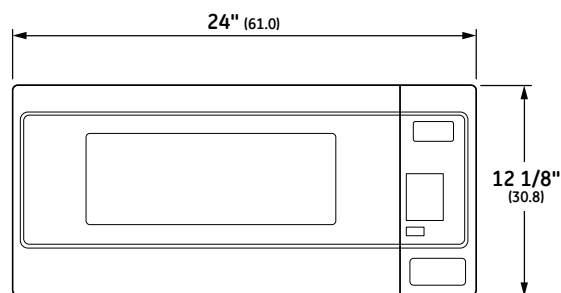




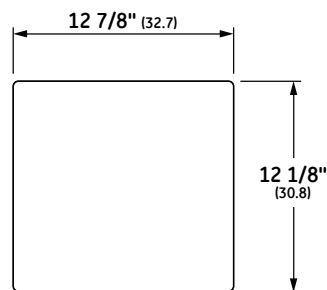
OVERALL DIMENSIONS

SPECIFICATIONS

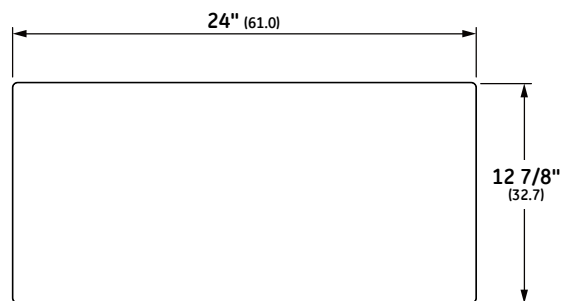
Overall Width	24" (61 cm)
Overall Height	12 1/8" (30.8 cm)
Overall Depth	12 7/8" (32.7 cm)
Interior Capacity	1.1 cu. ft. (.03 cu. m)
Watts	800
Volts/ Hertz/ Amps	120V/ 60 Hz / 13.9A
Power Cord	57" cord with 3-prong plug
Shipping Weight	34 lbs (15.4 kg)



FRONT VIEW



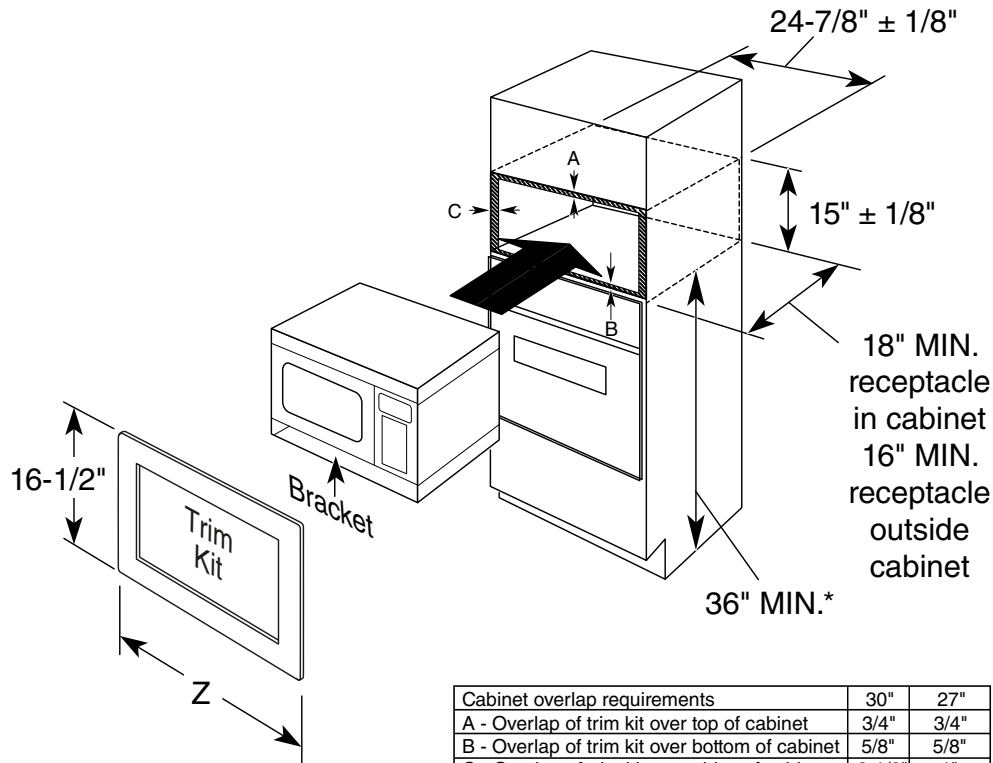
SIDE VIEW



TOP VIEW

Dimensions in parentheses are in centimeters unless otherwise noted. Actual product dimensions may vary due to manufacturing tolerances.

OPTIONAL ACCESSORY TRIM KITS INSTALLATION (ADDITIONAL COST)



Cabinet overlap requirements	30"	27"
A - Overlap of trim kit over top of cabinet	3/4"	3/4"
B - Overlap of trim kit over bottom of cabinet	5/8"	5/8"
C - Overlap of trim kit over sides of cabinet	2-1/2"	1"

*For ADA compliance, the microwave must be installed no higher than 37-7/8".

Note:
Allow an additional inch of clearance beyond trim frame on all sides

Accessory Trim Kits	Z
JX830	29-7/8"
JX827	26-7/8"

NOTES

For a custom built-in appearance, trim kits allow built-in installation of the countertop microwave oven into a wall or cabinet alone and are UL approved for installation over a GE® Series single electric wall oven. These kits should not be installed over a gas wall oven.

120V, 60-cycle, grounded power receptacle location optional on back within cabinet opening.

This information is not intended to be used for installing unit described. Before installing, consult installation instructions packed with the product/kit for current dimensional data.

FEATURES AND BENEFITS

1.1 cu. ft. capacity – 800 watts (IEC-705 test procedure)

Sensor cooking controls automatically adjust time and power

Optional built-in trim kit provides custom appearance and built-in convenience

Optional hanging kit frees up valuable counter space

Weight and Time Defrost - Simply enter the weight of the food, and the oven automatically sets the optimal defrosting time and power level, or set your desired time for defrosting

Turntable On/Off controls turntable operation

Control lockout helps prevent accidental activation

