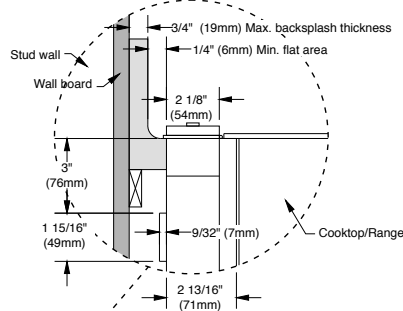
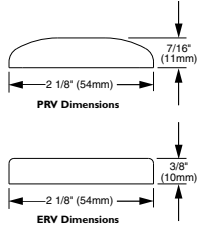
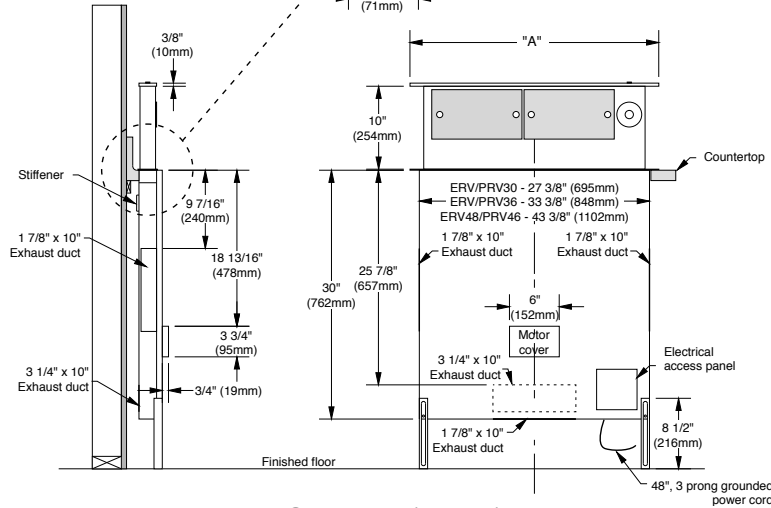


Range and Cooktop Downdraft Ventilation Specifications



Model	Width "A"
ERV30	30" (762mm)
ERV36	36" (914mm)
ERV48	48" (1219mm)
PRV30	30" (762mm)
PRV36	36" (914mm)
PRV46	46" (1168mm)



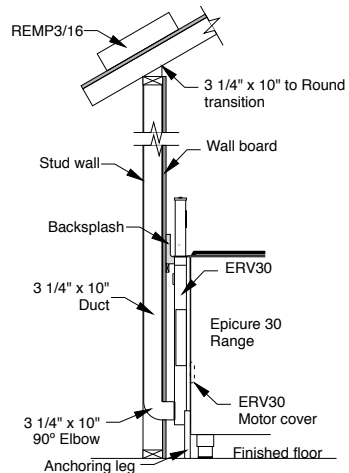
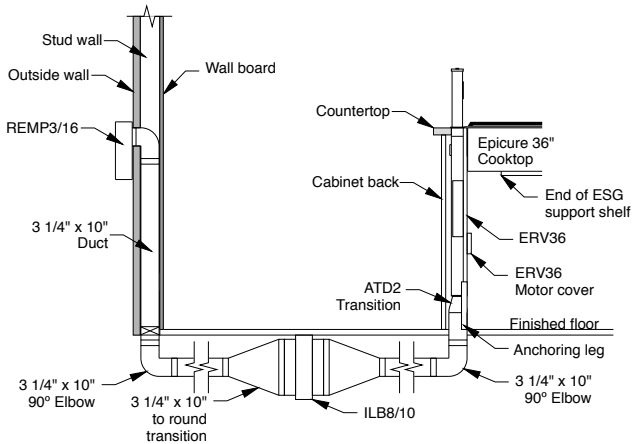
ERV Overall Dimensions

Remote or in line blower applications



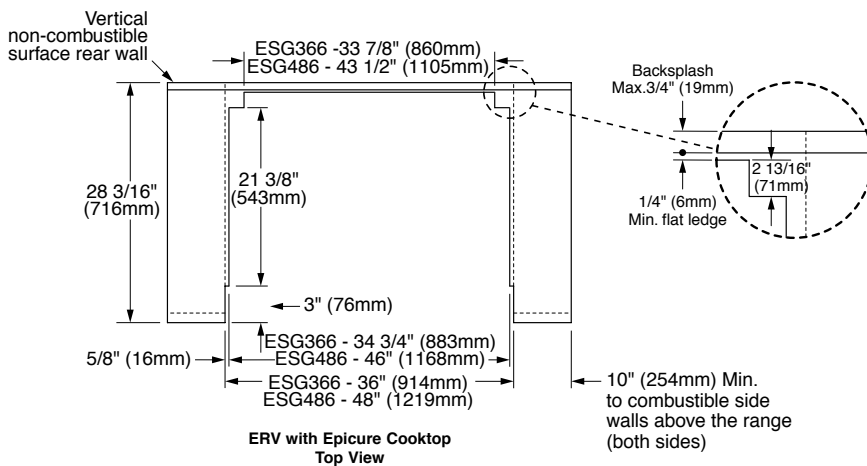
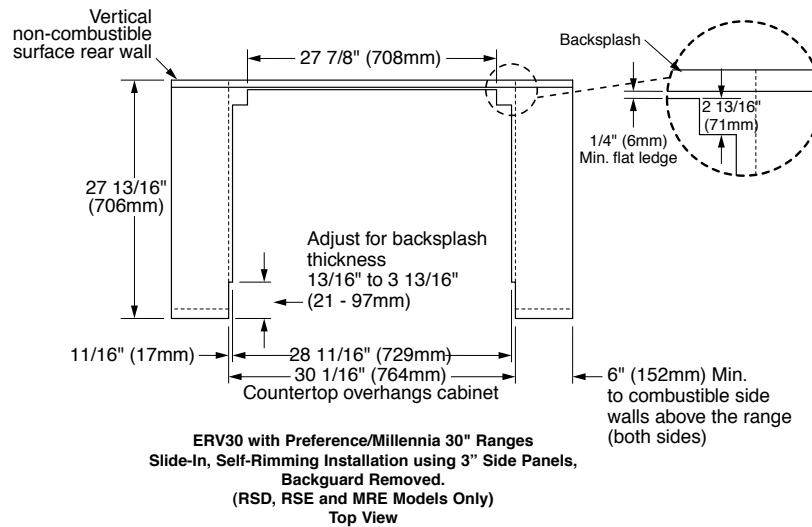
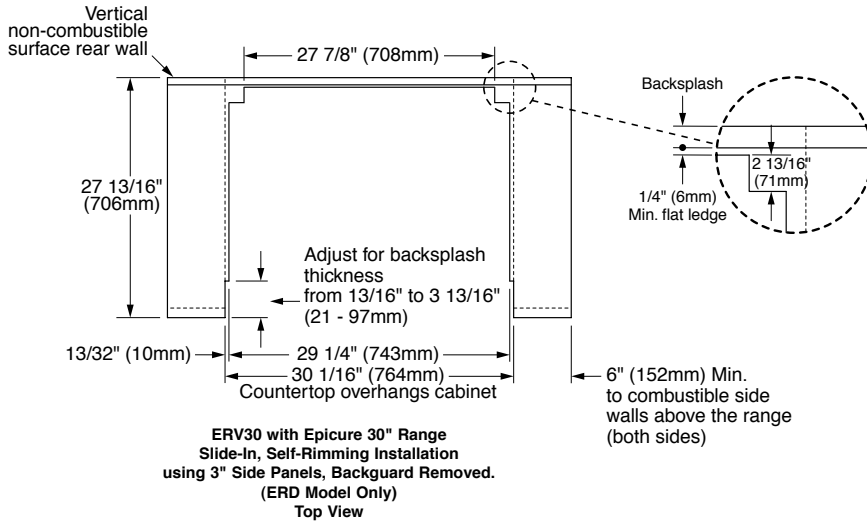
NOTES:

1. The Dacor custom transition ATD2 ships with each ERV and is used for the left, right or down ducting options. Rear ducting is designed for 3 1/4" x 10" rectangular duct.
2. The ATD2 transitions are equivalent to 4 straight feet.
3. The ILB8 & ILB10 Inline Blowers are only approved as a boost assist to the REMP3 and REMP16 Remote Blowers.





The life of the kitchen™



Specifications are subject to change without notice. See installation instructions for additional details.

Dacor®
www.dacor.com
Corporate Phone: 800-793-0093
Planning Faxback: 800-793-0093 ext. 3806