

Frigidaire

Factory Parts Catalog

Product No.	AFFC2528DW0
Series	134A
Color	white
Volts	115
Wiring Diagram	216901200
Owner's Guide	216960000
Market	North America
Energy Guide	216794606

 **Electrolux**

ELECTROLUX HOME PRODUCTS, INC.
P.O. Box 212378, Augusta, GA 30917

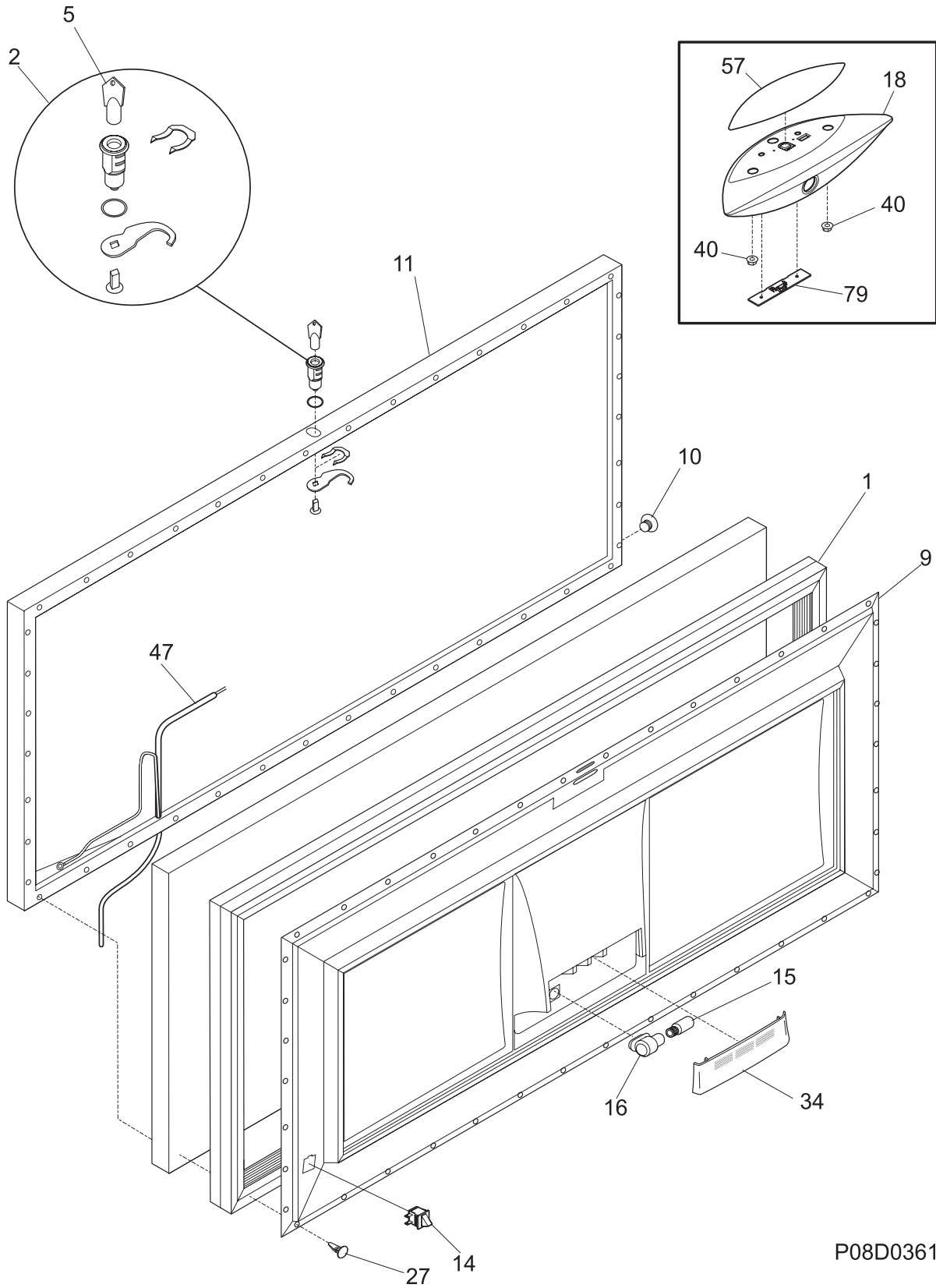
Publication No.
5995417416
04/09/29
(EN/SERVICE/MLR)
365

FREEZER CHEST

Model No.
AFFC2528DW

Copyright © 2004 Electrolux Home Products, Inc.
All rights reserved.

DOOR

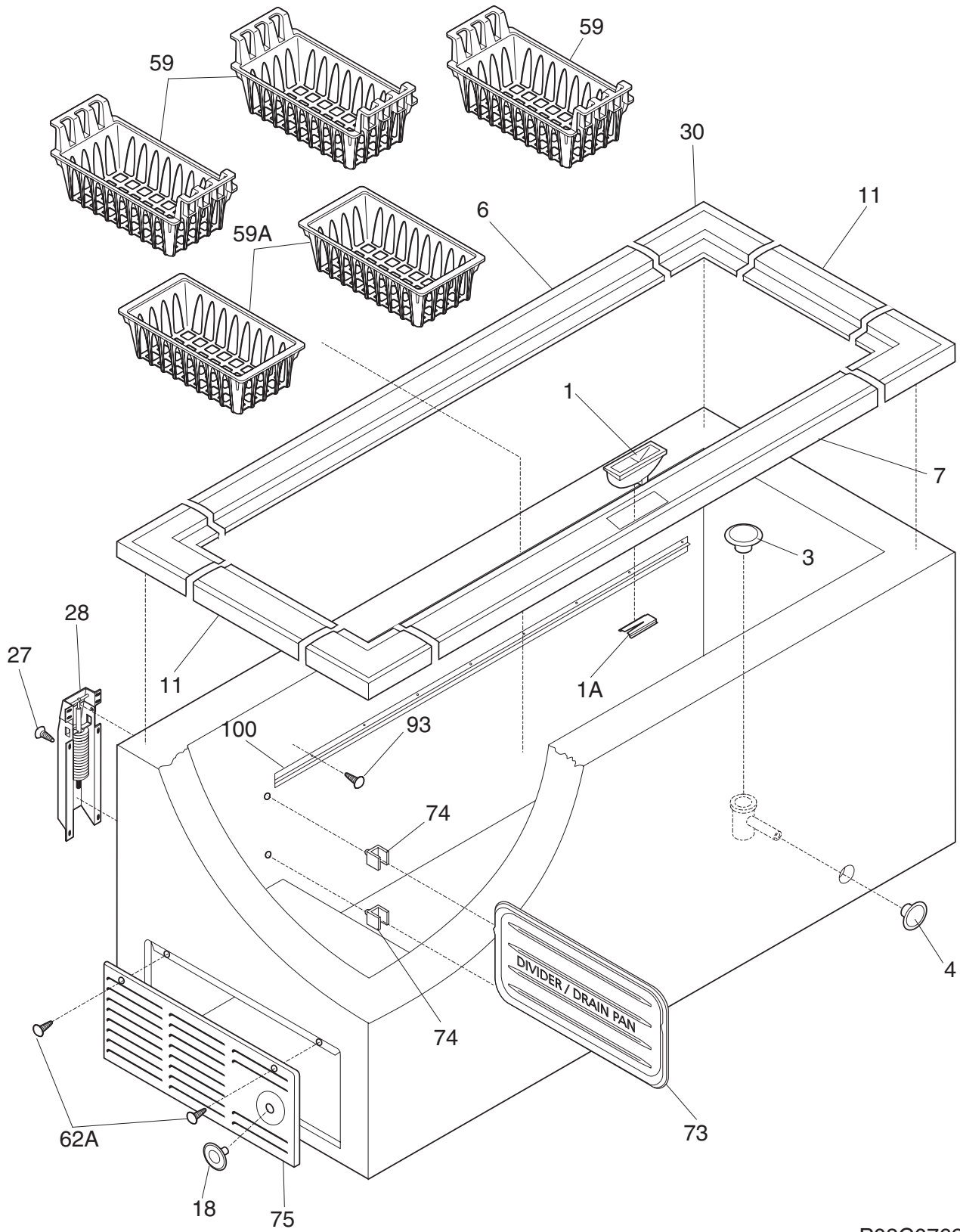


P08D0361

DOOR

POS. NO	PART NO.	DESCRIPTION
1	216469301	Gasket-door, white
2	5303925107	Lock Assy
5 #	216702900	Key, lock
9	216912900	Panel-lid, white
10	216923001	Plug button, 1/4", white
11	216032422	Lid, white
*	5303161215	Screw, ph truss head, 8-18AB x 0.500
14	216822900	Switch, light/lamp, ramp
15	216846400	Light Bulb/Lamp
16	216817600	Socket, light/lamp, 25 W
18	216897600	Handle, white
27	5303212828	Clip, panel mtg
34	216578503	Shield-light
40	216922700	Fastener, .330 dia stud, handle, (2)
47 #	216889600	Harness-lid
57	216899506	Overlay
79 #	216898700	Control Board, electronic
*	216905300	Screw, control board, #3-24 x .25, (3)
*	5303917276	Insulation-door, fiberglass, (bulk)

CABINET

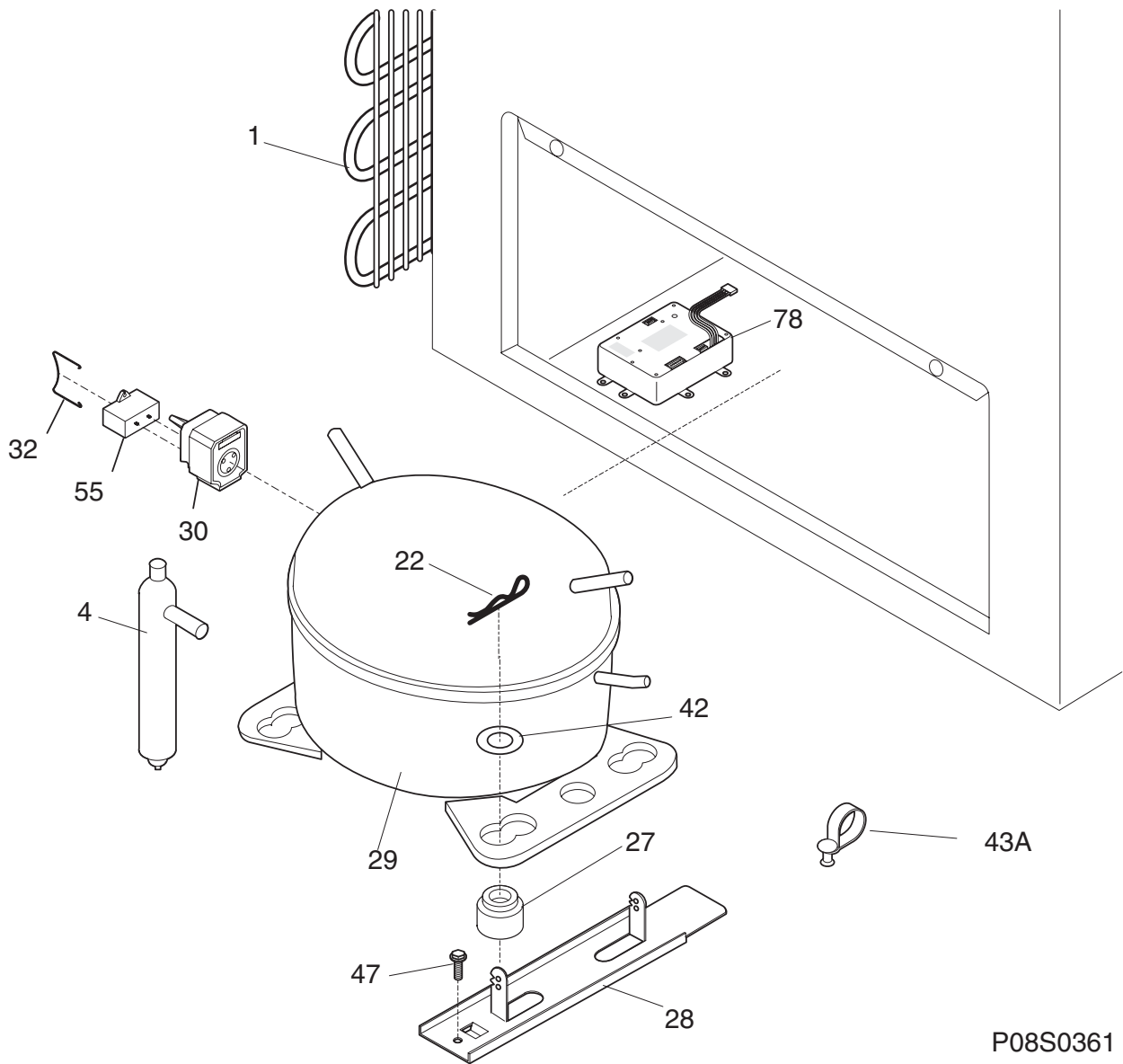
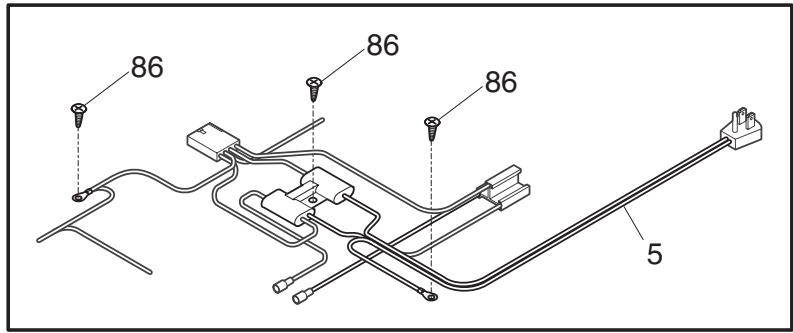


P08C0762

CABINET

POS. NO	PART NO.	DESCRIPTION
1	216909800	Catch-lock, white
1A	216818900	Support, lock catch clip
4	216073905	Plug-Drain exterior
3	216502600	Plug, drain, interior
6	216111400	Breaker-hinge side, white
7	216112000	Breaker-lock side, white
11	216110800	Breaker, chest end, (2)
18	216707200	Knob, temp control
21 #	216844500	Control-temperature
27	216629600	Screw, hex washer head, 10-16 x 0.500, tapping
28	216035400	Hinge
30	216110700	Breaker, corners
59	216916201	Basket, blue, upper, (3)
59A	216867401	Basket, blue, lower, (2)
62A	131420300	Screw, cr truss head, 8-18AB x 0.750
73	216128200	Divider/drain pan
74	216486700	Support, divider, (4)
75	216034301	Panel, access, white
93	5303161215	Screw, ph truss head, 8-18AB x 0.500
100	216205100	Track, basket
*	216794606	Energy Guide
*	5303305324	Paint, touch-up, white

SYSTEM



P08S0361

SYSTEM

POS. NO	PART NO.	DESCRIPTION
1 #	5300300173	Condenser
4	216634500	Drier-filter
5 #	216890300	Harness-main
5 *	216890200	Harness, low voltage-, w/thermistor
22	216056400	Clip, compressor mtg, SPRING
27	5308002681	Grommet, compressor
28	5303212615	Support, compressor
29 #	216784700	Compressor, w/o electricals
30	216649300	Controller-regulator LP
32	216649100	Clamp, elec cont mtg, compressor
42	216232700	Washer, flat, 1"OD x 0.531"ID
43A	5303212614	Clip, harness mount
47	216629600	Screw, hex washer head, 10-16 x 0.500, tapping
55	218909913	Capacitor-run, 220 VAC, 15 microfarad
78	216893100	Assy-High Voltage
86	216036600	Screw, ph washer head, 8-32CA x 0.500, thread forming
*	5303298960	Spacer-tube, 0.237" ID