

Product Collection



ICE MAKERS

WINE CAPTAIN® MODELS

COMBO® MODELS

REFRIGERATOR/FREEZER

REFRIGERATORS

DRAWERS

BEVERAGE CENTER



Table of Contents

Échelon Ice Makers	5-7
Échelon Wine Captain® Models	8-11
Échelon Combo® Models	12-15
Échelon Refrigerator/Freezer	16
Échelon Refrigerators	17-19
Échelon Stainless Steel	22-23
Échelon Specifications at a Glance	25
Échelon Features at a Glance	26-27
Origins Ice Makers	29
Origins Wine Captain® Models	30
Origins Combo® Models	31
Origins Refrigerators	32
Origins Beverage Center	33
Origins Specifications at a Glance	35
Origins Features at a Glance	36-37
Models at a Glance	38-39

for every day
FOR EVERY NIGHT
for every room
FOR EVERY MOOD
for every group
FOR EVERYONE
for every you
T H E R E I S A



Over the past four decades, U-Line has distinguished itself as the leader in built-in undercounter ice making, refrigeration and wine storage. Designing and manufacturing only undercounter products allows us to commit 100 percent of our resources to this market segment. With a list of system and design patents and an impressive number of world firsts, U-Line is dedicated to providing revolutionary innovations to the most diverse built-in undercounter ice making and refrigeration product line.

Jeff Culbertson • Interior Designer • Martin Perri Interiors • San Ramon, California





Échelon

Today, homeowners are designing their living spaces to accommodate their dynamic lifestyles and personal tastes. The Échelon Series transcends the boundaries of function and elevates these distinctive appliances to the level of art. Flowing contours and seamless styling enhance the appearance, creating a uniquely sophisticated and contemporary look.

The Échelon Series establishes a dynamic standard in built-in undercounter ice making, refrigeration and wine storage. Offering unparalleled choice, the line combines new technologies and inspired designs with all the superior benefits that are U-Line signatures.

CUSTOM DOORS Optional full overlay custom door panel or frame allows models to be integrated into the surrounding décor.

IN-DOOR STORAGE Removable shelves are adjustable and the contoured design offers storage for the widest variety of container sizes.

GLASS SHELVES Fully encapsulated to contain spills and contoured for a high style look.



DOORS AND DRAWERS Products are available with traditional right or left hand door swing and select models feature convenient double drawer access.

SLIDE-OUT WINE RACKS Full extension, maple-trimmed racks on Wine Captain® models are complemented by an exclusive fixed display rack to showcase special bottles.



STAINLESS STEEL A stainless steel cabinet, full-wrap door with finished corners and a sculpted stainless steel handle provide clean, seamless styling. Drawer models feature a black vinyl cabinet.

HIGH ENERGY EFFICIENCY Models offer both noise reduction and outstanding freezer and ice storage capacity.



▲
**BI•2015 and 2015R
Refrigerator shown
with full overlay
door panels.**

U-Line takes ice beyond necessity to luxury with the Échelon Series Ice Makers. Using less than three gallons of water to produce and store up to 25 pounds of ice, the BI•2015 boasts a graceful interior and exterior design.

BI•2015

D
E
S
I
G
N

H
I
G
H
L
I
G
H
T
S

- No drain required allows for easy, convenient, and inexpensive installation.
- Only requires a 1/4" outside diameter water line connection.
- Daily ice rate of up to 25 lbs.
- Stores up to 25 lbs. of ice.
- With a 3/4" overlay panel installation, allow for 135° door swing to ensure easy removal of the ice bin.

For additional feature information, see pages 4, 25-27.

Clear Ice Maker

The ultimate in clear ice makers, the CLR2060 produces elegantly shaped, crystal clear ice cubes. This model achieves the highest daily ice production of any ice maker in its class.

CLR2060 DAILY ICE PRODUCTION RATES

AIR TEMP./WATER TEMP.	DAILY ICE PRODUCTION
70°F/50°F	60 lbs. of ice
80°F/50°F	55 lbs. of ice
90°F/70°F	51 lbs. of ice
100°F/70°F	44 lbs. of ice

Production rates shown are average and variances are normal.

CLR2060 and 2015R ▶
Refrigerator shown with full overlay door panel.





Bon Marché Interiors • Elaine Hall Murray, CKD, ASID • Allied Member • Brisbane, CA

For those applications that do not have access to a gravity-assisted drain, a drain pump must be installed. We strongly recommend the use of our permanently lubricated P60 pump that does not require maintenance. Fully integrated with an automatic shut-off feature, the sealed pump prevents water overflow in the event of a power failure or restriction in the drain line.



◀ **CLR2060** framed by two 2075 Refrigerators, all with full overlay door panels.

CLR2060

**D
E
S
I
G
N

H
I
G
H
L
I
G
H
T
S**

- Quietest clear ice maker available.
- Highest daily ice rate up to 60 lbs.
- Stores up to 30 lbs. of ice.
- Produces 32 ice cubes (7/8" x 7/8" x 7/8") per cycle.
- Easy self-cleaning process takes less than 45 minutes.
- No defrosting required.
- Commercial grade, heavy duty circulation pump.
- Electronic Control Module monitors ice making operation to ensure maximum daily ice production.
- Heavy duty ice scoop.

For additional feature information, see pages 4, 25-27.

Wine Captain® Models



The first North American appliance manufacturer to develop a residential wine storage unit, U-Line has designed its Wine Captain models to impress and inspire anyone with an interest in wine by providing cellar conditions in stylish undercounter units.

2075WC • 2015WC

- Wine bottle capacity:
2075WC – 48 bottles (.75L).
2015WC – 24 bottles (.75L).
- Full extension slide out wine racks with black vinyl coating allow for easy access and prevent bottles from slipping.
- Gently curved maple-trimmed wine racks can be stained to match surrounding décor.
- Exclusive fixed lower wine rack display.
- Tinted, thermal-tempered glass door protects your wine collection from potentially harmful UV light rays.
- Adjustable on/off interior light for elegant bottle presentation when door is closed.

D
E
S
I
G
N
H
I
G
H
L
I
G
H
T
S

THE RIGHT TEMPERATURE FOR THE RIGHT WINE

TOP	Approximately 60°F (15°C) red wines
MIDDLE	50-55°F (10-12°C) white wines
BOTTOM	Approximately 45°F (7°C) sparkling wines

Ranges listed refer to product temperature.

◀ U-Line's unique triple temperature zone design allows housing three different types of wine at their optimum serving temperatures or safely storing a single type of wine throughout the entire cabinet.



For additional feature information, see pages 4, 25-27.

Donna Pedersen, Designer/Developer • Epiphany Creators • Pleasanton, CA

Wine Captain® Models

Full Overlay Frame

U-Line gives wine appreciation an entirely new frame of reference with a distinctive look for the Échelon Wine Captain models. The Full Overlay Frame Edition provides an opportunity to personalize Wine Captain models with the style and grace of custom cabinetry.



2075WCOL • 2015WCOL

- D**
- Accepts a custom 2 1/4" wood full overlay frame.
- E**
- A wood full overlay frame MUST be installed on these models.
- S**
- Zero clearance with a 3/4" thick frame.
- I**
- Wine bottle capacity:
2075WCOL—48 bottles (.75L).
2015WCOL—24 bottles (.75L).
- G**
- Full extension slide out wine racks with black vinyl coating allow for easy access and prevent bottles from slipping.
- N**
- Gently curved maple-trimmed wine racks can be stained to match surrounding décor.
- H**
- Exclusive fixed lower wine rack display.
- I**
- Tinted, thermal-tempered glass door protects your wine collection from potentially harmful UV light rays.
- G**
- Adjustable on/off interior light for elegant bottle presentation when door is closed.
- H**
- L**
- I**
- G**
- H**
- T**
- S**

For additional feature information, see pages 4, 25-27.

Wine Captain® Drawer



◀ **Three-bottle wine caddy slides out on either side of the unit for easy wine transport.**



◀ **TouchSensor™ digital control technology puts the ability to see and set the temperature at your fingertips.**



Maple-trimmed cascading wine racks present bottles with a clear view of the labels and provide easy access.

2075DWRWC

- **W**ine bottle capacity of 43 standard .75L bottles.
- **T**emperature in each drawer can be set independently between 40 - 60 degrees.
- **I**nterior lights can be illuminated in each or both drawers for elegant bottle presentation when door is closed.
- **W**ine racks are black vinyl coated to prevent bottles from slipping.
- **T**inted, thermal-tempered glass door protects your wine collection from potentially harmful UV light rays.
- **P**roduct designed for built-in installation – anchoring required.

**D
E
S
I
G
N

H
I
G
H
L
I
G
H
T
S**

U-Line continues its rich tradition of innovative appliances and industry firsts with the exclusive two-drawer Wine Captain model. More than your standard cellar, this stylish product features glass front drawers as well as many impressive features. Individual temperature zones allow you to house different types of wine in each drawer and set separate temperatures accordingly.

For additional feature information, see pages 4, 25-27.



Combo® Model

Ice Maker/Refrigerator

CO2075FF

D
E
S
I
G
N

H
I
G
H
L
I
G
H
T
S

- Patented *frost-free* technology.
- No drain allows for easy, convenient and inexpensive installation.
- Only requires a 1/4" outside diameter water line connection.
- Daily ice rate up to 8 lbs.
- Stores 13 lbs. of ice.
- Refrigeration capacity 4.2 cubic feet.
- Exclusive removable clear crisper drawer optimizes product storage.
- Unique adjustable indoor storage shelves accommodates larger containers – even a two-liter bottle.



Donna Pedersen, Designer/Developer • Epiphany Creators • Pleasanton, CA

In one unit, the Combo model offers both abundant ice supply and generous refrigeration capacity, while giving you the convenience of frost-free technology.

For additional feature information, see pages 4, 25-27.

Clear Combo® Model

Clear Ice Maker/Refrigerator

Combining the luxury of clear ice with the convenience of a refrigerator in just 24 inches of space, the Échelon Clear Combo model is the only innovation of its kind in the appliance market.

For those applications that do not have access to a gravity-assisted drain, a drain pump must be installed.

Please see page 7 for more information.



Jeff Culbertson • Interior Designer • Martin Perri Interiors • San Ramon, California

CLRCO2075

D E S I G N H I G H L I G H T S

- Unique product, exclusive to U-Line.
- No defrosting required.
- Daily ice rate up to 40 lbs.
- Stores 15 lbs. of ice.
- Produces 32 ice cubes (7/8" x 7/8" x 7/8") per cycle.
- Easy self cleaning process takes less than 45 minutes.
- Commercial grade, heavy duty circulation pump.
- Heavy duty ice scoop.
- Refrigeration capacity 2.5 cubic feet.
- Digital controller makes setting and seeing the temperature effortless.
- User-friendly diagnostic indicator lights.

For additional feature information, see pages 4, 25-27.

Combo® Drawer Refrigerator/Freezer/Ice Maker

The U-Line exclusive Combo Drawer model delivers three appliances in one innovative package. This two-drawer unit has it all, refrigeration, freezer and ice making capacity, uniting convenience, performance and style. Just what your kitchen (and beyond) has been craving.





Lower drawer houses both the ice maker and freezer. Freezer maintains
 ◀ **temperatures between -5° - 0° F.**



Clear Top Organizer Bin puts food, wine and two-liter bottles within easy reach. Easily adjustable Slide & Divide Organizer keeps items of different sizes conveniently in place throughout the rest of the drawer.



CO2075DWR

**D
E
S
I
G
N
H
I
G
H
L
I
G
H
T
S**

- Patented *frost-free* technology.
- Daily ice rate of up to 6 lbs./stores up to 10 lbs. of ice.
- Top drawer is dedicated to refrigeration with exclusive organizational features.
- Lower drawer equipped with ice maker and functional frozen food storage.
- Cubic capacity:
Top - approx. 2 cubic ft.
Lower - approx. 3 cubic ft.
- Digital control provides a temperature reading for each drawer.
- Black models are equipped with $\frac{3}{4}$ " full overlay capabilities for ease of installation.
- Product designed for built-in installation – anchoring required.

If $\frac{3}{4}$ " full overlay panels are not installed on black models, integrated handles must be ordered (P/N: 11926-4-BLK) – one for each drawer.

For additional feature information, see pages 4, 25-27.

Refrigerator/Freezer



The 2075RF offers the flexibility of having both refrigerated and frozen items whenever they are needed. This is the industry's only built-in undercounter refrigerator/freezer with frost-free technology.

▲ *The exclusive vertical freezer design, upper left corner, allows for a wider variety of storage possibilities such as frozen pizzas or a half gallon container of ice cream.*

2075RF

- Patented *frost-free* technology.
- Quiet operation.
- Exclusive removable clear crisper drawer optimizes product storage.
- Unique adjustable in door storage shelves accommodates larger containers – even a two-liter bottle.
- Freezer maintains 0° F to +5° F.
- Refrigeration capacity of 4.2 cubic feet, freezer capacity of 1.5 cubic feet.

D
E
S
I
G
N
H
I
G
H
L
I
G
H
T
S

▼ *2075RF shown with full overlay door panel.*



For additional feature information, see pages 4, 25-27.

Refrigerators



◀ **Fully encapsulated contoured glass shelves contain spills.**

Clear removable crisper drawer optimizes product storage.



Échelon Refrigerators are the ultimate in convenience. From in-door storage that is specifically designed to hold a two-liter bottle (2075R) and gracefully curving, fully encapsulated glass shelves to optional full overlay door panels.



2075R • 2015R

D
E
S
I
G
N

H
I
G
H
L
I
G
H
T
S

- Automatic defrost.
- Refrigeration capacity 2075R - 5.7 cubic feet.
- Refrigeration capacity 2015R - 3.3 cubic feet.
- Quiet operation.
- ENERGY STAR qualified refrigerators include 2075R and 2015R.



For additional feature information, see pages 4, 27-31.

Refrigerator Drawer



Offering 30% more capacity than other drawer models available, in only 24 inches of space, U-Line has revolutionized this category. What makes this unit truly leading edge is the three-piece organizing system that maximizes internal storage while keeping items in place and within easy reach.

Organizer 1: Crisper

The clear crisper in the bottom drawer slides out on either side of the unit for flexible accessibility. The clear glass crisper shelf provides a view of its contents and is completely removable to allow storage of tall items.

2075DWR

- Greatest internal capacity of any drawer model in the industry.
- Unique, three-piece organizing system increases storage capacity.
- Sleek, stainless steel interior.
- Digital controller makes setting and seeing the temperature effortless.
- Automatic defrost.
- Full extension heavy duty drawer slides allow easy accessibility to back of drawers.
- Black models are equipped with $\frac{3}{4}$ " full overlay capabilities for ease of installation.
- Product designed for built-in installation – anchoring required.

D
E
S
I
G
N
H
I
G
H
L
I
G
H
T
S

For additional feature information, see pages 4, 25-27.



Organizer 2: Top Bin

The clear top organizer bin accommodates food as well as wine and two-liter bottles. Located at the rear of the drawer, the bin slides smoothly allowing easy accessibility to all items in or underneath the bin.

If $\frac{3}{4}$ " full overlay panels are not installed on black models, integrated handles must be ordered (P/N: 11926-4-BLK) – one for each drawer.



◀ **Organizer 3: Slide & Divide**

The adjustable Slide & Divide drawer organizer securely holds items of different sizes such as meats, cheeses, beverages and even tall items such as milk and orange juice.

Slide & Divide fits into the top or bottom drawer (shipped in top drawer).

Shapell Industries of Northern California, Milpitas, California







Stainless Steel



▲ Maple-trimmed slide out wine racks in 2075WC Wine Captain.

U-Line has taken the Échelon Stainless Series to a new level by defining most models with a full-wrap stainless steel cabinet and full-wrap door with seamless styling. A sculpted stainless handle accents the design on these models. The stainless trim on the Wine Captain models' glass door creates the same smooth appearance. All Échelon Stainless Steel drawer models feature a black vinyl cabinet.

To accommodate different design and installation needs, stainless steel models must be ordered right or left hand door hinged, with the exception of drawer models. Échelon Stainless Series will not accommodate a door panel.

CO2075FF Combination Ice Maker/Refrigerator. ▼

STAINLESS STEEL

- BI•2015
- CLR2060
- 2075WC
- 2015WC
- CO2075FF
- CLRCO2075
- 2075RF
- 2075R
- 2015R
- 2075DWRR
- 2075DWRWC
- CO2075DWR

P
R
O
D
U
C
T
S

• ENERGY STAR qualified refrigerators include 2075R and 2015R.



For additional feature information, see pages 4, 25-27.



Donna Pedersen, Designer/Developer • Epiphany Creators • Pleasanton, CA



▲
2075R Refrigerator

Outdoor Stainless Steel

Indulgences in today's entertaining environments extend beyond the confines of traditional boundaries. Indoors or out, the Échelon Stainless Series can take you from sunrise to sunset.

For over 40 years, U-Line refrigeration products have been used in outdoor applications. Many Échelon Stainless Steel models are deemed suitable for outdoor use by UL.

Ambient temperature and humidity may affect performance. It is recommended that the units be installed under a counter or shelter.

- The following stainless steel models are deemed suitable for outdoor use by UL.

O
U
T
D
O
O
R
P
R
O
D
U
C
T
S

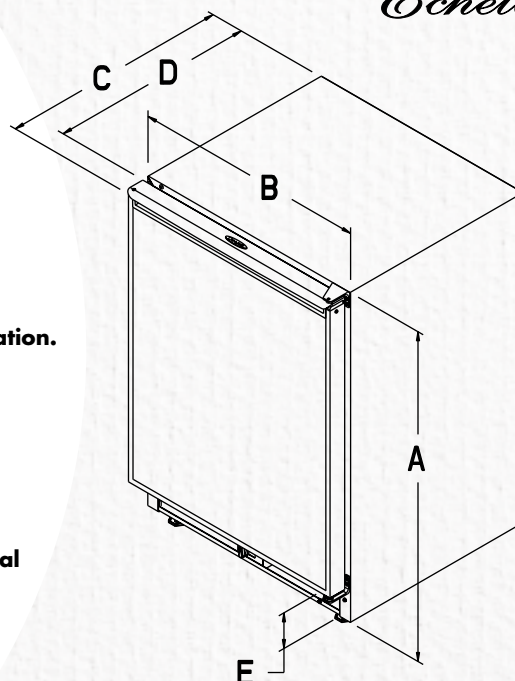
- BI•2015
- CLR2060
- CO2075FF
- 2075RF
- 2075R
- 2015R
- Approximate ambient temperatures for outdoor use range from 50°F–110°F.
- Proper cleaning maintenance required on outdoor models.
- ENERGY STAR qualified refrigerators include 2075R and 2015R.



For additional feature information, see pages 4, 25-27.



Specifications at a Glance



- When built-in, U-Line products do not require additional air space for ventilation on top, sides or rear. Front grille (E) must be unobstructed for proper ventilation.
- Installation requirement: **MUST** add 1/4" to overall width for proper installation.
- All Échelon products have up to a one inch height extension.
- For CLR2060 and CLRCO2075, depth with door includes drain tube.
- For detailed specification drawing on a particular model, please visit www.u-line.com or call U-Line directly.
- Panel specifications: Please visit www.u-line.com, refer to our User's Manual or call U-Line for detailed preparation & installation instructions prior to ordering panels, full overlay panels and/or full overlay frames.

	MODEL NUMBER	A CABINET HEIGHT	B CABINET WIDTH	C DEPTH W/DOOR	D DEPTH W/O DOOR	E GRILLE HEIGHT
ICE MAKERS	CLR2060	34 1/8" (86.7 cm)	14 15/16" (37.8 cm)	24" (61.0 cm)	21 3/4" (55.2 cm)	3 3/8" (8.6 cm)
	BI-2015	34 1/8" (86.7 cm)	14 15/16" (37.8 cm)	23 11/16" (60.2 cm)	21 7/16" (54.5 cm)	3 3/8" (8.6 cm)
WINE CAPTAIN® MODELS	2075WC	34 1/8" (86.7 cm)	23 15/16" (60.6 cm)	23 1/4" (59.1 cm)	21" (53.3 cm)	3 3/8" (8.6 cm)
	2015WC	34 1/8" (86.7 cm)	14 15/16" (37.8 cm)	23 1/4" (59.1 cm)	21" (53.3 cm)	3 3/8" (8.6 cm)
	2075WCOL	34 1/8" (86.7 cm)	23 15/16" (60.6 cm)	23 1/4" (59.1 cm)	21" (53.3 cm)	3 3/8" (8.6 cm)
	2015WCOL	34 1/8" (86.7 cm)	14 15/16" (37.8 cm)	23 1/4" (59.1 cm)	21" (53.3 cm)	3 3/8" (8.6 cm)
COMBO® MODELS	CO2075FF	34 1/8" (86.7 cm)	23 15/16" (60.6 cm)	23 11/16" (60.2 cm)	21 7/16" (54.5 cm)	3 3/8" (8.6 cm)
	CLRCO2075	34 1/8" (86.7 cm)	23 15/16" (60.6 cm)	24" (61.0 cm)	21 3/4" (55.2 cm)	3 3/8" (8.6 cm)
REFRIGERATOR/FREEZER	2075RF	34 1/8" (86.7 cm)	23 15/16" (60.6 cm)	23 1/4" (59.1 cm)	21" (53.3 cm)	3 3/8" (8.6 cm)
REFRIGERATORS	2075R	34 1/8" (86.7 cm)	23 15/16" (60.6 cm)	23 1/4" (59.1 cm)	21" (53.3 cm)	3 3/8" (8.6 cm)
	2015R	34 1/8" (86.7 cm)	14 15/16" (37.8 cm)	23 1/4" (59.1 cm)	21" (53.3 cm)	3 3/8" (8.6 cm)
REFRIGERATOR DRAWER	2075DWRR	34 1/8" (86.7 cm)	23 15/16" (60.6 cm)	23 1/4" (59.1 cm)	21" (53.3 cm)	3 3/8" (8.6 cm)
WINE CAPTAIN® DRAWER	2075DWRWC	34 1/8" (86.7 cm)	23 15/16" (60.6 cm)	23 1/4" (59.1 cm)	21" (53.3 cm)	3 3/8" (8.6 cm)
COMBO® DRAWER	CO2075DWR	34 1/8" (86.7 cm)	23 15/16" (60.6 cm)	23 1/4" (59.1 cm)	21" (53.3 cm)	3 3/8" (8.6 cm)

U-LINE EXTENDED WARRANTY

U-Line's commitment to provide premium quality products and greater value for our customers is reflected in our extended warranty.

FULL ONE YEAR WARRANTY - From the date of purchase, U-Line covers all parts and labor required to repair or replace any product, sold and serviced within the United States and Canada, which proves to be defective in materials or workmanship.

FULL FIVE YEAR WARRANTY - From the date of purchase, U-Line covers all parts and labor to repair or replace any components that prove to be defective in the sealed system (consisting of the compressor, condenser, evaporator, bypass valve, the dryer and connecting tube) for all products sold and serviced within the United States and Canada.

See Warranty for complete details.

Specifications subject to change without notice.

Échelon Features at a Glance

	MODEL NUMBER	BLACK	WHITE	STAINLESS STEEL	NO DRAIN REQUIRED	DAILY ICE PRODUCTION	ICE CUBE STORAGE CAPACITY	REFRIGERATION CAPACITY	
ICE MAKERS	CLR2060	•	•	•		60 lbs. (27 Kg)	30 lbs. (14 Kg)		
	BI•2015	•	•	•	•	25 lbs. (11 Kg)	25 lbs. (11 Kg)		
WINE CAPTAIN® MODELS	2075WC+	•	•	•	•				
	2015WC+	•	•	•	•				
	2075WCOL+	•			•				
	2015WCOL+	•			•				
COMBO® MODELS	CO2075FF	•	•	•	•	8 lbs. (4 Kg)	13 lbs. (6 Kg)	4.2 cu. ft. (119 L)	
	CLRC02075	•	•	•		40 lbs. (18 Kg)	15 lbs. (7 Kg)	2.5 cu. ft. (71 L)	
REFRIGERATOR/FREEZER	2075RF	•	•	•	•			4.2 cu. ft. (119 L)	
REFRIGERATORS	2075R	•	•	•	•			5.7 cu. ft. (161 L)	
	2015R	•	•	•	•			3.3 cu. ft. (93 L)	
REFRIGERATOR DRAWER	2075DWRR	•		•	•			5.5 cu. ft. (156 L)	
WINE CAPTAIN® DRAWER	2075DWRWC	•		•	•				
COMBO® DRAWER	CO2075DWR	•		•	•	6 lbs. (3 Kg)	10 lbs. (5 Kg)	3.0 cu. ft. (84 L)	



+ If you choose to apply stain to the wood trim of the Wine Captain racks, please consult User's Manual or contact U-Line first.

ELECTRICAL REQUIREMENTS: All products available in 110/115 voltage 60 cycle. Optional 220/230 voltage 50/60 cycle noted on specific products. At 220V, the amps are decreased by approximately 50 percent.

DOOR CLEARANCE INFORMATION:

- Zero clearance on all Échelon black or white units when installed with custom panels.
- Allow 2 1/2" clearance, on hinge side, for a 90 degree door opening when installed against a wall on all Échelon Stainless Steel models.

	FREEZER CAPACITY	WINE BOTTLE CAPACITY	DEFROST TECHNOLOGY*	OPTIONAL 3/4" OVERLAY PANEL**	ACCEPTS 1/4" DOOR PANEL***	FIELD REVERSIBLE DOOR EXCLUDING ÉCHELON STAINLESS	OPTIONAL DOOR LOCK****	REMOVABLE, CONTOURED IN-DOOR STORAGE	IN-DOOR STORAGE STORES TWO-LITER BOTTLE	ENCAPSULATED GLASS SHELVES	INTERIOR LIGHT	CLEAR CRISPER DRAWER	SELF CLOSING DOOR MECHANISM	ADJUSTABLE TEMPERATURE CONTROL	ADJUSTABLE LEVELING LEGS	ENERGY STAR QUALIFIED REFRIGERATOR	220/230V 50/60 Hz CE MARK	RUN AMPS	MAX START AMPS	UL LISTED: USA & CANADA	OUTDOOR***** — STAINLESS STEEL ONLY	APPROXIMATE SHIPPING WEIGHT
			F	•	•	•							•		•			4.0	25.0	•	•	109 lbs. (49 Kg)
			M	•	•	•							•	•	•		•	2.5	18.0	•	•	92 lbs. (42 Kg)
		48	A			•					•		•	•	•		•	2.4	9.0	•		137 lbs. (62 Kg)
		24	A			•					•		•	•	•		•	2.4	9.0	•		106 lbs. (48 Kg)
		48	A	++		•					•		•	•	•		•	2.4	9.0	•		136 lbs. (62 Kg)
		24	A	++		•					•		•	•	•		•	2.4	9.0	•		102 lbs. (46 Kg)
			F	•	•	•	•	•	•	3	•	•	•	•	•			2.5	6.5	•	•	142 lbs. (64 Kg)
			A	•	•	•		•		3	•		•	•	•			4.0	25.0	•		148 lbs. (67 Kg)
	1.5 cu. ft. (42 L)		F	•	•	•	•	•	•	3	•	•	•	•	•			2.5	6.5	•	•	138 lbs. (63 Kg)
			A	•	•	•	•	•	•	3	•	•	•	•	•			2.4	9.0	•	•	125 lbs. (57 Kg)
			A	•	•	•		•		3	•		•	•	•			2.4	9.0	•	•	91 lbs. (41 Kg)
			A	++	+++						2	•	•	•	•			2.4	6.0	•		153 lbs. (69 Kg)
		43	A								2		•	•	•			2.4	5.5	•		163 lbs. (74 Kg)
	2.0 cu. ft. (56 L)		F	++	+++						2		•	•	•			2.5	26.0	•		168 lbs. (76 Kg)

*** DEFROST TECHNOLOGY**

- M • Manual Defrost
- A • Automatic Defrost
- F • Frost-Free

** Optional 3/4" overlay panel requires separate purchase of a kit (P/N: U-OL2075, U-OL2015, specify black or white).

*** All models except Wine Captain® models and Échelon Stainless Series accept 1/4" door panel.

++ Models come standard with overlay kits installed. WCOL models are unfinished; a full custom overlay frame MUST be installed.

**** No lock available on stainless models. Échelon lock models have a field reversible door.

+++ Optional 1/4" door panel requires separate purchase of integrated handles (P/N: 11926-4-BLK) – one for each drawer.

***** Models listed deemed suitable for outdoor use by UL.

Origins



eginnings of a Tradition

For over a decade, the models comprising the U-Line Origins Series have defined built-in undercounter ice making, refrigeration and wine storage. Sophisticated international styling, superior features and reliability continue to set these products apart as they complete the broad U-Line offering.

Ice Makers

As developer and manufacturer of the world's first built-in undercounter residential and light commercial ice maker, U-Line has always been at the forefront of the industry. The Origins BI Series Ice Makers offer exceptional installation ease and flexibility.



◀ **BI-95 shown with 1/4" custom door panel.**

BI-95 • BI-98

D
E
S
I
G
N

H
I
G
H
L
I
G
H
T
S

- No drain required allows for easy, convenient, and inexpensive installation.
- Only requires a 1/4" outside diameter water line connection.
- Daily ice rate of up to 25 lbs.
- Ice storage capability:
BI-98: 25 lbs. of ice.
BI-95: 12 lbs. of ice.
- Uses less than three gallons of water for approximately 22 lbs. of ice and minimal electricity.
- Meets Americans with Disabilities Act (ADA) height requirements.

For additional feature information, see pages 35-37.

Wine Captain® Models

Bringing the convenience of a personal wine cellar to any location in the home, U-Line Wine Captain models are perfect companions for entertaining — or just relaxing. These graceful models make storing, presenting and sharing wine effortless and elegant.

75WC • 15WC

D
E
S
I
G
N
H
I
G
H
L
I
G
H
T
S

- Wine bottle capacity:
75WC – 60 bottles (.75L).
15WC – 32 bottles (.75L).
- Stainless steel canted fixed wine racks.
- Tinted, thermal-tempered glass door protects your wine collection from potentially harmful UV light rays.
- Adjustable on/off interior light for elegant bottle presentation when door is closed.
- Available in black or with a stainless steel-like brushed aluminum door frame and black vinyl cabinet.
- Door lock is standard.

All Wine Captain models offer versatility in storage, housing three different types of wine at their optimum serving temperatures or safely storing a single type of wine throughout the entire cabinet.

UNIQUE TRIPLE TEMPERATURE ZONES ENSURE THE RIGHT TEMPERATURE FOR THE RIGHT WINE

TOP Approximately 60°F (15°C)
red wines

MIDDLE 50-55°F (10-12°C)
white wines

BOTTOM Approximately 45°F (7°C)
sparkling wines

Ranges listed refer to product temperature.

Midwest Living Idea House • Architecture & Construction by Lakeside Development Co. • Mequon, WI



Combo® Models

Ice Maker/Refrigerator

Entertaining couldn't be easier. The Origins Combo Ice Maker/Refrigerator models combine the convenience of abundant ice supply and refrigeration capacity. Choose between two different defrost technologies depending on your lifestyle. The C029FF offers the convenience of frost-free technology while producing eight pounds of ice daily. Our manual defrost combo units, C075 and C029, produce up to 18 pounds of ice daily.



▲ C029FF (left) and 75R Refrigerator (right) shown with 1/4" custom door panel.

With left hand door swing ► installation, allow for 145° door swing to ensure easy removal of the ice bin.



C029FF • C075 • C029

D E S I G N H I G H L I G H T S

- Patented *frost-free* technology — C029FF.
- Manual defrost technology — C029 and C075.
- No drain allows for easy, convenient and inexpensive installation.
- Only requires a 1/4" outside diameter water line connection.
- Daily ice rate/storage:
C029FF — 8 lbs./13 lbs.
C029, C075 — 18 lbs./13 lbs.
- Refrigeration capacity:
C029FF, C029 — 2.1 cubic feet.
C075 — 4.2 cubic feet.
- C029FF and C029 meet ADA height requirements.

For additional feature information, see pages 35-37.

Refrigerators



75R • 15R • 29R

- Automatic defrost.
- Refrigeration capacity:
75R – 6 cubic feet.
29R – 3.5 cubic feet.
15R – 3.5 cubic feet.
- 29R meets ADA height requirements.
- Stainless steel models 75R and 15R have a black cabinet and grille, stainless steel door panel and stainless like brushed aluminum door frame and handle.

D
E
S
I
G
N

H
I
G
H
L
I
G
H
T
S

- ENERGY STAR qualified refrigerators include 75R, 29R and 15R.



75R shown with 1/4" custom door panel.

Featuring the widest selection of refrigerators, U-Line offers the most usable refrigeration capacity, bright and open interiors, flexible shelf locations and in-door storage with flexible clear bottle retainers.

For additional feature information, see pages 35-37.

Beverage Center

Two full extension slide out wine racks provide added convenience.



◀ 75BEV Beverage Center.

75BEV

- D
E
S
I
G
N

H
I
G
H
L
I
G
H
T
S**
- Refrigeration capacity of 6 cubic feet.
 - Wine bottle capacity: 16 bottles (.75L).
 - Approximate temperatures: Wine racks – 45° F. Glass shelves – 38° F.
 - Maple-trimmed wine racks can be stained to match surrounding décor.
 - Two removable glass shelves.
 - Commercial style door and handle.
 - Must be ordered right or left hand door hinged.

For additional feature information, see pages 35-37.

The U-Line Beverage Center outfits any room with the amenities that make entertaining easier and life more enjoyable. Designed to accommodate different sizes and types of beverages, this attractive appliance puts convenience within arm's reach.

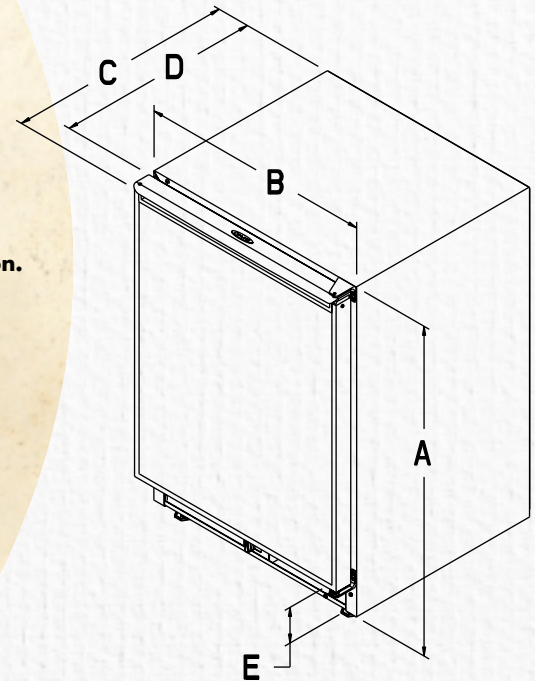
Warmington Homes of California, Costa Mesa, California



*75R Refrigerator shown with
1/4" custom door panel.*

Specifications at a Glance

- When built-in, U-Line products do not require additional air space for ventilation on top, sides or rear. Front grille (E) must be unobstructed for proper ventilation.
- Installation requirement: **MUST** add 1/4" to overall width for proper installation.
- Origins 75WC, 15WC, C075, 75R, 15R and 75BEV have up to a one inch height extension.
- For BI•98 and BI•95, add 1 1/2" to depth for water line connection.
- For detailed specification drawing on a particular model, please visit www.u-line.com or call U-Line directly.
- Panel specifications: Please visit www.u-line.com, refer to our User's Manual or call U-Line for detailed preparation & installation instructions prior to ordering panels, full overlay panels and/or full overlay frames.



	MODEL NUMBER	A CABINET HEIGHT	B CABINET WIDTH	C DEPTH W/DOOR	D DEPTH W/O DOOR	E GRILLE HEIGHT
ICE MAKERS	BI•98	27 3/8" (69.5 cm)	14 15/16" (37.8 cm)	20" (50.8 cm)	17 3/8" (44.1 cm)	8 3/4" (22.2 cm)
	BI•95	24 3/4" (62.9 cm)	13 15/16" (35.1 cm)	17" (43.2 cm)	14 3/8" (36.5 cm)	8 1/2" (21.6 cm)
WINE CAPTAIN® MODELS	75WC	34 1/8" (86.7 cm)	23 15/16" (60.6 cm)	23 7/16" (59.5 cm)	20 7/8" (53.0 cm)	3 1/8" (7.9 cm)
	15WC	34" (86.4 cm)	14 15/16" (37.8 cm)	23 1/8" (58.7 cm)	20 5/8" (52.4 cm)	3 1/8" (7.9 cm)
COMBO® MODELS	C075	34 1/8" (86.7 cm)	23 15/16" (60.6 cm)	24" (61.0 cm)	21 7/16" (54.5 cm)	3 1/8" (7.9 cm)
	C029FF	28 1/2" (72.4 cm)	20 13/16" (52.9 cm)	24" (61.0 cm)	21 7/16" (54.5 cm)	4 1/2" (11.4 cm)
	C029	28 1/2" (72.4 cm)	20 13/16" (52.9 cm)	24" (61.0 cm)	21 7/16" (54.5 cm)	4 1/2" (11.4 cm)
REFRIGERATORS	75R	34 1/8" (86.7 cm)	23 15/16" (60.6 cm)	23 7/16" (59.5 cm)	20 7/8" (53.0 cm)	3 1/8" (7.9 cm)
	29R	28 1/2" (72.4 cm)	20 13/16" (52.9 cm)	23" (58.4 cm)	20 7/16" (51.9 cm)	4 1/2" (11.4 cm)
	15R	34" (86.4 cm)	14 15/16" (37.8 cm)	23 1/8" (58.7 cm)	20 5/8" (52.4 cm)	3 1/8" (7.9 cm)
BEVERAGE CENTER	75BEV	34 1/8" (86.7 cm)	23 15/16" (60.6 cm)	23 7/16" (59.5 cm)	20 7/8" (53.0 cm)	3 1/8" (7.9 cm)

U-LINE EXTENDED WARRANTY

U-Line's commitment to provide premium quality products and greater value for our customers is reflected in our extended warranty.

FULL ONE YEAR WARRANTY - From the date of purchase, U-Line covers all parts and labor required to repair or replace any product, sold and serviced within the United States and Canada, which proves to be defective in materials or workmanship.

FULL FIVE YEAR WARRANTY - From the date of purchase, U-Line covers all parts and labor to repair or replace any components that prove to be defective in the sealed system (consisting of the compressor, condenser, evaporator, bypass valve, the dryer and connecting tube) for all products sold and serviced within the United States and Canada.

See Warranty for complete details.

Specifications subject to change without notice.

Origins Features at a Glance

	MODEL NUMBER	BLACK	WHITE	STAINLESS STEEL	NO DRAIN REQUIRED	DAILY ICE PRODUCTION	ICE CUBE STORAGE CAPACITY
ICE MAKERS	BI-98	•	•	•	•	25 lbs. (11 Kg)	25 lbs. (11 Kg)
	BI-95	•	•	•	•	23 lbs. (10 Kg)	12 lbs. (5 Kg)
WINE CAPTAIN® MODELS	75WC	•	•	•	•		
	15WC	•	•	•	•		
COMBO® MODELS	C075	•	•	•	•	18 lbs. (8 Kg)	13 lbs. (6 Kg)
	C029F	•	•	•	•	8 lbs. (4 Kg)	13 lbs. (6 Kg)
	C029	•	•	•	•	18 lbs. (8 Kg)	13 lbs. (6 Kg)
REFRIGERATORS	75R	•	•	•	•		
	29R	•	•	•	•		
	15R	•	•	•	•		
BEVERAGE CENTER	75BEV	•	•	•	•		



+ If you choose to apply stain to the wood trim of the Beverage Center racks, please consult User's Manual or contact U-Line first.

ELECTRICAL REQUIREMENTS: All products available in 110/115 voltage 60 cycle. Optional 220/230 voltage 50/60 cycle noted on specific products. At 220V, the amps are decreased by approximately 50 percent.

DOOR CLEARANCE INFORMATION:

- Zero clearance on all Origins black and white units when installed with flush door panel.
- Allow 3/16" on all Origins Wine Captain models.
- Allow 9/16" on all Origins Stainless Steel models.
- Allow 2" clearance on hinge side, for a 90° door opening when installed against a wall on Origins 75BEV model.

REFRIGERATION CAPACITY	WINE BOTTLE CAPACITY	DEFROST TECHNOLOGY*	ACCEPTS 1/4" DOOR PANEL**	FIELD REVERSIBLE DOOR	OPTIONAL DOOR LOCK***	FIXED IN-DOOR STORAGE	TEMPERED GLASS SHELVES	INTERIOR LIGHT	ADJUSTABLE TEMPERATURE CONTROL	ADJUSTABLE LEVELING LEGS	ENERGY STAR QUALIFIED REFRIGERATOR	MEETS ADA HEIGHT REQUIREMENT	220/230V 50/60 HZ CE MARK	RUN AMPS	MAX START AMPS	UL LISTED: USA & CANADA	APPROXIMATE SHIPPING WEIGHT
		M	•	•					•			•	•	2.5	18.0	•	74 lbs. (34 Kg)
		M	•	•					•			•	•	2.5	18.0	•	62 lbs. (28 Kg)
		60	A	•				•	•	•			•	2.4	9.0	•	116 lbs. (53 Kg)
		32	A	•				•	•	•			•	2.4	9.0	•	89 lbs. (40 Kg)
4.2 cu. ft. (119 L)		M	•	•		•	3	•	•	•			•	2.5	6.5	•	120 lbs. (55 Kg)
2.1 cu. ft. (60 L)		F	•	•		•	2		•			•	•	2.5	6.5	•	101 lbs. (46 Kg)
2.1 cu. ft. (60 L)		M	•	•		•	2		•			•	•	2.5	6.5	•	97 lbs. (44 Kg)
6.0 cu. ft. (170 L)		A	•	•	•	•	2.5	•	•	•	•			2.4	9.0	•	114 lbs. (52 Kg)
3.5 cu. ft. (99 L)		A	•	•	•	•	2.5		•		•	•		2.4	9.0	•	92 lbs. (42 Kg)
3.5 cu. ft. (99 L)		A	•	•		•	3.5	•	•	•	•			2.4	9.0	•	90 lbs. (41 Kg)
6.0 cu. ft. (170 L)		16	A				2	•	•	•				2.4	9.8	•	125 lbs. (57 Kg)

*** DEFROST TECHNOLOGY**
M • Manual Defrost
A • Automatic Defrost
F • Frost-Free

****** All models except Wine Captain® models and Beverage Center accept 1/4" door panel.

******* No lock available on stainless models. All Origins lock models, except 75WC and 15WC, do not have field reversible doors.

Models at a Glance

Échelon

ICE MAKERS

ÉCHELON
CLR2060



- Black
- White
- Stainless Steel

ÉCHELON
BI•2015



- Black
- White
- Stainless Steel

WINE CAPTAIN® MODELS

ÉCHELON
2075WC



- Black
- White
- Stainless Steel

ÉCHELON
2015WC



- Black
- White
- Stainless Steel

ÉCHELON
2075WCOL (SHOWN)
2015WCOL



- Black Cabinet
(Custom Overlay Frame MUST be installed)

Anti-tip brackets included with all Échelon Wine Captain models.

COMBO® MODELS

ÉCHELON
CO2075FF



- Black
- White
- Stainless Steel

ÉCHELON
CLRCO2075



- Black
- White
- Stainless Steel

REFRIGERATORS

ÉCHELON
2075R



- Black
- White
- Stainless Steel

ÉCHELON
2015R



- Black
- White
- Stainless Steel

REFRIGERATOR/FREEZER

ÉCHELON
2075RF



- Black
- White
- Stainless Steel

STAINLESS STEEL

ÉCHELON
2015 SERIES



Series Includes:
2015R, BI•2015
& CLR2060

ÉCHELON
2075 SERIES



Series Includes:
2075RF, CO2075FF,
2075R & CLRCO2075

ÉCHELON
2075DWRR



Designed for built-in installation — anchoring required

ÉCHELON
2075DWRWC



ÉCHELON
2075WC
2015WC (SHOWN)



- Anti-tip brackets included

DRAWERS

ÉCHELON
2075DWRR
CO2075DWR



- Black
- Stainless Steel
(Shown with Custom Overlay)

Designed for built-in installation — anchoring required

ÉCHELON
2075DWRWC



- Black Glass
- Stainless Steel

All Échelon Stainless Steel products include a stainless steel full-wrap door, a sculpted stainless steel handle, and a black grille. Models with a swing door feature a stainless steel cabinet. All drawer models feature a black vinyl cabinet.

Color availability indicated below each model.

ICE MAKERS

ORIGINS
BI•98

ADA
height compliant



- Black
- White

ORIGINS
BI•95

ADA
height compliant



- Black
- White

WINE CAPTAIN® MODELS

ORIGINS
75WC



- Black
- Stainless Steel

ORIGINS
15WC



- Black
- Stainless Steel

COMBO® MODELS

ORIGINS
C075



- Black
- Stainless Steel

ORIGINS
C029FF

ADA
height compliant



- Black
- White

ORIGINS
C029

ADA
height compliant



- Black

REFRIGERATORS

ORIGINS
75R



- Black
- White
- Stainless Steel

ORIGINS
15R



- Black
- Stainless Steel

ORIGINS
29R

ADA
height compliant



- Black
- White

STAINLESS STEEL

ORIGINS
75WC



ORIGINS
15WC



ORIGINS
75R, C075



ORIGINS
15R



BEVERAGE CENTER

ORIGINS
75BEV



- Stainless Steel

Origins stainless products feature a black vinyl cabinet, a stainless-like brushed aluminum door frame and handle, and a black grille. Models 75R, C075 and 15R have a stainless steel door panel. Model 75BEV features a stainless-like brushed aluminum commercial style door.

*"When you are inspired
by some great purpose,
some extraordinary project,
all your thoughts break their bonds;
your mind transcends limitations,
your consciousness expands in every direction."*

- Patanjali



U-LINE
CORPORATION

P.O. Box 245040

Milwaukee, WI 53224-9540

Phone: 414.354.0300

Fax: 414.354.7905

www.u-line.com

P/N ZLITIM 5000 7/04