



AI230700
200 series island hood
Stainless Steel
Width 39 6/16" (100 cm)
Air extraction/recirculation
Standard duct cover and mounting kit included

Classic Gaggenau design
Highly efficient extraction of cooking vapors
Low-noise blower
Patented filter technology with high level of grease absorption
Rim extraction filter with flat and easy-to-clean stainless steel surface
Dimmable LED light for optimum illumination of the entire cooktop
Air extraction or recirculation system
Recirculation module with activated charcoal filters: quiet and highly efficient recirculation solution with odor reduction as in air extraction mode, and long replacement intervals

Output

Air extraction:
641 / 790 m³/h.
Air recirculation:
535 / 574 m³/h.
Odor reduction recirculation 95%.

Features

Three electronically controlled power levels and an intensive mode.
Grease filter saturation indication by flashing light
Patented rim extraction filter, dishwasher-safe.
Warm white LED light (3600 K), continuously dimmable.
Airflow-optimized interior for efficient air circulation.
Easy mounting system for simple installation and alignment.
The package includes an one-way flap.

Planning notes

The hood includes a two-part duct cover with the dimensions from 654 mm to 834 mm. Individual planning solutions can be accommodated using the optional duct cover accessory AD 200 322 or by shortening the lower edge of the telescopic duct cover. Minimum clearance above gas cooktop 76 cm (30 inches). For more than 40.000 BTU min. 70 cm (27 inches). Clearance above electric appliances min. 30".
The recirculation module with activated charcoal filter can be installed on the inside of the duct cover.
When installing a ventilation hood with air extraction mode and a chimney-vented fireplace, the hood's power supply line needs a suitable safety switch.

Rating

Total rating: 430 W.
Total Amps: 3 A.
110 - 127 V / 60 Hz
Connecting cable 51 3/16" with plug.

Product Features

Operating Mode
Convertible: Ducted / Recirculating
Number of speed settings
3-stage
Delay Shut off modes
3/5/10
Silence level (dBA)
Required accessories
Optional accessories
AA200110, AA200816
Number of lights
4
Type of lamps used
LED
Total power of the lamps (W)
20
Grease filter material
Not washable synthetic
Grease filter type
Multilayer
Clean filter reminders

Consumption and connection features

UPC code
825225907657
Material
Stainless steel
Watts (W)
430
Current (A)
3
Volts (V)
110-127
Frequency (Hz)
60
Approval certificates
ETL
Power Cord Length
51 3/16"
Plug type
120V-3 prong
Overall appliance dimensions (HxWxD) (in)
29 5/16" - 36 6/16" / x 39 6/16" x 25 9/16"
Product packaging dimensions (HxWxD) (in)
34.84 x 24.01 x 52.16
Height of the chimney (in)
25 12/16" - 32 13/16"
Vertical rise height
Required distance above cooktop/ ranges
30"/30"
Net weight (lbs)
85
Gross weight (lbs)
108
Adjustable feet
Motor location
Integrated motor in hood chimney
Maximum CFM
Diameter of air duct (in) top
6
Diameter of air duct (in) back
Discharge direction
No-return airflow flap
Yes

2015-03-24
Page 1

Color Variants

AI230700
Stainless Steel
Width 39 6/16" (100 cm)

Optional accessories

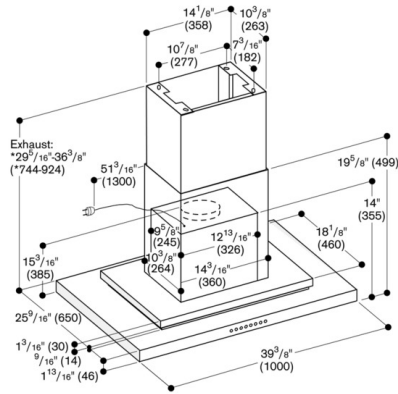
AA200110
Active charcoal filter for retrofitting air recirculation module AA 200 812/816
AA200816
Recirculation module with activated charcoal filter

Installation Accessories

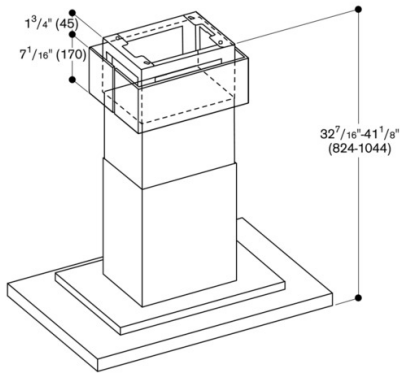
AD200326
Stainless steel duct cover extension
Length: 3' 3 3/8"

A|230700
200 series island hood
Stainless Steel
Width 39 6/16" (100 cm)
Air extraction/recirculation
Standard duct cover and mounting kit
included

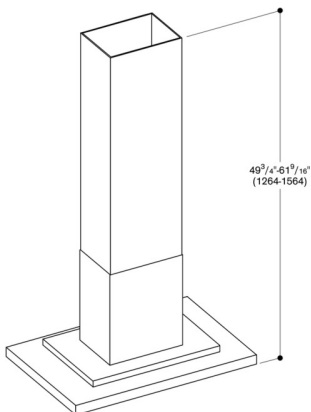
2015-03-24
 Page 2



* Suitable for ceiling heights of 7.7 ft (2.34 m) to 8.3 ft (2.52 m);
 Specifications refer to a distance from floor
 to lower chimney edge of 5.2 ft (1.60 m).



* Suitable for ceiling heights of 8 ft (2.42 m) to 8.7 ft (2.64 m);
 Specifications refer to a distance from floor
 to lower chimney edge of 5.2 ft (1.60 m).



* Suitable for ceiling heights of 9.4 ft (2.86 m) to 10.4 ft (3.16 m);
 Specifications refer to a distance between floor
 and lower chimney edge of 5.2 ft (1.60 m).