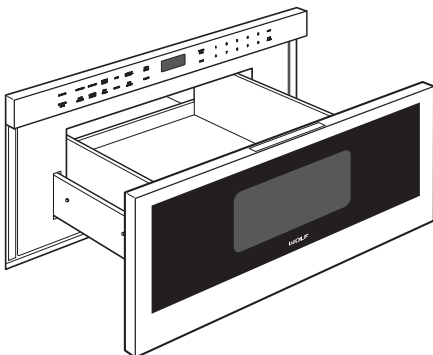


## FEATURES

- Designed to match Wolf professional products.
- Standard or flush inset installation.
- Can be located undercounter or in a corner.
- Large-capacity interior.
- Touch control panel with interactive visual display and 10 preset power levels.
- One-touch drawer opening.
- Sensor cooking to monitor and adjust settings.
- Popcorn, beverage, reheat, keep warm, melt, soften, Gourmet and defrost settings.
- Auto start and multiple sequence cooking features.
- Interior light and window in drawer.
- Full-extension drawer glides.
- Control panel lock.



Model MD30PE/S

MODEL	
Professional	MD30PE/S

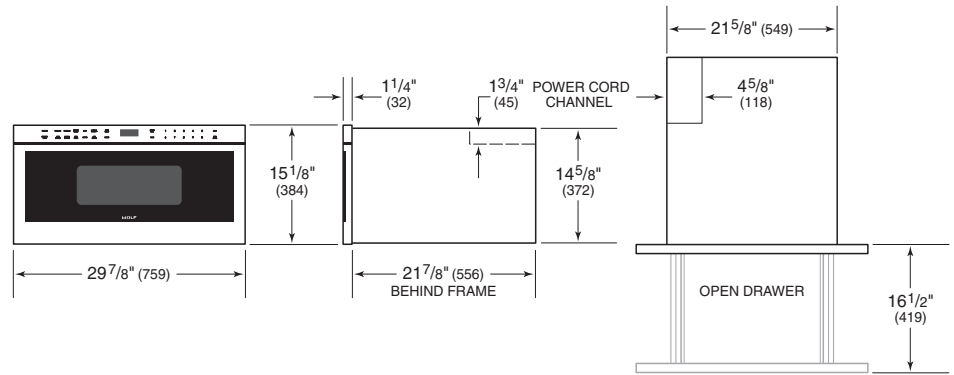
## ACCESSORIES

- Air vent for flush inset installations.

Accessories available through an authorized Wolf dealer. For local dealer information, visit the find a showroom section of our website, [wolfappliance.com](http://wolfappliance.com).

SPECIFICATIONS	
<b>PRODUCT</b>	
Dimensions	29 <sup>7</sup> / <sub>8</sub> "W x 15 <sup>1</sup> / <sub>8</sub> "H x 21 <sup>7</sup> / <sub>8</sub> "D
Weight	96 lb
<b>OVEN INTERIOR</b>	
Capacity	1.2 cu ft
Dimensions	17 <sup>5</sup> / <sub>16</sub> "W x 7 <sup>1</sup> / <sub>8</sub> "H x 16 <sup>9</sup> / <sub>16</sub> "D
<b>ELECTRICAL</b>	
Supply	120 VAC, 60 Hz
Service	15 amp circuit
Power Cord	4'
<b>POWER RATING</b>	
Maximum	950 W

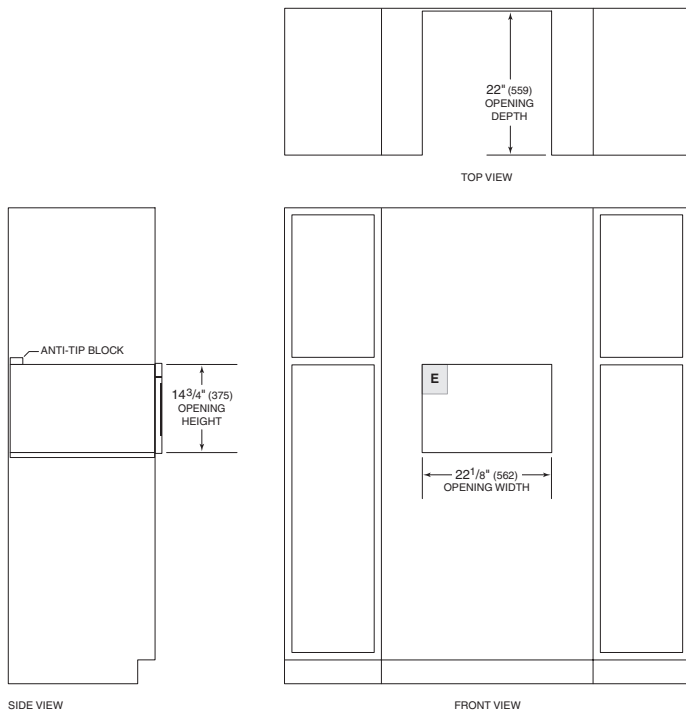
## DIMENSIONS



Specifications are subject to change without notice. Visit [wolfappliance.com/specs](http://wolfappliance.com/specs) for the most up-to-date information.

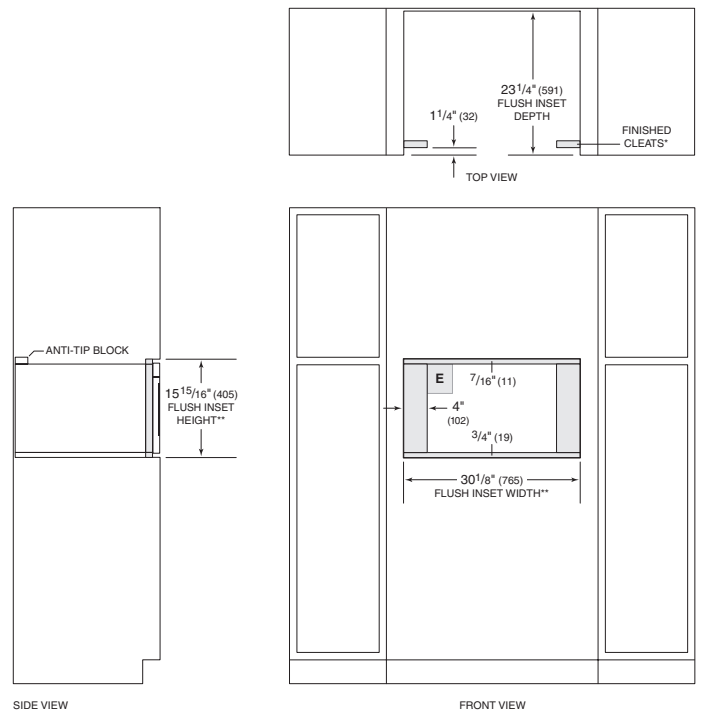
Dimensions may vary ±1/8" (3). Dimensions in parentheses are millimeters unless otherwise specified.

## STANDARD INSTALLATION



NOTE: All drawer microwave ovens require the same opening dimensions.

## FLUSH INSET INSTALLATION



\*Will be visible and should be finished to match cabinetry.  
\*\*Dimension provides minimum reveals.