

FEATURES

- Trimless design to match Wolf contemporary products.
- Can be mounted flush with countertop.
- Ceran glass-ceramic surface for scratch resistance and easy cleaning.
- High-frequency pulsation technology for consistent heating.
- Five elements with nine zones for cookware of all sizes.
- Bridge zone connects two elements to create a 7" x 16" cooking area.
- Wolf exclusive melt setting for gentle heat, and true simmer setting prevents scorching.
- Illuminated touch controls with graduated control lighting.
- Hot-surface indicator.
- Universal off turns all elements off.
- Control panel lock.
- Independent timer up to 99 minutes.
- Temperature limiter ensures safe operating temperature of glass-ceramic surface is never exceeded.



MODEL	
Unframed	CT36EU



Model CT36EU

SPECIFICATIONS

PRODUCT	
Dimensions	36"W x 4 1/4"H x 21"D
Weight	60 lb
ELECTRICAL	
Supply	3-wire, 240/208 VAC, 60 Hz
Service	50 amp circuit
Conduit	4' flexible
ELEMENT	
Diameter	12", 9", (2) 7", 6 1/2"

POWER RATING

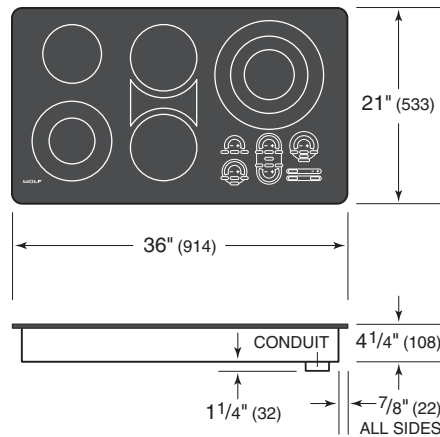
ELEMENT		W
Triple	1050 / 2200 / 2700	
Dual	700 / 2200	
Single	(2) 1800, 1200	
Bridge	4400	

Flush mount installations are intended for granite, solid surface or stone countertop surfaces only.

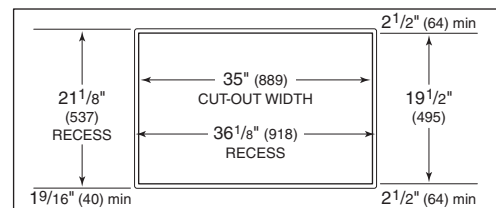
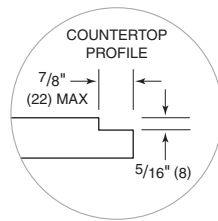
Specifications are subject to change without notice. Visit wolfappliance.com/specs for the most up-to-date information.

Dimensions may vary $\pm 1/8"$ (3). Dimensions in parentheses are millimeters unless otherwise specified.

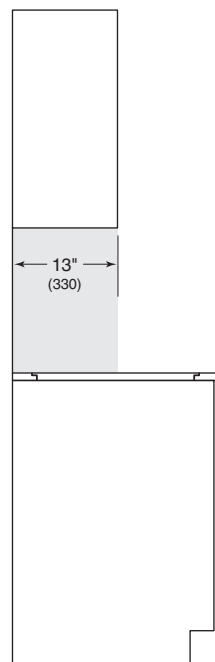
DIMENSIONS



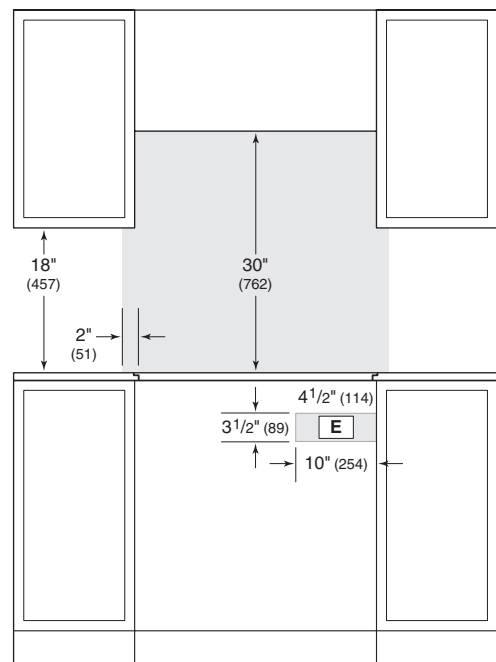
INSTALLATION



COUNTERTOP CUT-OUT



SIDE VIEW



FRONT VIEW

NOTE: Shaded area above countertop indicates minimum clearance to combustible surfaces, combustible materials cannot be located within this area.
 Electrical supply location only applies to installations with built-in oven.
 Inside corner radius 7/16" (11), outside corner radius 1 5/16" (33).