

FEATURES

- Stainless steel trim to match Wolf transitional products.
- Ceran glass-ceramic surface for scratch resistance and easy cleaning.
- High-frequency pulsation technology for consistent heating.
- Four elements with seven zones for cookware of all sizes.
- Bridge zone connects two elements to create a 7" x 16" cooking area.
- Wolf exclusive melt setting for gentle heat, and true simmer setting prevents scorching.
- Illuminated touch controls with graduated control lighting.
- Hot-surface indicator.
- Universal off turns all elements off.
- Control panel lock.
- Independent timer up to 99 minutes.
- Temperature limiter ensures safe operating temperature of glass-ceramic surface is never exceeded.
- Model CT30E-208/S for 208 V electrical supply.



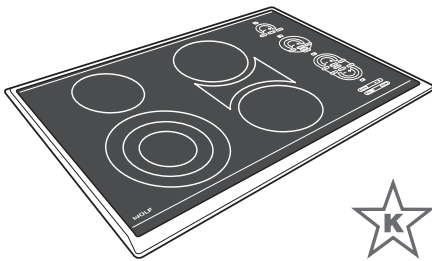
MODEL OPTIONS

Framed	CT30E/S
208 V Electrical Supply	CT30E-208/S

ACCESSORIES

- Filler strip for installation with another cooktop or module.

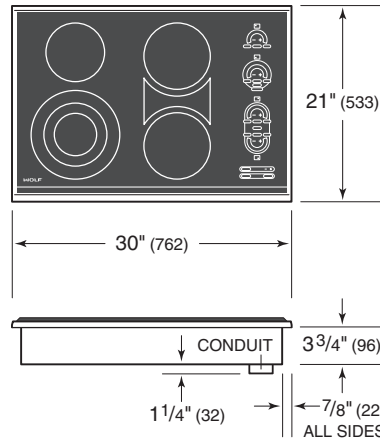
Accessories available through an authorized Wolf dealer. For local dealer information, visit the find a showroom section of our website, wolfappliance.com.



Model CT30E/S

SPECIFICATIONS	
PRODUCT	
Dimensions	30"W x 3 ³ / ₄ "H x 21"D
Weight	45 lb
ELECTRICAL	
Supply	3-wire, 240/208 VAC, 60 Hz
Service	40 amp circuit
Conduit	4' flexible
ELEMENT	
Diameter	10", (2) 7", 6 ¹ / ₂ "
POWER RATING	
ELEMENT	
Triple	900 / 1800 / 2500
Triple (CT30E-208/S)	900 / 1800 / 2300
Single	(2) 1800, 1200
Bridge	4400

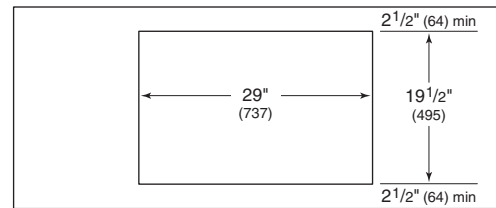
DIMENSIONS



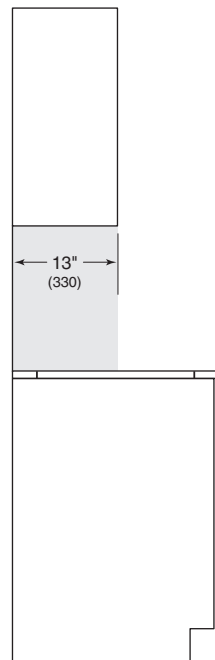
Specifications are subject to change without notice. Visit wolfappliance.com/specs for the most up-to-date information.

Dimensions may vary $\pm 1/8$ " (3). Dimensions in parentheses are millimeters unless otherwise specified.

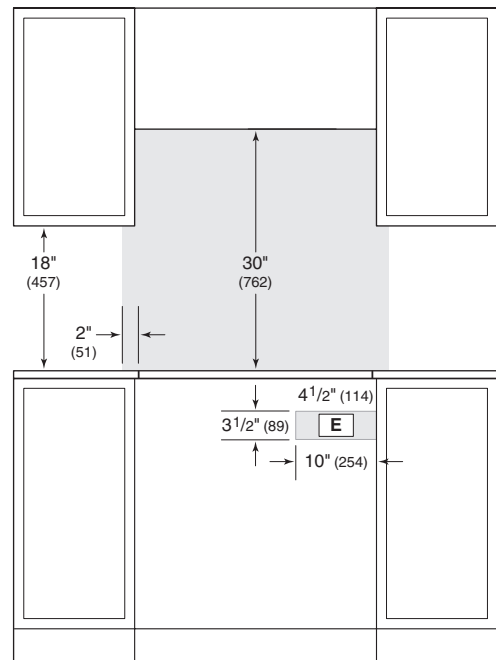
INSTALLATION



COUNTERTOP CUT-OUT



SIDE VIEW



FRONT VIEW

NOTE: Shaded area above countertop indicates minimum clearance to combustible surfaces, combustible materials cannot be located within this area.
Electrical supply location only applies to installations with built-in oven.