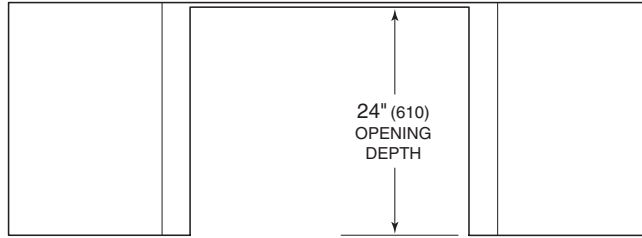
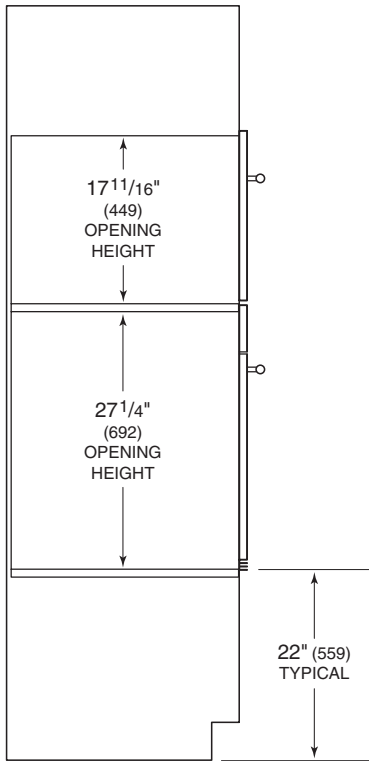


Convection Steam Oven and E Series Oven

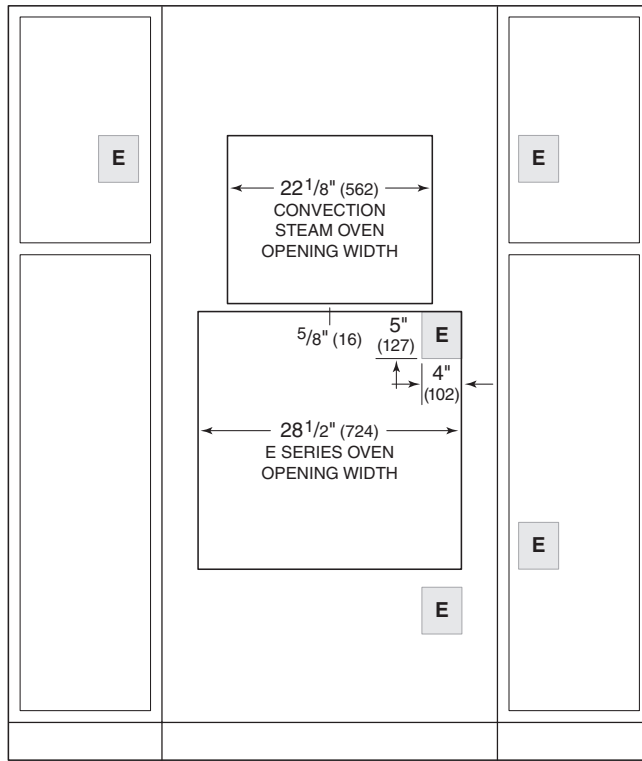
STANDARD INSTALLATION



TOP VIEW



SIDE VIEW

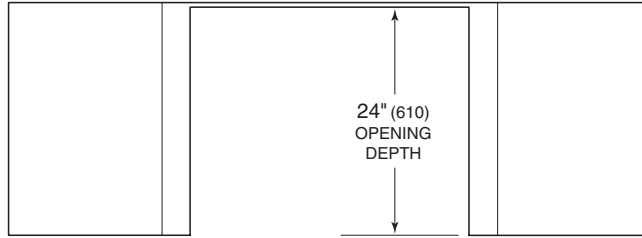


FRONT VIEW

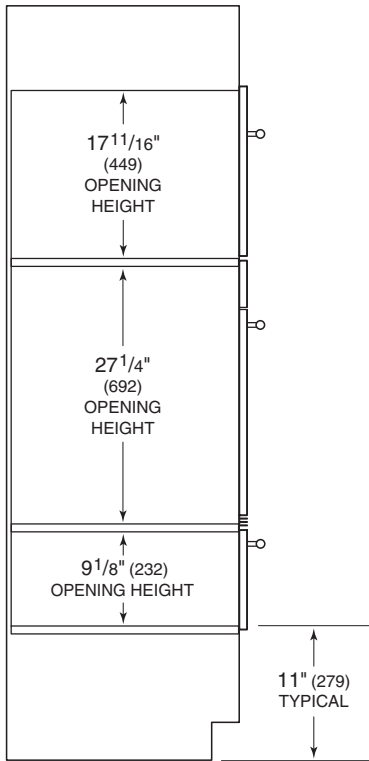
*NOTE: Minimum base support for convection steam oven 100 lbs (45 kg) and E series oven 250 lbs (113 kg).
 Electrical supply for convection steam oven must be located in adjacent cabinet within 3' (.9 m) of opening.
 Location of electrical supply within E series oven opening may require additional cabinet depth.*

Convection Steam Oven, E Series Oven and Warming Drawer

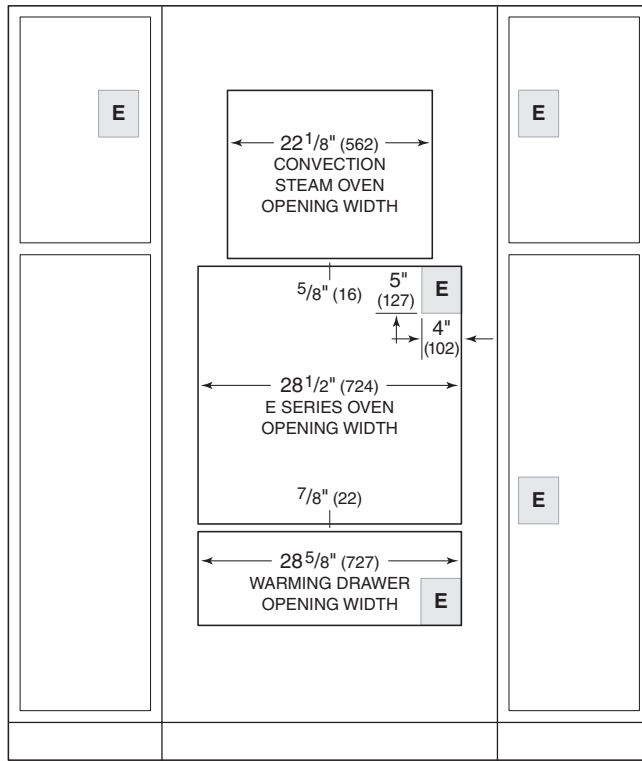
STANDARD INSTALLATION



TOP VIEW



SIDE VIEW

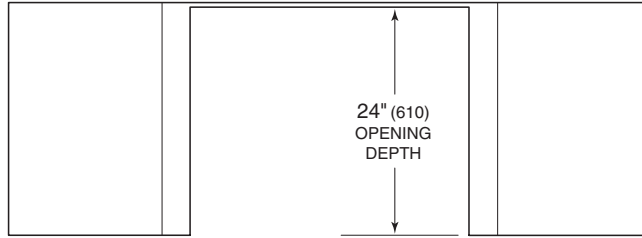


FRONT VIEW

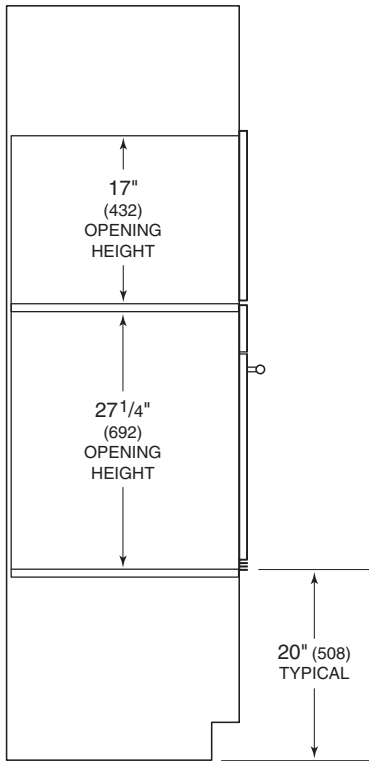
*NOTE: Minimum base support for convection steam oven 100 lbs (45 kg) and E series oven 250 lbs (113 kg).
Electrical supply for convection steam oven must be located in adjacent cabinet within 3' (.9 m) of opening.
Location of electrical supply within E series oven opening may require additional cabinet depth.*

Standard Microwave Oven and E Series Oven

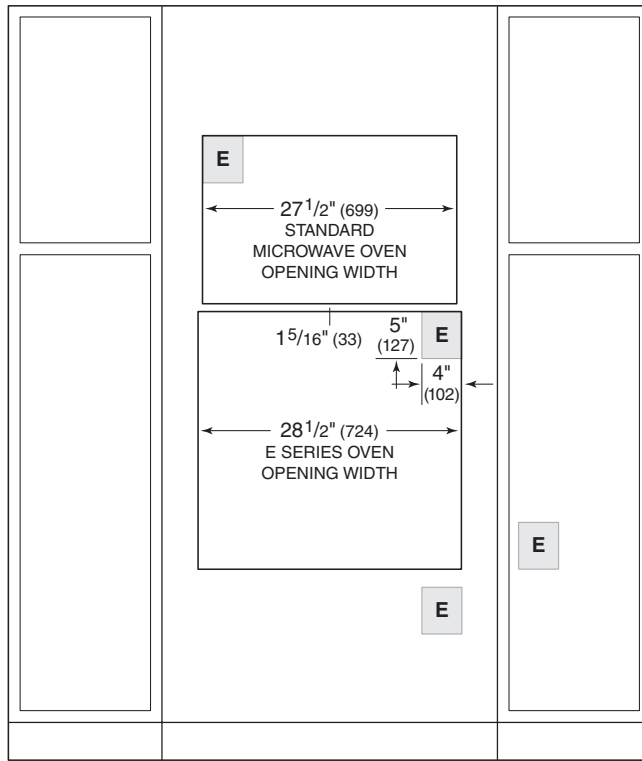
STANDARD INSTALLATION



TOP VIEW



SIDE VIEW

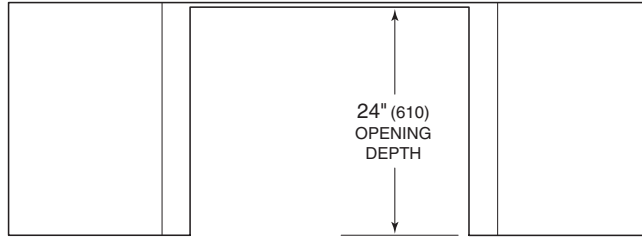


FRONT VIEW

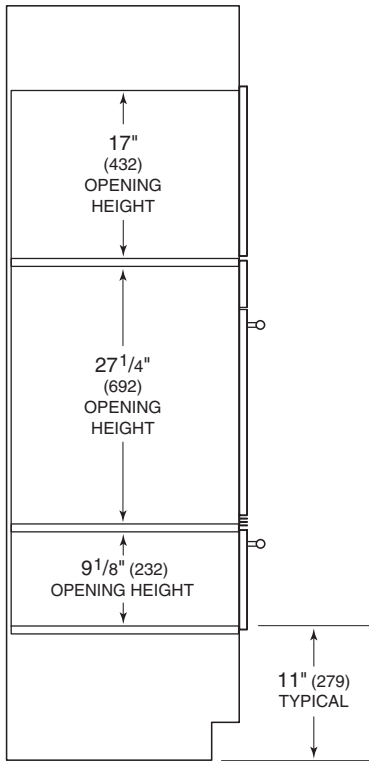
NOTE: Minimum base support for microwave oven 125 lbs (57 kg) and E series oven 250 lbs (113 kg).
Location of electrical supply within E series oven opening may require additional cabinet depth.

Standard Microwave Oven, E Series Oven and Warming Drawer

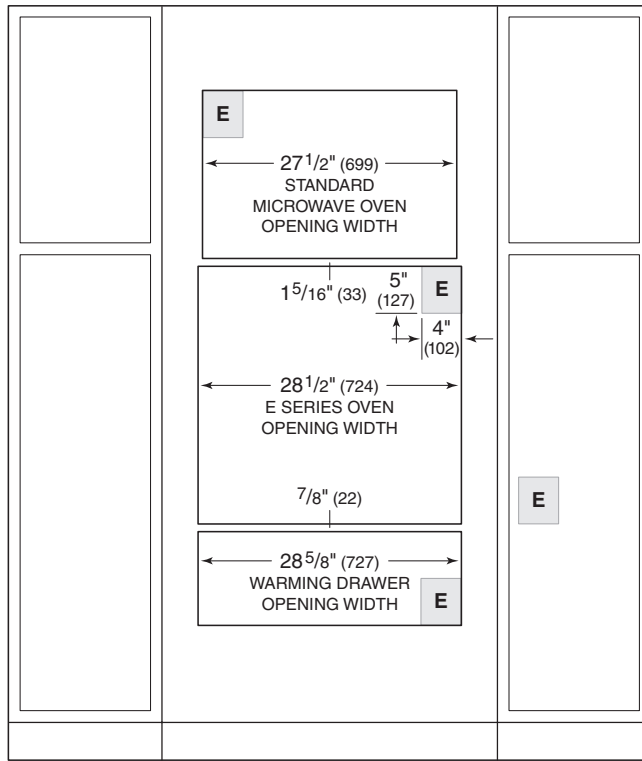
STANDARD INSTALLATION



TOP VIEW



SIDE VIEW



FRONT VIEW

NOTE: Minimum base support for microwave oven 125 lbs (57 kg) and E series oven 250 lbs (113 kg).
Location of electrical supply within E series oven opening may require additional cabinet depth.