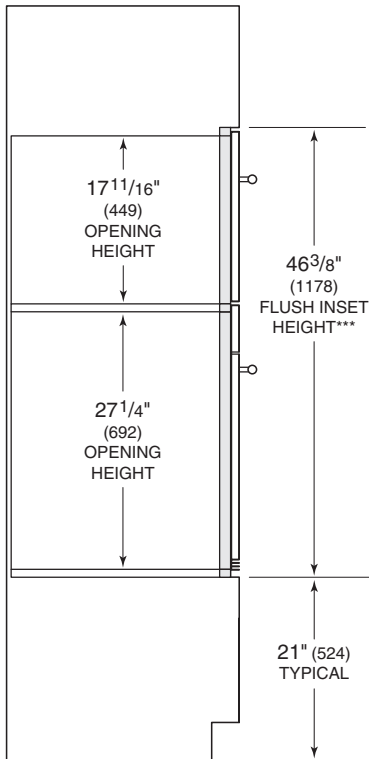
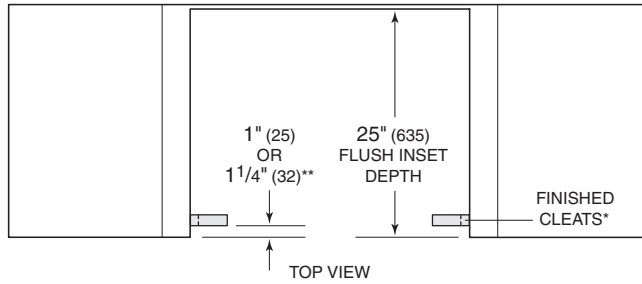
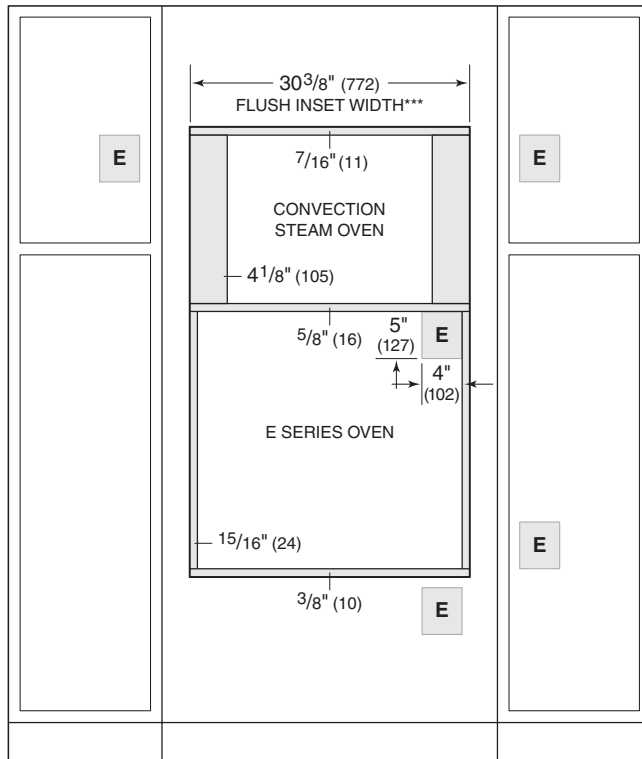


Convection Steam Oven and E Series Oven

FLUSH INSET INSTALLATION



SIDE VIEW



FRONT VIEW

*Will be visible and should be finished to match cabinetry.

**1" (25) for professional and transitional E series ovens and 1 1/4" (32) for contemporary model.

***Dimensions provide minimum reveals.

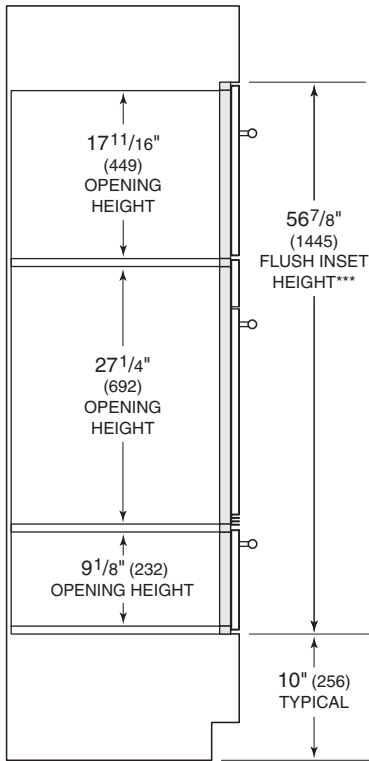
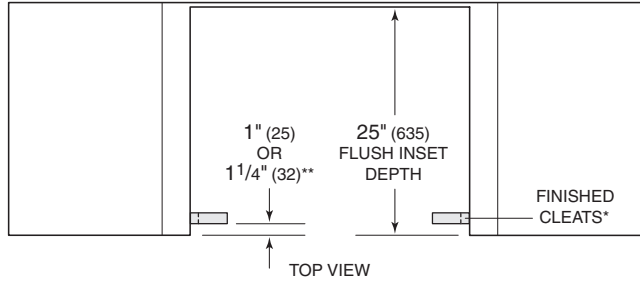
NOTE: Minimum base support for convection steam oven 100 lbs (45 kg) and E series oven 250 lbs (113 kg).

Electrical supply for convection steam oven must be located in adjacent cabinet within 3' (.9 m) of opening.

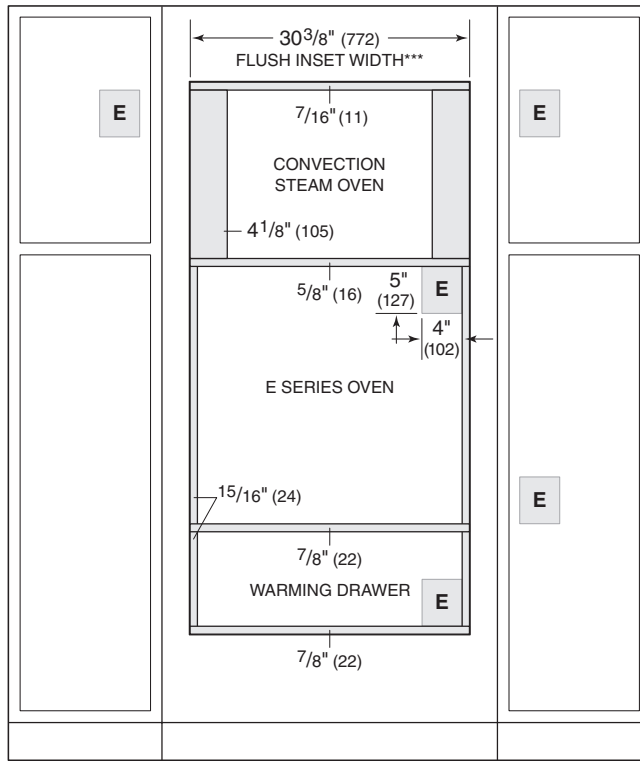
Location of electrical supply within E series oven opening may require additional cabinet depth.

Convection Steam Oven, E Series Oven and Warming Drawer

FLUSH INSET INSTALLATION



SIDE VIEW



FRONT VIEW

*Will be visible and should be finished to match cabinetry.

**1" (25) for professional and transitional E series ovens and 1 1/4" (32) for contemporary model.

***Dimensions provide minimum reveals.

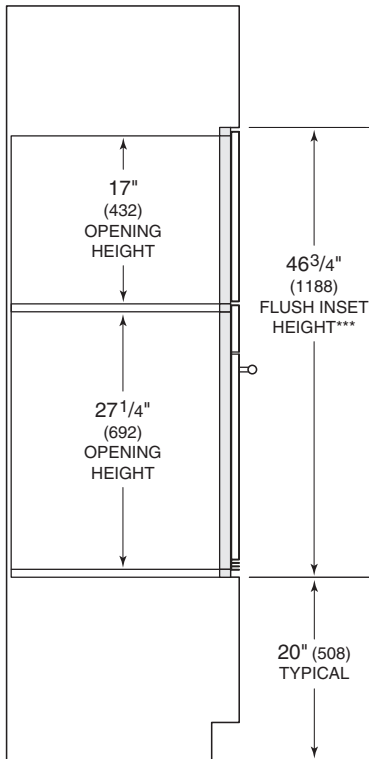
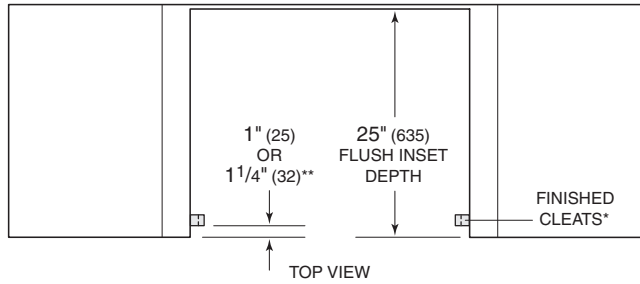
NOTE: Minimum base support for convection steam oven 100 lbs (45 kg) and E series oven 250 lbs (113 kg).

Electrical supply for convection steam oven must be located in adjacent cabinet within 3' (.9 m) of opening.

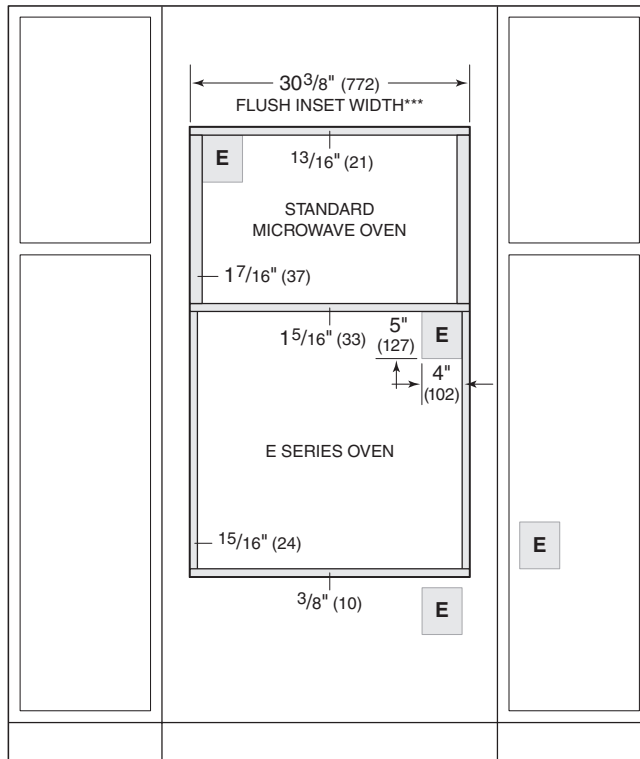
Location of electrical supply within E series oven opening may require additional cabinet depth.

Standard Microwave Oven and E Series Oven

FLUSH INSET INSTALLATION



SIDE VIEW



FRONT VIEW

*Will be visible and should be finished to match cabinetry.

**1" (25) for professional and transitional E series ovens and microwave trim, 1 1/4" (32) for contemporary.

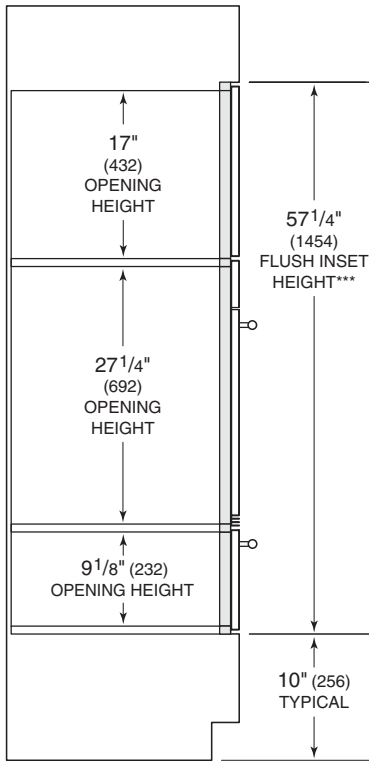
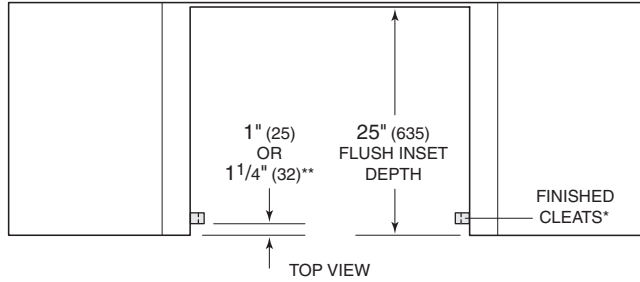
***Dimensions provide minimum reveals.

NOTE: Minimum base support for microwave oven 125 lbs (57 kg) and E series oven 250 lbs (113 kg).

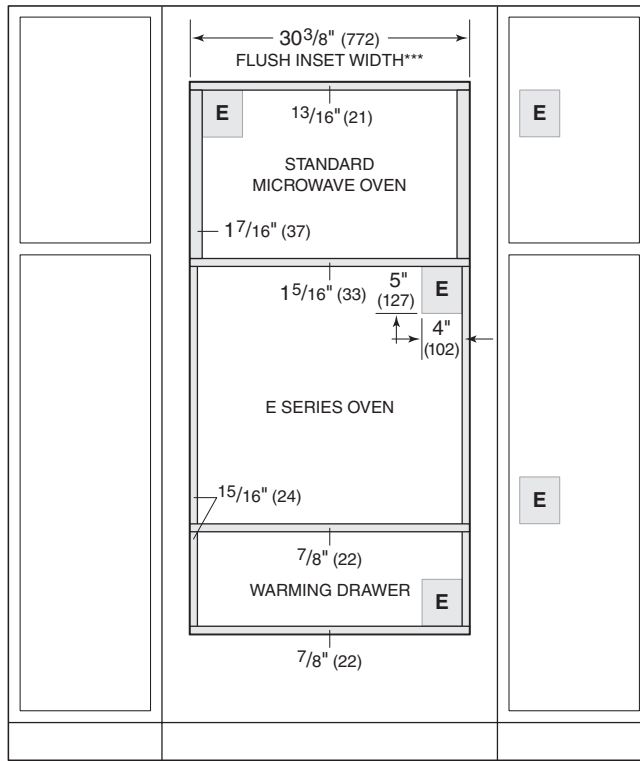
Location of electrical supply within E series oven opening may require additional cabinet depth.

Standard Microwave Oven, E Series Oven and Warming Drawer

FLUSH INSET INSTALLATION



SIDE VIEW



FRONT VIEW

*Will be visible and should be finished to match cabinetry.

**1" (25) for professional and transitional E series ovens and microwave trim, 1 1/4" (32) for contemporary.

***Dimensions provide minimum reveals.

NOTE: Minimum base support for microwave oven 125 lbs (57 kg) and E series oven 250 lbs (113 kg).

Location of electrical supply within E series oven opening may require additional cabinet depth.