

FEATURES

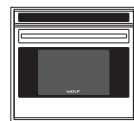
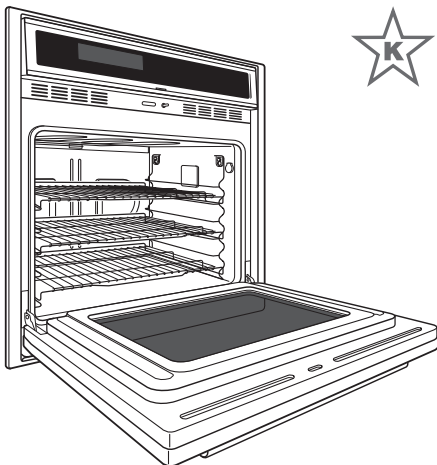
- Framed and unframed door styles with tubular handle.
- Crafted of heavy-duty stainless steel.
- Dual convection oven with two fans for even heat distribution.
- Ten cooking modes—bake, roast, broil, convection, convection bake, convection roast, convection broil and proof—bake stone and dehydration modes require accessory.
- Wolf exclusive rotating glass touch control panel.
- Cobalt blue porcelain oven interior.
- Large viewing, triple-pane window and dual halogen interior lights.
- Three adjustable oven racks; one full-extension easy glide, one full-extension door glide and one standard.
- Hidden bake element and recessed broil element.
- Temperature probe and broiler pan.
- Self-clean, delayed start, timed cook and Sabbath features.
- Wolf exclusive spring and damper door hinge system for smooth opening and closing.



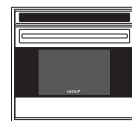
MODEL	
Framed	SO30F/S
Unframed	SO30U/S

ACCESSORIES

- Bake stone kit (stone, rack and peel).
- Dehydration kit (racks and door stop).
- Set of three standard oven racks.
- Full-extension easy glide oven rack.
- 30" baking sheet.
- Temperature probe and broiler pan.



Model SO30F/S



Model SO30U/S

Model SO30F/S

Accessories available through an authorized Wolf dealer. For local dealer information, visit the find a showroom section of our website, wolfappliance.com.

SPECIFICATIONS

PRODUCT

Dimensions	29 ⁷ / ₈ "W x 27 ¹ / ₂ "H x 24"D
Door Clearance	20 ³ / ₄ "
Weight	273 lb

OVEN INTERIOR

Interior	25"W x 16 ¹ / ₂ "H x 19"D
AHAM Overall Capacity	4.5 cu ft
AHAM Usable Capacity	2.8 cu ft

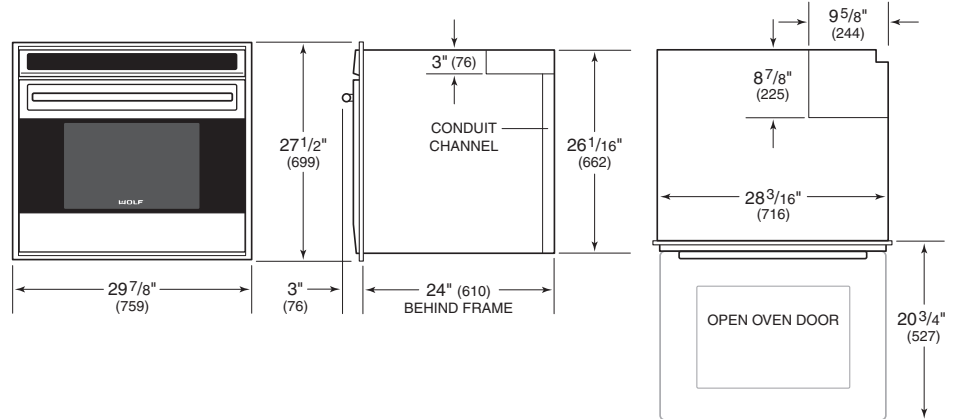
ELECTRICAL

Supply	240/208 VAC, 60 Hz
Service	30 amp circuit
Conduit	4'

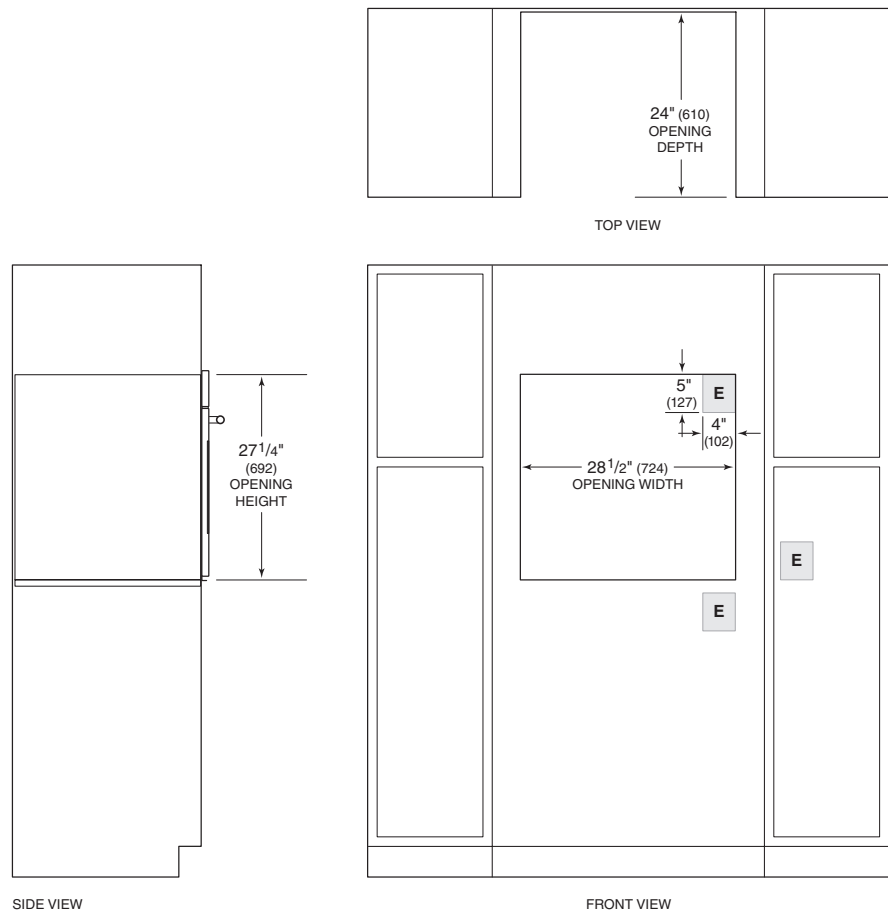
Specifications are subject to change without notice. Visit wolfappliance.com/specs for the most up-to-date information.

Dimensions may vary $\pm 1/8"$ (3). Dimensions in parentheses are millimeters unless otherwise specified.

DIMENSIONS



INSTALLATION



NOTE: Location of electrical supply within opening may require additional cabinet depth.