



## Coffee System Quick Start Guide

### To Make Coffee

#### WHOLE BEANS

Do not use oily, caramelized or flavored beans.

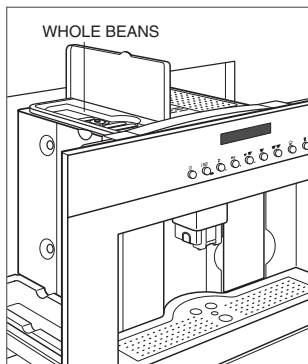
- 1 Press multiple times to select the desired taste.
  - Extra-Mild
  - Mild
  - Standard
  - Strong
  - Extra-Strong
- 2 Press multiple times to select the desired volume.
  - Espresso (1 oz)
  - Short Coffee (3 oz)
  - Coffee (9 oz)
  - Long Coffee (12 oz)

- 3 Press to initiate the cycle or press to double the volume and initiate the cycle.

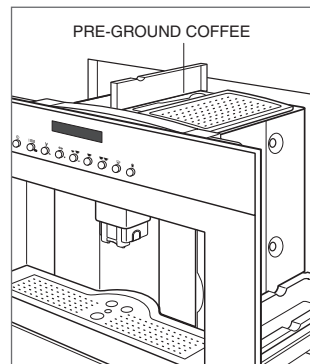
For all beverages 12 oz (360 ml) or larger, 'FILL WATER AND BEANS, EMPTY TRAY AND GROUNDS' will appear on the display. Once levels have been verified, press to initiate the cycle.

#### PRE-GROUND COFFEE

- 1 Press multiple times and select pre-ground.
- 2 Press multiple times to select the desired volume.
- 3 Press to initiate the cycle or press to double the volume and initiate the cycle.



Whole bean compartment.



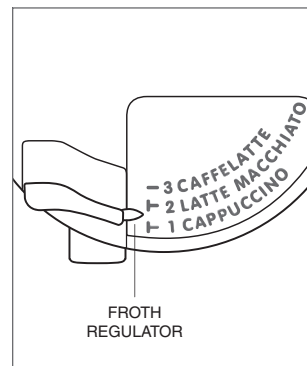
Pre-ground compartment.

### To Make Cappuccino

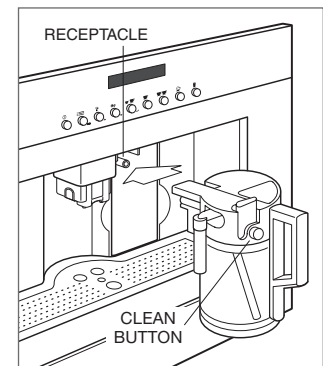
- 1 Adjust the froth regulator on the milk container.
- 2 Fill and insert the milk container.
- 3 Place a cup under the spout, then verify the milk spout is positioned over the cup.
- 4 Press to initiate the cycle.
- 5 Once the cycle is complete, place a cup under the milk spout, then press and hold CLEAN on the milk container to clean the milk spout.

### To Make Latte Macchiato, Caffelatte, Frothed Milk

- 1 Adjust the froth regulator on the milk container.
- 2 Fill and insert the milk container.
- 3 Place a cup under the spout, then verify the milk spout is positioned over the cup.
- 4 Press , press or to scroll to desired beverage, then press to initiate the cycle.
- 5 Once the cycle is complete, place a cup under the milk spout, then press and hold CLEAN on the milk container to clean the milk spout.



Froth regulator.



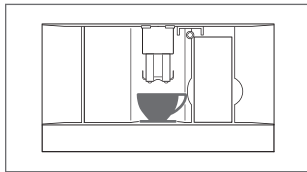
Milk container.



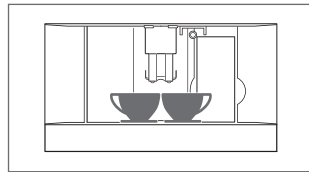
## Coffee System Quick Start Guide

### Cup Placement

The adjustable height coffee spout has two outlets. One or two cups can be placed under the spout. Adjust the height of the spout as close to the cup(s) as possible.



One cup.

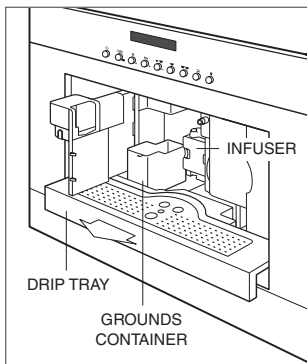


Two cups.

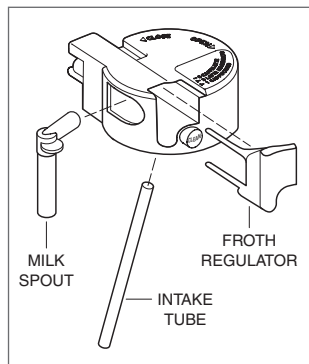
### Care Recommendations

#### CLEANING

- 'EMPTY GROUNDS CONTAINER' is displayed when the grounds container is full or if the grounds container has not been emptied for approximately three days. To access the grounds container, open the service door. Slide the drip tray forward to remove. Refer to the illustration below.
- The milk container lid can be disassembled for cleaning. Refer to the illustration below.



Service door open.



Milk container lid.

- Clean the infuser at least once a month. Turn the unit off, then open the service door and remove the drip tray and grounds container. Press the two red buttons inward and remove the infuser. Soak in water approximately five minutes, then rinse and towel dry. Do not use detergent. Replace by sliding the infuser onto the internal support and bottom pin, then press 'PUSH' until it clicks into place. Verify the red buttons have snapped out.

**IMPORTANT NOTE:** Do not use detergent to clean the infuser. It will remove lubricant on interior parts.

#### DESCALE

Use only EcoDecalk descaling solution.

- 1 Remove the water tank and empty completely.
- 2 Fill the tank half full with water then add entire descaler contents. Reinstall the water tank.
- 3 Install the water spout, then place a large container, more than 50 oz (2 L), under the spout.
- 4 When the appliance is on, press to access options.
- 5 Press or until 'DESCALE' is displayed, then press . 'DESCALING UNDERWAY' will appear on the display.
- 6 After 30 minutes, 'RINSING FILL TANK' is displayed. Fill the water tank with water and empty the large container, then reinstall.
- 7 Press . 'RINSING PLEASE WAIT' will appear on the display.
- 8 Once the cycle is complete, 'RINSING COMPLETE' will appear on the display, then fill container and press . Press and then press .

