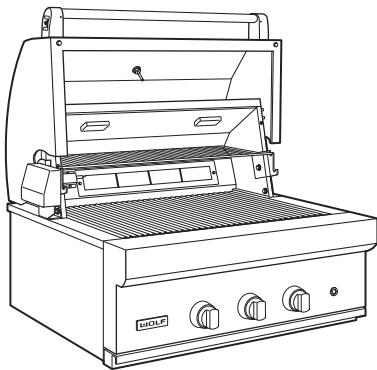


## FEATURES

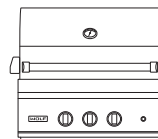
- Crafted of heavy-duty stainless steel.
- Each grill burner is individually contained for independent heat control.
- Radiant heat from ceramic briquettes mixes with direct heat for more thorough grilling.
- Two-position rotisserie system with infrared burner.
- Stainless steel burner grates provide more heat contact for even grilling.
- Halogen lights illuminate the grilling surface.
- Signature red control knobs are LED lit for night grilling.
- Electric hot surface ignitors operate by pushing in control knobs.
- Double wall hood front for insulation.
- Hood assist system with concealed springs for easy opening and closing.
- Three-position warming rack stows away when not in use.



Model OG30

## MODEL OPTIONS

Natural Gas	OG30
LP Gas	OG30-LP

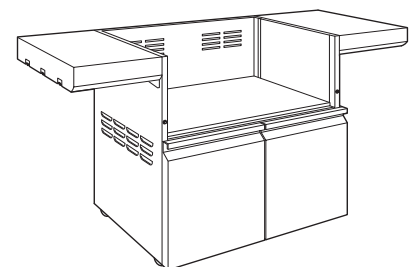


OG30

## ACCESSORIES

- Stainless steel portable grill cart with fold-down side shelves and interior pull-out tray (see below).
- Black control knobs.
- Canvas covers for built-in and cart applications.
- Insulating liner for built-in application.
- Stainless steel doors and drawers for built-in enclosure.

Accessories available through an authorized Wolf dealer. For local dealer information, visit the find a showroom section of our website, [wolfappliance.com](http://wolfappliance.com).



Portable grill cart.

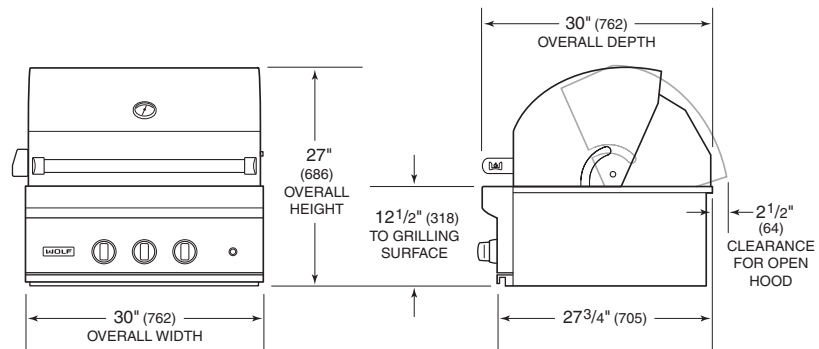
## SPECIFICATIONS

<b>PRODUCT</b>	
Dimensions	30"W x 27"H x 30"D
Weight	216 lb
<b>ELECTRICAL</b>	
Supply	120 VAC, 60 Hz
Service	15 amp circuit
<b>GAS</b>	
Supply	3/4" rigid pipe
Inlet	1/2" NPT female

## BURNER RATING (Btu)

Grill Burners	25,000
Rotisserie	14,000

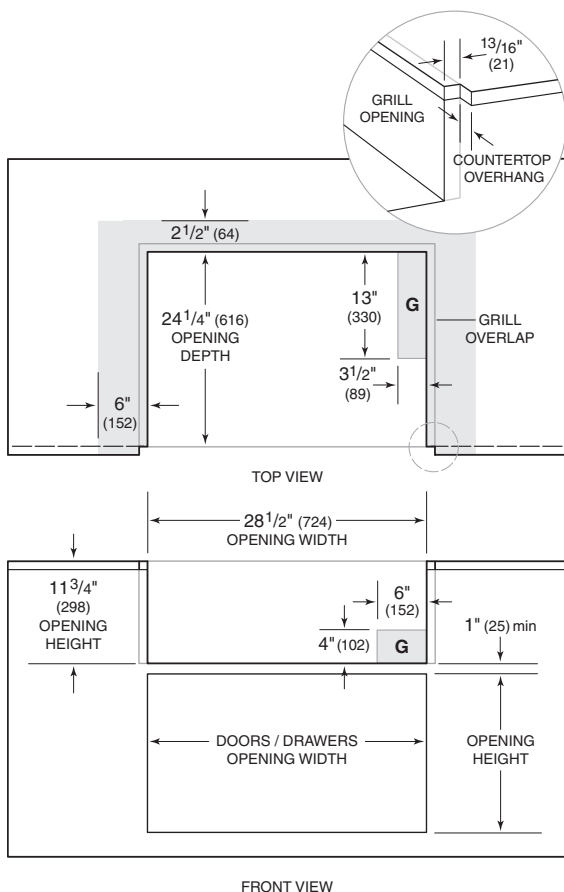
## DIMENSIONS



Specifications are subject to change without notice. Visit [wolfappliance.com/specs](http://wolfappliance.com/specs) for the most up-to-date information.

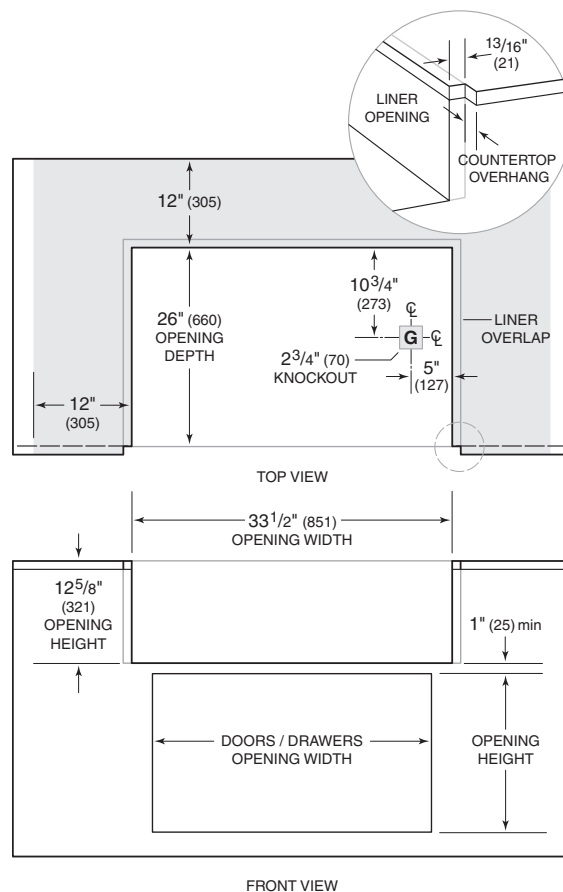
Dimensions may vary  $\pm 1/8"$  (3). Dimensions in parentheses are millimeters unless otherwise specified.

## INSTALLATION—NON-COMBUSTIBLE ENCLOSURE



NOTE: Shaded area above countertop indicates minimum clearance to combustible surfaces, combustible materials cannot be located within this area.

## INSTALLATION—COMBUSTIBLE ENCLOSURE



NOTE: Shaded area above countertop indicates minimum clearance to combustible surfaces, combustible materials cannot be located within this area.