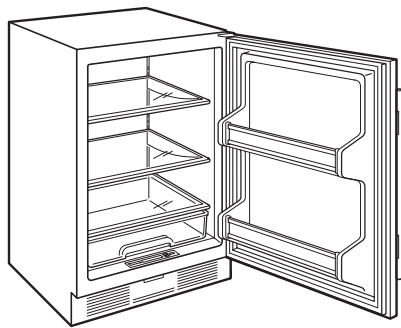


FEATURES

- Compact unit provides convenient refrigeration anywhere in the home.
- Easy-access, touch control panel with LCD display.
- Temperature range from 34°F to 45°F.
- Bright interior lighting.
- Adjustable spill-proof glass shelves.
- Clear utility bin for storage of smaller items.
- Two-liter bottle storage in door.
- ENERGY STAR® qualified.



Model UC-24R



MODEL

All Refrigerator UC-24R

Specify RH or LH door.

INTERIOR FEATURES

REFRIGERATOR

- 2 Adjustable glass shelves
- 1 Stationary glass shelf
- 2 Door shelves
- Utility bin

ACCESSORIES

- Stainless steel door panel with tubular or pro handle.
- Stainless steel tubular and pro handles.
- Door lock.
- Dual installation kit.
- Stainless steel or black dual wide kickplate.

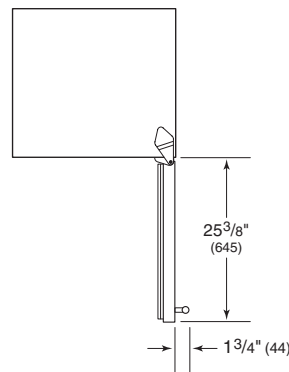
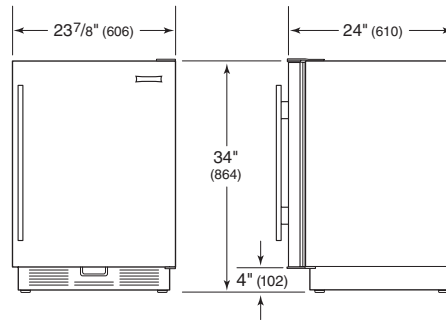
Accessories available through an authorized Sub-Zero dealer. For local dealer information, visit the find a showroom section of our website, subzero.com.

SPECIFICATIONS	
PRODUCT	
Dimensions	23 ⁷ / ₈ "W x 34"H x 24"D
Door Clearance	25 ³ / ₈ "
Weight	130 lb
CAPACITY	
Refrigerator	5.7 cu ft
ELECTRICAL	
Supply	115 VAC, 60 Hz
Service	15 amp circuit

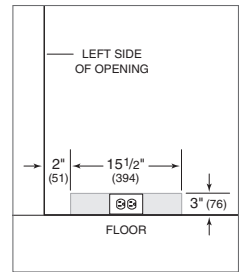
Specifications are subject to change without notice. Visit subzero.com/specs for the most up-to-date information.

Dimensions may vary ±1/8" (3). Dimensions in parentheses are millimeters unless otherwise specified.

DIMENSIONS



ELECTRICAL



INSTALLATION

