

Laundry  
and Dishwashers

The New Collection

 **ARISTON**



 **ARISTON**

Ed. 07/04

For more information contact us at:

**1-888-426-0845**

or visit [www.aristonappliances.us](http://www.aristonappliances.us)

Importer/Distributor:  
Ultra<sup>®</sup> International L.L.C.  
2505 Anthem Village Drive, Suite E - BOX 562, Henderson Nevada 89052

Ariston's philosophy is simple – to become part of the everyday life taking **Care** of you, offering you home appliances unique in **Style**, giving to your house a fine touch of design. Ariston appliances are studied to guaranty **Quality** and **Performance**: they are able to work in total safety and silence in order to accommodate any need you could have. Therefore you can work, spend time with the family or even dream sweet dreams without having to worry about them.

Leaving you with all the time you need to save your most precious moments.

Welcome to Ariston.

# Time together





## Distinguishing features. A unique design makes your house unique too.

DESIGN: **MAKIO HASUIKE & CO**

The central philosophy of M. Hasuike's design is essentiality and harmony combined in a totally distinctive style.

The elegant, rounded, soft lines of the new washing machines, is a clear example of this philosophy displayed in the unique door and detergent drawer design, in the shape of the control panel and in the other exclusive features, as well as for the dishwashers which are absolutely simple in design, with rounded shapes and distinctive features such as the control panel, the new basket design and the handle of the door.

Particular attention to product design is aimed at obtaining structures which are solid, innovative, functional: an Ariston tradition.

The new collection is dedicated to those who wish to be surrounded by distinctive, beautiful objects which add warmth and beauty to the home.

# Distinguishing features.

## A soothing thought for our future.

**"Efficiency"** means being able to provide your family unbelievable clean clothes and in the process providing the future generation precious natural resources, saving you money and protecting the environment, without sacrificing comfort. Through its horizontal axis wash system using dramatically less water and less energy than conventional laundry pairs combined with the high spin speed extracting water, superior to that of a conventional machine, combined in concert with the **Sensor System** dryer preventing any damage to your clothes caused by high heat and overdrying.

## As caring as you are.

### **"Performance"**

The claim that your washing will be truly super with Ariston's new washing machine is more than just a promise. Ariston's new washing machine features an electronic control module which means that it is able to process the quantity and type of wash and decide the right combination of water, temperature and spin speed with a high level of precision to offer you a better performance and great results – whiter whites with no marks or rings.

Thank to its **Dynamic Wash System** involving specific action of the calibrated drum allows the detergent to wash better than ever and helps get rid of all traces of dirt.

## A support for your daily challenges.

### **"Flexibility"**

The combination of **"Easy Iron"** on both the washer and dryer produces minimum creasing making it quicker and easier when it is time to iron. Also knowing there is a necessity to get out the toughest stains at times a special bleach option can be integrated with your wash programs increasing the effectiveness of the wash, eliminating the need to pre-wash by hand. Time is an important resource and so from a **Delay Timer** on the washer, allowing you to set your wash to be done when you get home, to the **Crease Care** on the dryer, periodically tumbling the clothes to prevent creasing until you come back to the machine. The time saved will be your time.



**Better than ever**

Improve the efficiency of your home with a washer that holds the lowest operating cost of any washer available; exceeding the requirements of Energy Star.

1



**As soft as silk**

Thanks to the **Silk** program, machine washing a silk garment as if it were a cotton item will become a completely normal action.

5



**Less time spent ironing, more free time**

6

Ariston's new washing machine's special **Easy Iron** program means that it is able to select the best washing and rinsing conditions in relation to the fabric. This in turn means minimum creasing, so not only will it be a pleasure to do the washing but it will also be quicker and easier to iron.



**No more pain, no more stains**

Even the most stubborn stains disappear without any pre-wash thanks to the special bleach compartment which integrates the selected program increasing the additive's cleaning power. And above all there is no need to pre-wash by hand.

2



**Detergent free too**

You will not find any traces of detergent which may ruin your garments or irritate sensitive skin. The special **Extra Rinse** option lets you add a further rinse level to the selected program in order to get rid of all traces of detergent.

3

**Silence**

Being able to spend time together without being disturbed, enjoying maximum freedom all the time.

7

8

**160° Sanitary Cycle**

Cleaning without additives is a nice option you may want to choose if you would like. That is the choice you have because of an internal heating element providing high wash temperatures for sanitizing results.

**Detergent Loss Prevention**

100% detergent cleaning power is captured thanks to the pressure system which keeps the active soap in the washer and not down the drain. So it is nice to know your washing machine is not wasting a drop of detergent providing the maximum in cleaning efficiency.

4

5



**You choose when to wash**

The **Delay Timer** lets you program the wash start time for any time of the day even if you are not at home, up to 12 hours in advance.



**Open to all**

You can load and unload your washing easily thanks to a wide 12 inch, 180° opening door.

9



**"Problem solved"**

Where is the dryer? It's not needed when you have an Ariston Washer/Dryer Combination. Probably a good thing when consider you may not have the space or the required connections for both a washer and dryer in your home. Now you can bring the various benefits of being able to do laundry just about anywhere you choose along with the many features and style offered in this efficient performer.

**"Efficiently effective"**

The Ariston Washer and Dryer are not only efficient in their operation but also provide an opportunity to create an efficient and effective laundry room even if space is an obstacle. Stack them as shown or build them under the counter for a custom look, either way the elegantly rounded style of the control panels, unique door design, and the other exclusive features will make the least favorite room in your home a pleasure to visit.





### AW 120



1200 rpm spin speed  
Electronic/Smart Controls  
Multiple spin speed adjustments  
Multiple Temperature adjustments

Energy Star certified

9 wash settings  
Stain removal / bleach option  
Easy Iron option  
Extra Rinse option  
Soaking option  
Pre-Wash option  
Delay Timer (up to 12 hs)

6 kg or 13 lbs maximum load capacity  
5.5 kg or 12 lbs Energy test washing capacity  
Stainless Steel Tub/Drum

Dimensions (HxWxD) - 33.4" x 23.4" x 22"

### AW 122



1200 rpm spin speed  
Electronic/Smart Controls  
Multiple spin speed adjustments  
Multiple Temperature adjustments  
Detergent recovery system  
Sanitary Cycle

Energy Star certified

9 wash settings  
Stain removal / bleach option  
Easy Iron option  
Extra Rinse option  
Soaking option  
Pre-Wash option  
Delay Timer (up to 12 hs)

5.5 kg or 12 lbs maximum load capacity  
5.5 kg or 12 lbs Energy test washing capacity  
Stainless Steel Tub/Drum

Dimensions (HxWxD) - 33.4" x 23.4" x 20.8"

### AWD 120



1200 rpm spin speed  
1200 watt condensing dryer  
Electronic/Smart Controls  
Multiple drying time adjustments  
Multiple Temperature adjustments

Energy Star certified

9 wash settings  
Stain removal / bleach option  
Easy Iron option  
Extra Rinse option  
Throttle down spin speed regulation  
Pre-Wash option  
Delay Timer (up to 12 hs)

6 kg or 13 lbs maximum load capacity  
5.5 kg or 12 lbs Energy test washing capacity  
3.6 kg or 8 lbs dryer capacity  
Stainless Steel Tub/Drum

Dimensions (HxWxD) - 33.4" x 23.4" x 22"

## Controlled results

Your dryer is equipped with moisture sensor constantly monitoring the dryness level you desire. Just **Set and Forget** and your clothes will come out at the dryness level you chose.

1



## A 45 V



Vented - Electronic Controls  
Bidirectional rotation  
180° (reversible) full metal door  
Removable Lint Filter  
End noise signal

Sensor Controlled - Set & Forget  
Crease Care protection

3 Automatic Cycles - Cotton  
3 Automatic Cycles - Permanent Press  
Timed Dry option  
Easy Iron option  
Air Fluff option

6 kg or 13 lbs capacity  
Stainless Steel Tub/Drum

Dimensions (HxWxD) - 33.46" x 23.43" x 23.6"



## Easy Iron

The **Easy Iron** is the ideal program for clothes that you have washed and dried, but had no time to iron. Utilizing its 10 minute tumble, creasing is eliminated, making ironing that much easier.

2



## Air Fluff

**Air Fluff** option is 20 minutes and helps refresh the clothes that have been in your closet for a long time: eliminating any bad smells.

3



## Crease Care

In each program the special final **Crease Care** periodically tumbles the clothes until you come back eliminating chance of wrinkles.

4



## Distinguishing features.

### More Sparkle.

#### "True Care Performance"

Wave goodbye to the damaging effect of lime scale as well as encrusted dirt. **True Care Performance** offers an exclusive built-in Water Softener which combined with high wash pressure, necessary temperatures, efficiently distributed water, and a 4 level water filtration system giving you totally clean dishes with better end results than that of the competition. Not only will it preserve your fine china, crystal, and silverware, the Ariston dishwasher will even preserve itself from the long term effects of harmful minerals in the water. Just think how amazed your guest will be at the sight of your sparkling glasses, dishes, and silverware, and how happy you will be to know that your Ariston dishwasher is just as clean.

### Providing peaceful moments.

"**Silence**" means washing in total silence, giving you the chance to rest your mind as well. Ariston dishwashers guarantee perfect silence thanks to a new hydraulic system and tub insulation using special sound-absorbing materials and then completely enclosed in a suit of armor. And after all your friends' lively partying, a little bit of silence will be greatly appreciated.

### Getting and giving back.

#### "Efficiency"

While you are enjoying the day the Ariston dishwashers help preserve for the future but still living up to its demands. With a two pump and motor system combined with a **Hidden Heating Element** using less than 4 gallons of water, finished off with a natural condensation drying process guaranteeing great results every time. That is why this dishwasher is **Energy Star** qualified, which is good for you and for everyone else as well.

# Distinguishing features.

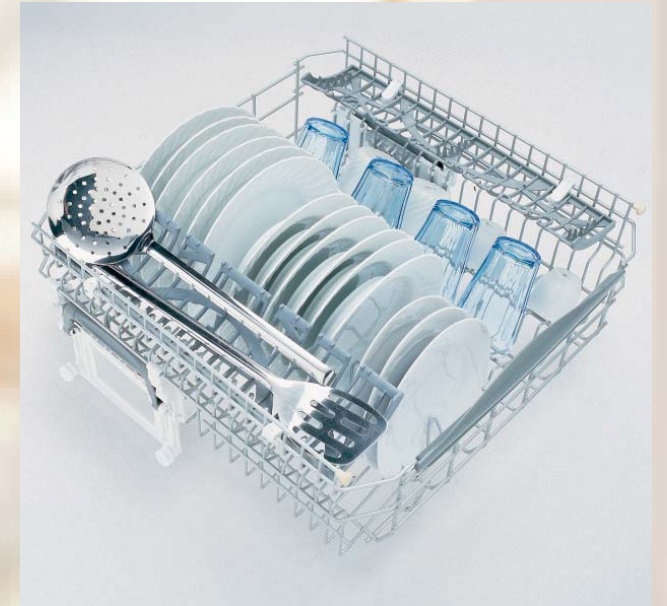
Set as many extra places at the dinner table as you want.



Do your friends or your children's friends often like to stay for lunch or dinner? Do you find yourself with stacks of plates, saucepans and glasses to wash every day? The new **MultiSystem** baskets mean that you have all the space you need to wash a huge amount of dishes at the same time.



The new attachments are also multifunctional allowing you to load cutlery and long knives, coffee cups and stemmed glasses safely and easily. Furthermore the practical **Click-Clack** system can be easily flicked up or down even when fully loaded without having to pull the racks out of its runners.



The top and bottom racks are as deep as they are wide offering more room to position your wash loads with ease. The fact that the MultiSystem racks have no restrictive tines provides flexibility in loading everytime. The top rack can be loaded to suit your needs – just everyday glasses to your finest champagne flutes to bowls and small plates, or a combination.



The silverware basket can be used as is, or split into 2 or 3 sections as and when needed. In particular the side sections can be hooked onto the sides of the bottom rack so as every little space is put to good use. Or use the **True Care Silverware Basket Divider** and protect your fine silver from scratching. So get out your recipe book, go wild and remember to invite as many friends as you want.

**Perfection in an instant**

1

Turbo-powered yet extremely delicate. The new **Super Dry** drying system is powerful enough to ensure perfect results in just 25' thanks to a hot air flow which dries the dishes while a powerful fan sucks up the steam which forms at the end of the cycle. So drips and marks disappear in a flash.



**Baked on casserole dishes no longer soak in the sink overnight**

**Pots Plus Wash** provides a heavy dose of heated water and fresh water fills to take care of the stickiest of messes.

2



**It's up to you**

Wouldn't you like to be able to manage your time as you wish? **Delay Timer** means you can set the wash start time for any time of the day even if you are not at home, up to 12 hours in advance. Doesn't this make time seem like more of a friend?

6



**Time to think about other things**

The **Sensor System** means that Ariston's new dishwasher is able to optimise the wash cycle by processing all the information with great precision, intelligence and efficiency and independently deciding on the wash temperature, cycle length and number of rinses needed to obtain perfect results every time. So you don't have to think about it anymore.

7



**Quick, fast, immediate**

The **Rapid 30'** cycle speaks for itself. Your lightly soiled dishes will be clean and ready for use in no time at all.

3

**Safety is simple**

Or rather safety is being able to rely on the new **Overflow** control system which is able to constantly monitor the amount of water the dishwasher loads, thus avoiding the familiar problems caused by blockages or too much foam.

The **Water Stop** safety system makes it possible to detect any leak and immediately stop the dishwasher from working and water from entering. So leaks will become a thing of the past.

4



**Crystal clear and safe**

The "exclusive" **Crystal Care Wash** made possible because of the built-in water softener combined with delicate wash temperatures and multiple fresh water fills protecting your most delicate wash loads from any damaging effects. So put your most prized items in a safe place, your Ariston dishwasher.

8

**Half the work, double the results**

Is your dishwasher only half full but you don't want to wait? No problem, you can load the top basket and the new **Half Load option** will let you wash your dishes while saving time, water and energy.

5



**Open to new ideas**

The door has been completely redesigned for even extra sturdiness and the innovative mechanism used by Ariston's new dishwashers allows for easy and handy door opening.

9

**10 Even the water is different**

Water also features among the things we've changed, or more precisely the distribution of water during the wash. The **sprayers'** totally new shape and angle allow them to cover all the basket area, guaranteeing a more powerful and efficient wash.

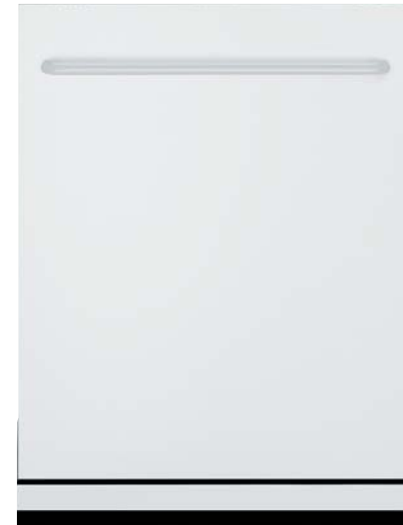
**"Elegance is in style"**

Hidden controls, sophisticated design lines, and a softly curved handle, the Elegance Dishwashers from Ariston will make the perfect style statement. Or, if you choose Elegance can be out of sight and out of mind by simply applying the custom panel of your choice, which when combined with the extremely silent operation of the dishwasher makes the heart of your home, the kitchen, the place together.



**"A true Premiere"**

Introducing the style that is worthy of Premiere status; Combining a subtle curved control panel and door with soft touch opening and a quality feel in construction that has no comparison. The visible ergonomically designed controls make program selections simple to use. Style comes in many shapes and sizes but Premiere seems to be a step ahead of the rest.



## LI 700 S



True Care System - Built-In Water Softener  
49 dBA  
Energy Star certified  
Platinum MultiSystem Racks and Basket (III)  
Stainless Steel Interior (door and tub)

Sensor System  
Super Dry (Turbo Fan)  
Water Stop Protection

7 wash cycles and 3 options  
Extra Dry Option  
Super Wash  
Pots Plus Wash  
Crystal Care Wash  
Half Load  
Delay Timer (2/4/6 h)  
Click-Clack (automatic adjust/removable upper rack)

Color Options:  
Stainless Steel, and Integrated

Concealed Controls (Accepts 3/4" custom panel)

Also available: LI 700 I

## LI 670 S



True Care System - Built-In Water Softener  
51 dBA  
Energy Star certified  
Platinum MultiSystem Racks and Basket (II)  
Stainless Steel Interior (door and tub)

Sensor System  
Dynamic Drying (Natural Condensation Dry)  
Water Stop Protection

7 wash cycles and 1 option  
Extra Dry Option  
Super Wash  
Pots Plus Wash  
Crystal Care Wash  
Click-Clack (automatic adjust/removable upper rack)

Color Options:  
White, Black and Stainless Steel

Also available: LI 670 B, LI 670 W

## LI 640 W



True Care System - Built-In Water Softener  
53 dBA  
Energy Star certified  
White MultiSystem Racks and Basket (I)  
Stainless Steel Interior (door and tub)

Dynamic Drying (Natural Condensation Dry)  
Flow Meter & Float Switch Protection

4 wash cycles and 1 option  
Extra Dry Option  
Intensive Wash  
Manual (adjustable/removable upper rack)

Color Options:  
White, Black, Stainless Steel, and Integrated

Concealed Controls (Accepts 3/4" custom panel)

Also available: LI 640 S, LI 640 B, LI 640 I



## LL 65 B



True Care System - Built-In Water Softener  
49 dBA  
Energy Star certified  
Platinum MultiSystem Racks and Basket (III)  
Stainless Steel Interior (door and tub)

Super Dry (Turbo Fan)  
Water Stop Protection

6 wash cycles and 2 options  
Half Load  
Delay Timer (3/6/9/12 h)  
Intensive Wash  
Crystal Care Wash  
Click-Clack (automatic adjust/removable upper rack)

Color Options:  
White, Black and (finger print free) Stainless Steel

2" Low profile

Also available: LL 65 W, LL 65 S



## LL 64 S



True Care System - Built-In Water Softener  
51 dBA  
Energy Star certified  
Platinum MultiSystem Racks and Basket (II)  
Stainless Steel Interior (door and tub)

Dynamic Drying (Natural Condensation Dry)  
Water Stop Protection

6 wash cycles  
Intensive Wash  
Crystal Care Wash  
Click-Clack (automatic adjust/removable upper rack)

Color Options:  
White, Black and (finger print free) Stainless Steel

2" Low profile

Also available: LL 64 W, LL 64 B



## L 63 W



True Care System - Built-In Water Softener  
53 dBA  
Energy Star certified  
White MultiSystem Racks and Basket (I)  
Stainless Steel Interior (door and tub)

Dynamic Drying (Natural Condensation Dry)  
Flow Meter & Float Switch Protection

5 wash cycles  
Intensive Wash  
Manual (adjustable/removable upper rack)

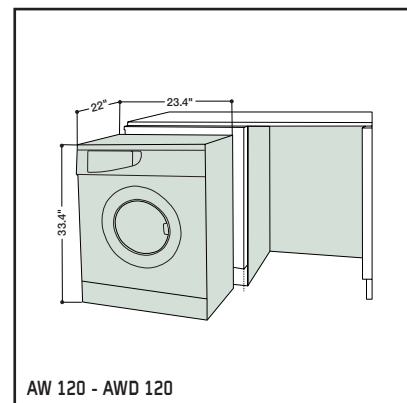
Color Options:  
White, Black and (finger print free) Stainless Steel

2" Low profile

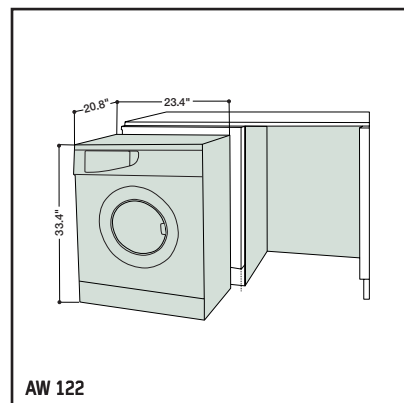
Also available: L 63 B, L 63 S

Model	AW 120	AW 122	AWD 120
<b>Special Features</b>			
Dynamic Wash System	▪	▪	▪
Energy Star Certified	▪	▪	▪
Combination Condensation Drying System	▪	▪	▪
Electronic/Smart Controls	▪	▪	▪
Liquid Bleach / Stain Removal option	▪	▪	▪
Spin Speed Maximum	1200 rpm	1200 rpm	1200 rpm
Delay Timer 1/3/9/12	▪	▪	▪
State of Wash Indicator	▪	▪	▪
Detergent recovery system	▪	▪	▪
Heating Element Sanitizing cycle 160°F	▪	▪	▪
<b>Primary Functions and Display Commands</b>			
Interface (Electronic Dials and Buttons)	Led	Led	Led
Multiple temperature adjustment	▪	▪	▪
Dry Time Adjustment	▪	▪	Dial
Multiple Spin Speed Regulation (400 to 1200 rpm)	Dial	Dial	▪
Spin Speed Throttle Down (1200-600 & 850-450 rpm)	▪	▪	Button
Cotton Wash (Heavy, Regular, Light)	▪	▪	▪
Permanent Press Wash (Heavy, Regular, Light)	▪	▪	▪
Hand Washables (Delicates, Silk, Wool)	▪	▪	▪
Soaking button	▪	▪	▪
Extra Rinse button	▪	▪	▪
Easy Iron button	▪	▪	▪
Pre-Wash button	▪	▪	▪
Anti Foam Protection	▪	▪	▪
On/Off button	▪	▪	▪
Dry LED	▪	▪	▪
Door Lock LED	▪	▪	▪
<b>Product Structure</b>			
Stainless Steel Tub/Drum	▪	▪	▪
180° porthole opening	▪	▪	▪
12 inch opening	▪	▪	▪
Rotating detergent drawer	▪	▪	▪
Program key	▪	▪	▪
Voltage/Frequency/Amps	115 V / 60 Hz / 13 Amps	115 V / 60 Hz / 13 Amps	115 V / 60 Hz / 13 Amps
Product Weight Packaged	165 (lbs) / 75 (kg)	165 (lbs) / 75 (kg)	165 (lbs) / 75 (kg)
Product Weight Un-Packaged	161 (lbs) / 73 (kg)	161 (lbs) / 73 (kg)	161 (lbs) / 73 (kg)
<b>Performance</b>			
DOE/EPA Energy Guide	155 kWh/year	155 kWh/year	155 kWh/year
Energy test washing capacity	12 (lbs) / 5,5 (kg)	12 (lbs) / 5,5 (kg)	12 (lbs) / 5,5 (kg)
Maximum Load	13 (lbs) / 6 (kg)	12 (lbs) / 5,5 (kg)	13 (lbs) / 6 (kg)
Drying Capacity	▪	▪	8 (lbs) / 3.6 (kg)
<b>Safety</b>			
Overflow	▪	▪	▪
<b>Dimensions</b>			
Height	33.4" / 85 cm	33.4" / 85 cm	33.4" / 85 cm
Width	23.4" / 59.5 cm	23.4" / 59.5 cm	23.4" / 59.5 cm
Depth	22" / 56 cm	20.8" / 53 cm	22" / 56 cm

Ariston reserves the right to bring changes to the products specification without notice UL and CUL listed.



AW 120 - AWD 120



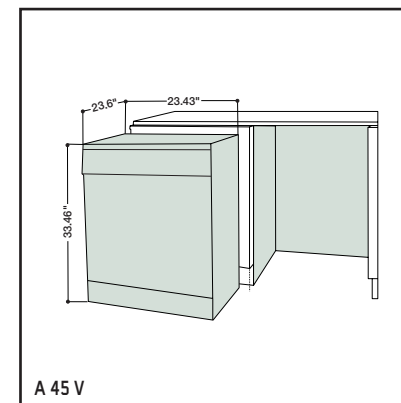
AW 122

Warranty: 2 years parts & labor, 5 years on all the electronic components (parts only), lifetime warranty against rust - through on stainless steel tub (certain limitations apply, see manufacturers limited warranty for details).

For planning purposes only, for details see care & use manual Staked installation Height 67"

Model	A 45 V
<b>Special Features</b>	
Bi-Directional Rotation	▪
Electronic/Smart Controls	▪
Sensor Drying (Set & Forget)	▪
Crease Care Protection	▪
<b>Primary Functions and Display Commands</b>	
Interface (Electronic Dial and Buttons)	Led
Automatic Cotton (extra, light, & iron dry)	▪
Automatic Permanent Press (extra, light, & iron dry)	▪
Timed Dry (40, 30, & 20 minutes)	▪
Air Fluff	▪
Easy Iron	▪
On/Off button	▪
Start button	▪
Drying led	▪
Heating led	▪
Low Heat led	▪
<b>Product Structure</b>	
Vented	▪
180° porthole opening (reversible)	Full Metal Door
Removable Filter	▪
Stainless Steel Tub/Drum	▪
Venting hole	Rear Left
Voltage/Frequency/Amps	208-240 V / 60 Hz / 13 Amps
Product Weight Packaged	82 (lbs) / 37 (kg)
Product Weight Un-Packaged	78 (lbs) / 35.8 (kg)
Stacking Kit	▪
Includes 208-240/60hz 4 prong plug	▪
<b>Performance</b>	
Drying capacity	13 (lbs) / 6 (kg)
<b>Dimensions</b>	
Height	33.4" / 85 cm
Width	23.4" / 59.5 cm
Depth	23.6" / 60 cm

Ariston reserves the right to bring changes to the products specification without notice UL and CUL listed.



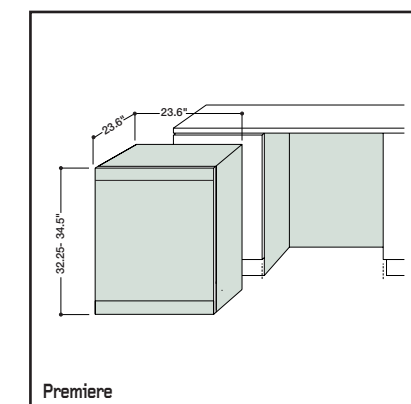
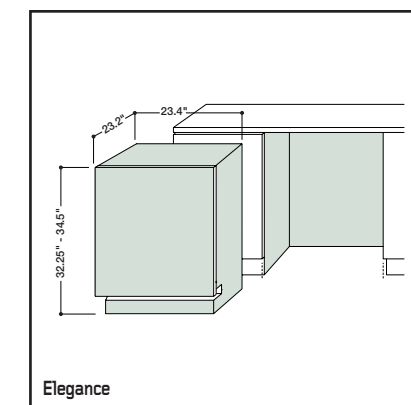
A 45 V

Warranty: 2 years parts & labor, 5 years on all the electronic components (parts only), lifetime warranty against rust - through on stainless steel tub (certain limitations apply, see manufacturers limited warranty for details).

For planning purposes only, for details see care & use manual Staked installation Height 67"

Model	LI 700	LI 670	LI 640	LL 65	LL 64	L 63
<b>Design</b>	Elegance	Elegance	Elegance	Premiere	Premiere	Premiere
<b>Colors</b>	Integrated S. Steel	W/B S. Steel	W/B/Integrated S. Steel	W/B/S.Steel (Finger Print Free)	W/B/S.Steel (Finger Print Free)	W/B/S.Steel (Finger Print Free)
<b>Special Features</b>						
Energy Star	▪	▪	▪	▪	▪	▪
True Care System (Automatic Water Softener)	▪	▪	▪	▪	▪	▪
Super Dry (Turbo Fan)	▪	▪	▪	▪	▪	▪
Extra Dry Option	▪	▪	▪	▪	▪	▪
Silence level	49 dBA	51 dBA	53 dBA	49 dBA	51 dBA	53 dBA
Concealed Heating Element (Flow Through Heat Exchanger)	▪	▪	▪	▪	▪	▪
MultiSystem Racks	▪	▪	▪	▪	▪	▪
Sensor System	▪	▪	▪	▪	▪	▪
Delay Timer (h)	2/4/6			3/6/9/12		
Half Load (Upper Rack)	▪	▪	▪	▪	▪	▪
<b>Main Features</b>						
Wash Programs & Options	7+3 options	7+1 option	4+1 option	6+2 options	6	5
Intensive Wash	▪	▪	▪	▪	▪	▪
Super Wash	Auto	Auto	▪	▪	▪	▪
Regular Wash	Auto	Auto	▪	▪	▪	▪
Eco-Wash	Auto	Auto	▪	▪	▪	▪
Rapid Wash (30')	▪	▪	▪	▪	▪	▪
Crystal Care Wash	▪	▪	▪	▪	▪	▪
Pots Plus Wash	Auto	Auto	▪	▪	▪	▪
Soak	▪	▪	▪	▪	▪	▪
Washing Temperatures (up to 160°F)	▪	▪	▪	▪	▪	▪
Wash Levels	4	4	4	4	4	4
Drying System	Super Dry	Dynamic Drying	Dynamic Drying	Super Dry	Dynamic Drying	Dynamic Drying
No. of Place Settings	12	12	12	12	12	12
<b>Primary Functions and Display Commands</b>						
Control Interface / Programs	Electronic Push Button	Electronic Push Button	Electronic Push Button	Electronic Push Button	Electronic Push Button	Electronic Dial
On/Off button	▪	▪	▪	▪	▪	▪
Start/Reset button	▪	▪	▪	▪	▪	▪
Extra Dry button	▪	▪	▪	▪	▪	▪
Rinse Aid Refill light	▪	▪	▪	▪	▪	▪
Salt Refill light	▪	▪	▪	▪	▪	▪
Program Indicator LED	▪	▪	▪	▪	▪	▪
Wash sequence LED	▪	▪	▪	▪	▪	▪
Cancel Drain Option	▪	▪	▪	▪	▪	▪
<b>Product Structure</b>						
2 Pump and Motor System	▪	▪	▪	▪	▪	▪
Stainless Steel Tub and Inner Door	▪	▪	▪	▪	▪	▪
4 Piece Stainless Steel Filter	▪	▪	▪	▪	▪	▪
Adjustable Rinse Aid Dispenser	▪	▪	▪	▪	▪	▪
MultiSystem Racks & Cutlery Basket	III	II	I	III	II	I
Nylon coated colors	Platinum	Platinum	White	Platinum	Platinum	White
Adjustable / Removable Upper Rack	Click-Clack / ▪	Click-Clack / ▪	▪ / ▪	Click-Clack / ▪	Click-Clack / ▪	▪ / ▪
Detergent dispenser with pre-wash compartment	▪	▪	▪	▪	▪	▪
3 Piece MultiSystem Cutlery Basket	▪	▪	▪	▪	▪	▪
True Care Cutlery Basket Divider	▪	▪	▪	▪	▪	▪
Full Exterior Side Panels	▪	▪	▪	▪	▪	▪
Enclosed Bottom Pan	▪	▪	▪	▪	▪	▪
Voltage/Frequency/Amps	120 V / 60 Hz / 15 Amps	120 V / 60 Hz / 15 Amps	120 V / 60 Hz / 15 Amps	120 V / 60 Hz / 15 Amps	120 V / 60 Hz / 15 Amps	120 V / 60 Hz / 15 Amps
Product Weight Packaged	98 (lbs) / 44.5 (kg)	98 (lbs) / 44.5 (kg)	98 (lbs) / 44.5 (kg)	105 (lbs) / 47.5 (kg)	105 (lbs) / 47.5 (kg)	105 (lbs) / 47.5 (kg)
Product Weight Un-Packaged	91 (lbs) / 41.2 (kg)	91 (lbs) / 41.2 (kg)	91 (lbs) / 41.2 (kg)	98 (lbs) / 44.4 (kg)	98 (lbs) / 44.4 (kg)	98 (lbs) / 44.4 (kg)
<b>Safety</b>						
Bottom Pan Floater Switch	▪	▪	▪	▪	▪	▪
Flow Meter	▪	▪	▪	▪	▪	▪
Water Stop (dual valve system)	▪	▪	▪	▪	▪	▪
<b>Dimensions/Installation</b>						
Fast Fix Installation System	▪	▪	▪	▪	▪	▪
Flexible Side Filler Strips (brings unit to 24")	▪	▪	▪	▪	▪	▪
2" Extension Panel (removable for European Cabinet Installation)	▪ (except I model)	▪	▪ (except I model)	▪	▪	▪
Adjustable Toe Kick	▪	▪	▪	▪	▪	▪
Accepts 3/4" Custom Panels	▪	▪	▪	▪	▪	▪
Height	32.25"-34.5" / 82-87.5 cm	32.25"-34.5" / 82-87.5 cm	32.25"-34.5" / 82-87.5 cm	32.25"-34.5" / 82-87.5 cm	32.25"-34.5" / 82-87.5 cm	32.25"-34.5" / 82-87.5 cm
Width (without filler strips)	23.4" / 59.5 cm	23.4" / 59.5 cm	23.4" / 59.5 cm	23.6" / 60 cm	23.6" / 60 cm	23.6" / 60 cm
Depth	23.2" / 59 cm	23.2" / 59 cm	23.2" / 59 cm	23.6" / 60 cm	23.6" / 60 cm	23.6" / 60 cm

Ariston reserves the right to bring changes to the products specification without notice UL and CUL listed.



For planning only, for details see care & use manual

### Multisystem Rack and Cutlery Basket

	Upper	Lower	Cutlery Basket	Cup shelves	Color
III	Design handle + Click Clack	Design handle 2 flip tines	3 piece with cover	2	Platinum
II	Click Clack	2 flip tines	1 piece with cover	2	Platinum
I	Manual Adjustment	2 flip tines	1 piece with cover	1	White

Warranty: 2 Years parts & labor, 5 years on all electronic components (parts only), 5 years on rack (parts only), lifetime warranty against rust-through on stainless steel tub and door. (Certain limitations apply, see manufactures limited warranty details)