

# Sonance Symphony® Series In-Ceiling Speakers



Symphony  
S625<sub>TR</sub>

## Sonance Symphony® In-Ceiling Speakers

Sonance Symphony® in-ceiling speakers establish the benchmark for quality, performance and versatility. Ideal for both multi-channel home theater and stereo music applications, Symphony in-ceiling speakers deliver impressive musical performance, yet they effortlessly integrate into almost any lifestyle.

The new fully-pivoting woofer assembly and pivoting tweeters direct sound for maximum performance, even with less-than-ideal placement. With paintable aluminum grilles and a small diameter that let them practically disappear into the décor, Sonance Symphony in-ceiling speakers bring high-quality entertainment to life anywhere in the home without taking-up valuable floor space.

### Features:

- Fully-pivoting woofers and pivoting tweeters direct sound at listeners for clear sound even when placement options are limited.
- 6½" Woofers give all Symphony Series speakers a small footprint that increases installation options.
- Advanced woofer cone materials for robust, low-distortion bass.
- Tweeter acoustic back chamber widens and smoothes high-frequency performance.
- Large woofer magnets increase output and power handling.
- 3-Position tweeter adjustment switch (S625<sub>TR</sub>/S624<sub>TR</sub>/S623<sub>TR</sub>).
- RotoLock® mounting system makes installation quick and easy.
- Paintable aluminum grilles.
- Large connection terminals accept up to 14AWG speaker wire.
- Optional Retrofit Enclosure (part #92098) reduces sound spillover from rear of speaker into adjacent spaces.
- SRS1 creates diffuse soundfield ideal for surround channel use.



The Leader in Architectural Audio™

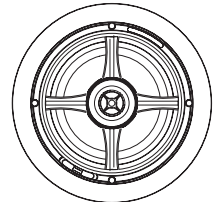
[www.sonance.com](http://www.sonance.com)

212 Avenida Fabricante  
San Clemente, CA 92672-7531 USA  
(800) 582-7777 or (949) 492-7777  
FAX: (949) 361-5151  
Technical Support: (800) 582-0772

## SPECIFICATIONS

### S625<sub>TR</sub>

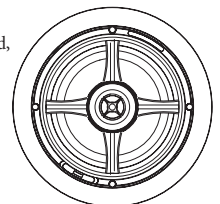
Tweeter	1" (25mm) Beryllium dome, Ferrofluid cooled, pivoting, in acoustic back chamber
Woofer	6½" (165mm) Beryllium cone, rubber surround, pivoting
Frequency Response	40Hz – 20kHz ±3dB
Impedance	6 Ohms nominal; 4 Ohms minimum
Power Handling	5 watts minimum; 150 Watts maximum
Sensitivity	90dB SPL (2.83V 1 meter)
Grille Material	Perforated aluminum
Adjustments	±3dB tweeter level
Dimensions (Dia. x Depth)	9¾" (248mm) x 5 <sup>3</sup> / <sub>16</sub> " (132mm)
Cutout Diameter	8 <sup>7</sup> / <sub>32</sub> " (207mm)
Shipping Weight	12 lbs. (5.45 KG) Pair



Symphony S625<sub>TR</sub>

### S624<sub>TR</sub>

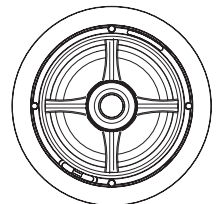
Tweeter	1" (25mm) Aluminum dome, Ferrofluid cooled, pivoting, in acoustic back chamber
Woofer	6½" (165mm) Coated carbon fiber cone, rubber surround, pivoting
Frequency Response	43Hz – 20kHz ± 3dB
Impedance	6 Ohms nominal; 4 Ohms minimum
Power Handling	5 watts minimum; 140 Watts maximum
Sensitivity	90dB SPL (2.83V 1 meter)
Grille Material	Perforated aluminum
Adjustments	±3dB tweeter level
Dimensions (Dia. x Depth)	9¾" (248mm) x 5 <sup>3</sup> / <sub>16</sub> " (132mm)
Cutout Diameter	8 <sup>7</sup> / <sub>32</sub> " (207mm)
Shipping Weight	11 lbs. (5.0 KG) Pair



Symphony S624<sub>TR</sub>

### S623<sub>TR</sub>

Tweeter	1" (25mm) Silk dome, Ferrofluid cooled, pivoting, in acoustic back chamber
Woofer	6½" (165mm) Carbon fiber cone, rubber surround, pivoting
Frequency Response	43Hz – 20kHz ±3dB
Impedance	8 Ohms nominal; 6 Ohms minimum
Power Handling	5 watts minimum; 135 Watts maximum
Sensitivity	90dB SPL (2.83V 1 meter)
Grille Material	Perforated aluminum
Adjustments	±3dB tweeter level
Dimensions (Dia. x Depth)	9¾" (248mm) x 5 <sup>3</sup> / <sub>16</sub> " (132mm)
Cutout Diameter	8 <sup>7</sup> / <sub>32</sub> " (207mm)
Shipping Weight	10 lbs. (4.5 KG) Pair

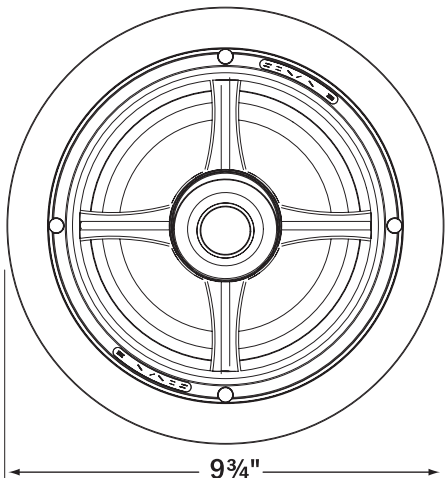
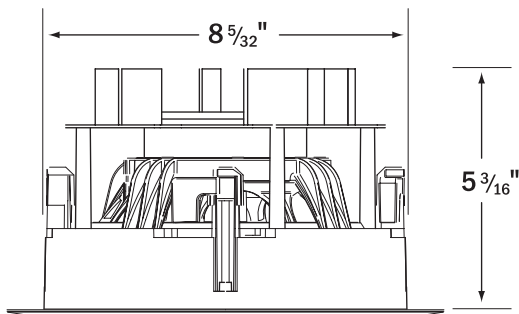


Symphony S623<sub>TR</sub>

(continued on reverse)

# Sonance Symphony® Series In-Ceiling Speakers

## DIMENSIONS (all Symphony In-Ceiling speaker models)



### S622<sub>TR</sub>

Tweeter

1" (25mm) Silk dome, Ferrofluid-cooled, pivoting, in acoustic back chamber

Woofer

6½" (165mm) Polypropylene cone, rubber surround, pivoting

Frequency Response

45Hz – 20kHz ±3dB

Impedance

8 Ohms nominal; 6 Ohms minimum

Power Handling

5 watts minimum; 125 Watts maximum

Sensitivity

89dB SPL (2.83V 1 meter)

Grille Material

Perforated aluminum

Adjustments

None

Dimensions (Dia. x Depth)

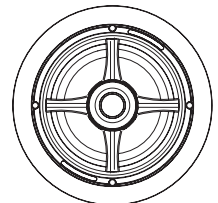
9¾" (248mm) x 5³/₁₆" (132mm)

Cutout Diameter

8⁵/₃₂" (207mm)

Shipping Weight

10 lbs. (4.5 KG) Pair



Symphony S622<sub>TR</sub>

### S621<sub>TR</sub>

Tweeter

¾" (19mm) Silk dome, Ferrofluid-cooled

Woofer

6½" (165mm) Polypropylene cone, rubber surround

Frequency Response

50Hz – 20kHz ±3dB

Impedance

8 Ohms nominal; 6 Ohms minimum

Power Handling

5 watts minimum; 100 Watts maximum

Sensitivity

88dB SPL (2.83V 1 meter)

Grille Material

Perforated aluminum

Adjustments

None

Dimensions (Dia. x Depth)

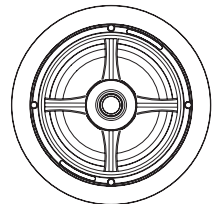
9¾" (248mm) x 5³/₁₆" (132mm)

Cutout Diameter

8⁵/₃₂" (207mm)

Shipping Weight

9 lbs. (4.1 KG) Pair



Symphony S621<sub>TR</sub>

### SRS1

Tweeter

Two - 1.0" (25mm) Silk domes, Ferrofluid-cooled

Woofer

6½" (165mm) Carbon fiber cone, rubber surround

Frequency Response

55 Hz – 20 kHz ±3dB

Sensitivity

90dB SPL (2.83V 1 meter)

Power Handling

5 watts min; 150 watts max

Impedance

8 ohms nominal; 7 ohms minimum

Grille Material

Perforated aluminum

Adjustments

None

Dimensions (Dia. x Depth)

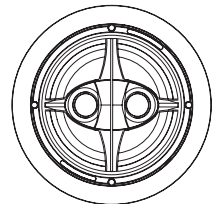
9¾" (248mm) x 5³/₁₆" (132mm)

Cutout Diameter

8⁵/₃₂" (207mm)

Shipping Weight

11 lbs. (5.0 KG) Pair



Symphony SRS1



The Leader in Architectural Audio™

[www.sonance.com](http://www.sonance.com)

212 Avenida Fabricante  
San Clemente, CA 92672-7531 USA  
(800) 582-7777 or (949) 492-7777  
FAX: (949) 361-5151  
Technical Support: (800) 582-0772