

Fully Integrated
36" Bottom Mount

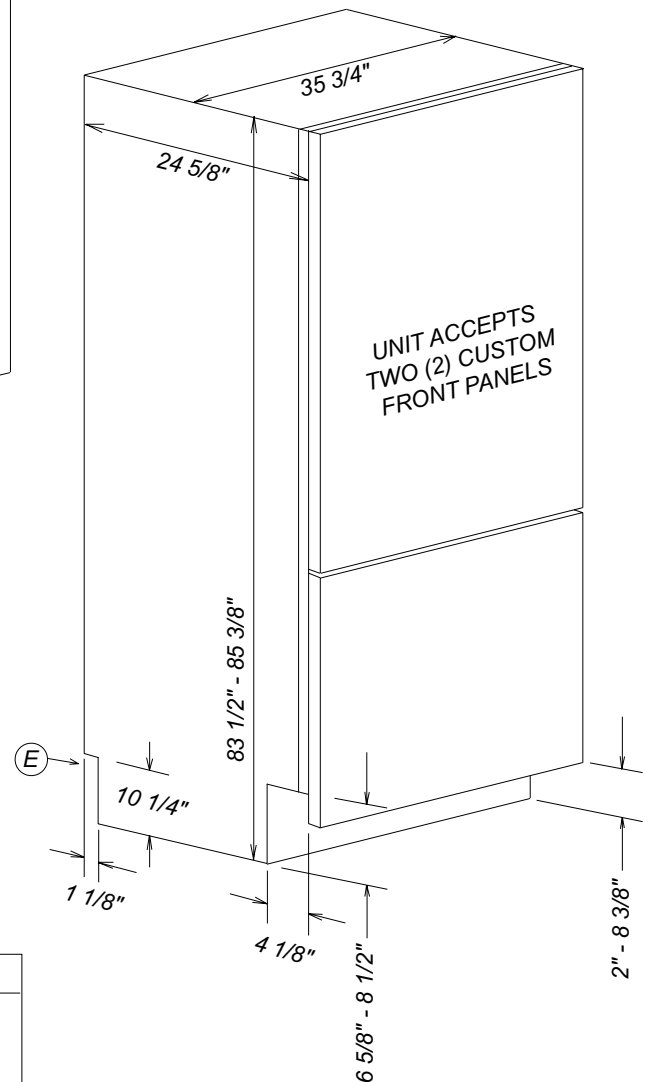
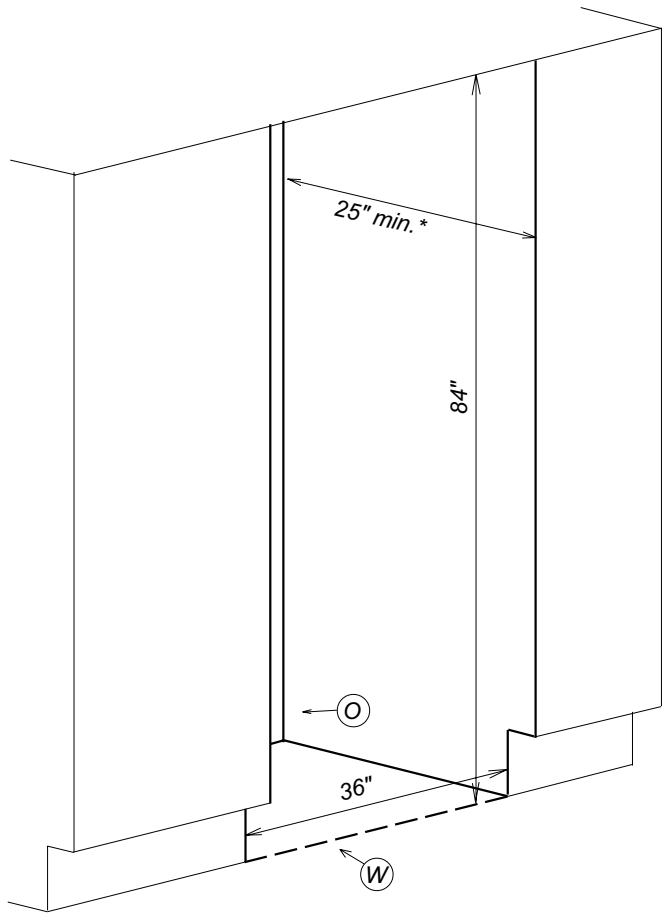
KF 1913 Vi / KF 1903 Vi



Fully Integrated 36" Bottom Mount KF 1913 Vi / KF 1903 Vi



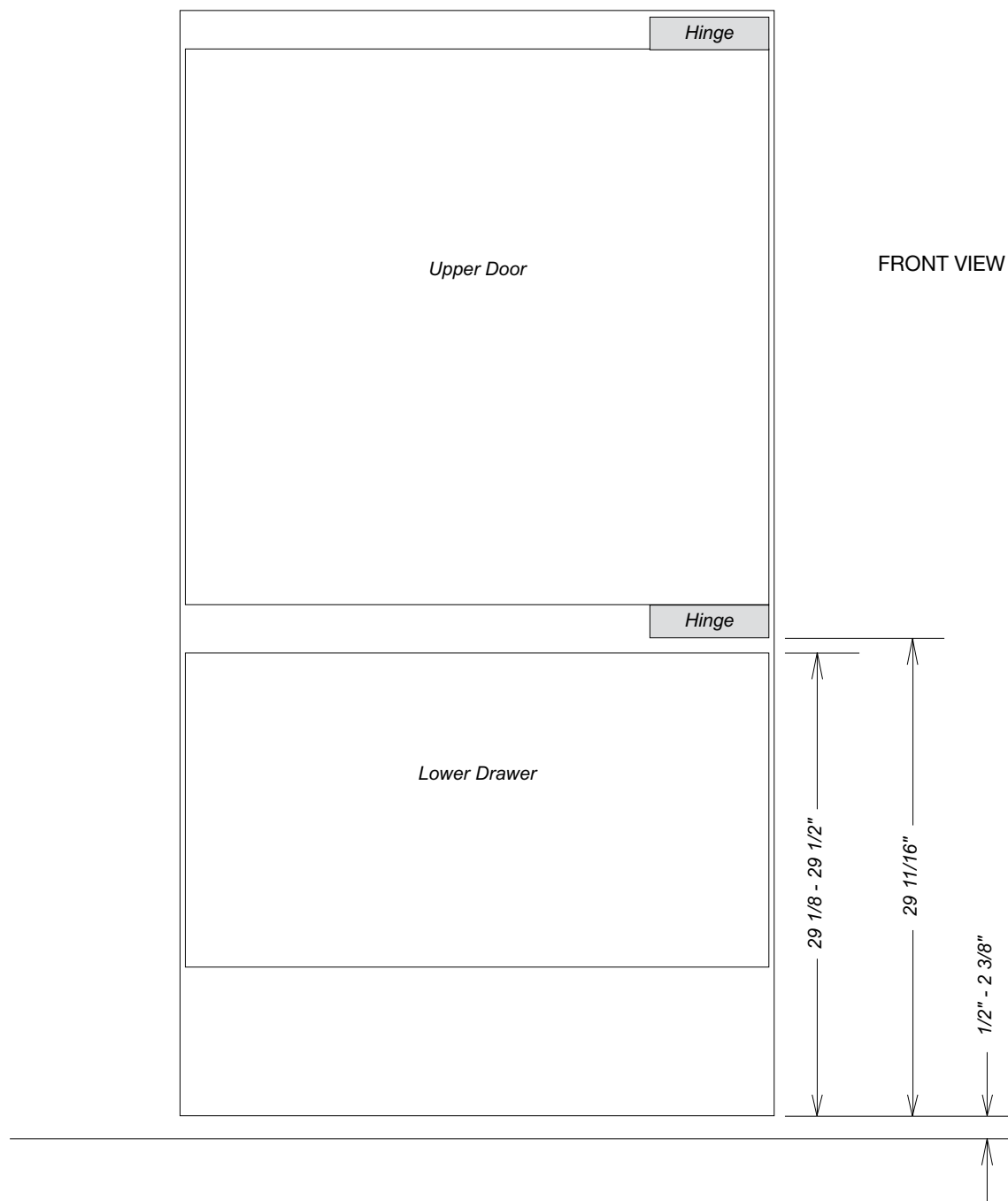
FOR FLUSH INSTALLATION



Location Codes
E - 5 foot - 120 Volt - 15 Amp 3-wire molded plug power supply connects lower left rear
O - Standard NEMA 5-15 Duplex Outlet - locate less than 9" above finished floor
W - 1/4" flexible water line - tape to floor
Notes
<ul style="list-style-type: none"> • All Installations must be done in accordance with local codes • Sides of adjoining cabinets should be filled (flush to frame) to insure proper fit and finish • For Proud Installation - please adjust accordingly

* Depth assumes a 3/4" panel, please adjust according to custom panel thickness

LOWER HINGE LOCATION



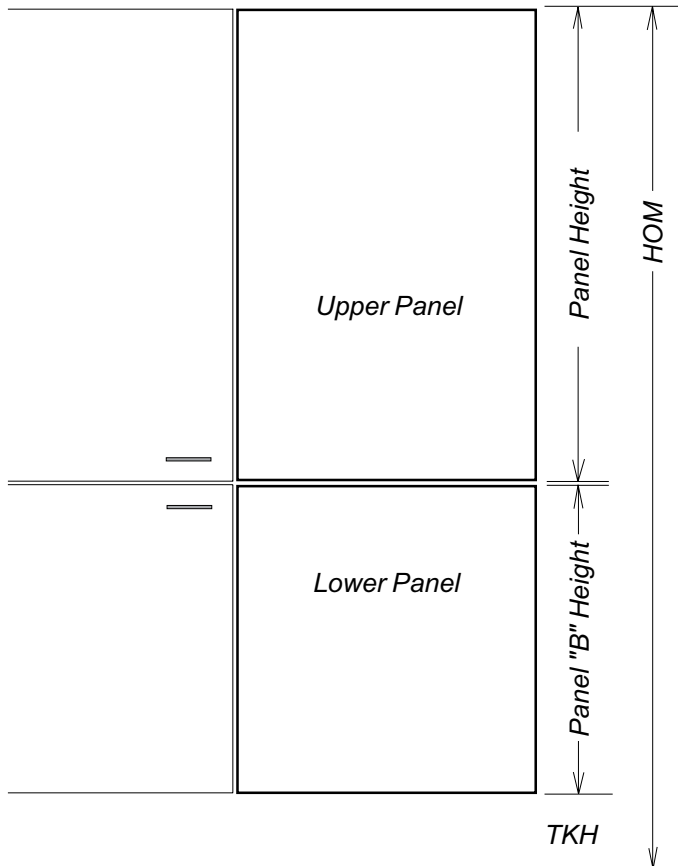
Fully Integrated 36" Bottom Mount KF 1913 Vi / KF 1903 Vi



CUSTOM PANEL INSTALLATIONS

These units do not come equipped with a front panel. They are designed to accept a custom door panel supplied by the cabinet maker. Miele has a unique panel integration system which allows the panels to align with the surrounding cabinets.

Panel size is determined in the following manner:



Width: 35 3/4" in all cases
Thickness: Minimum 3/4" outside frame

Standard Upper Panel Height: 53 5/16"

Notes: Finish back side of panels to insure appearance
 Panel may extend above unit. This is **not** considered in height calculation

Upper Maximum panel weight: 83.8 Pounds

Lower Panel Height: Use the following calculation:

Panel Height = HOM - 53 9/16 - TKH

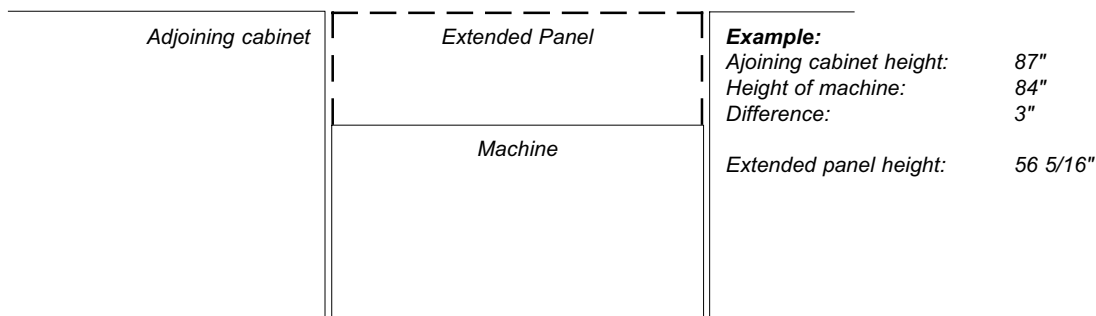
HOM = Total height of machine. Can be adjusted to match adjoining cabinets - **typically 84"**
 HOM is adjustable between 83 1/2" - 85 3/8"

TKH = Toe-kick height (2" - 8 3/8")

Lower Maximum panel weight: 31 Pounds

Upper Panel Notes

If the adjoining cabinets are taller than the height of machine (HOM) - the upper panel may be extended accordingly. Find the difference between height of the adjoining cabinets and the height of machine (HOM) and add to 53 5/16"



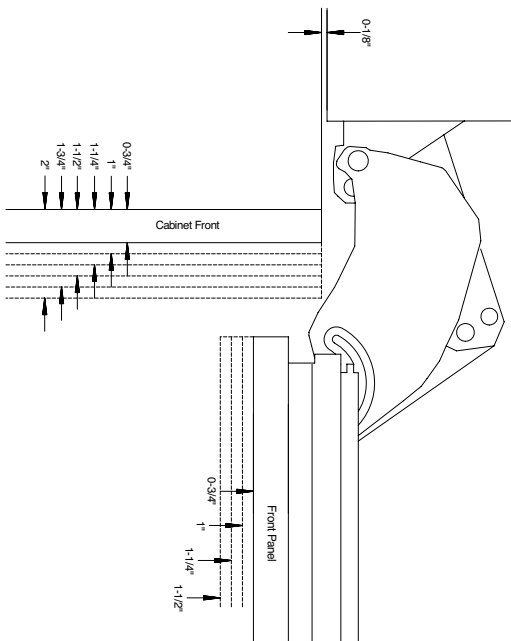
Fully Integrated 36" Bottom Mount KF 1913 Vi / KF 1903 Vi



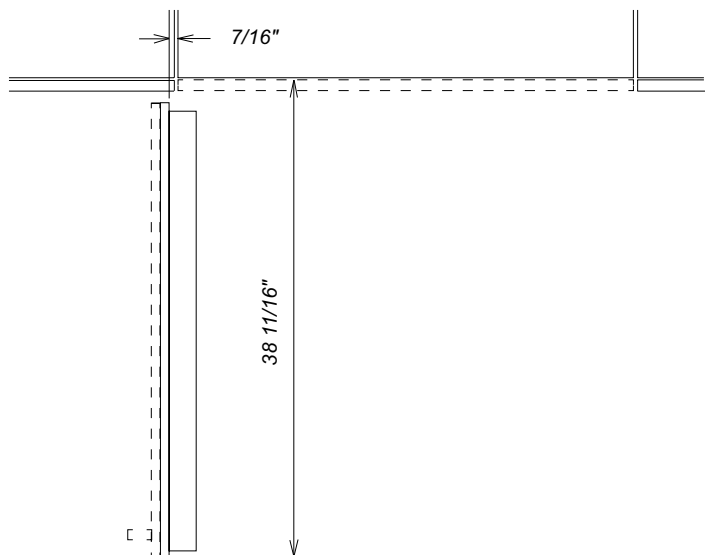
HINGING DETAILS

90° Door

Thickness options



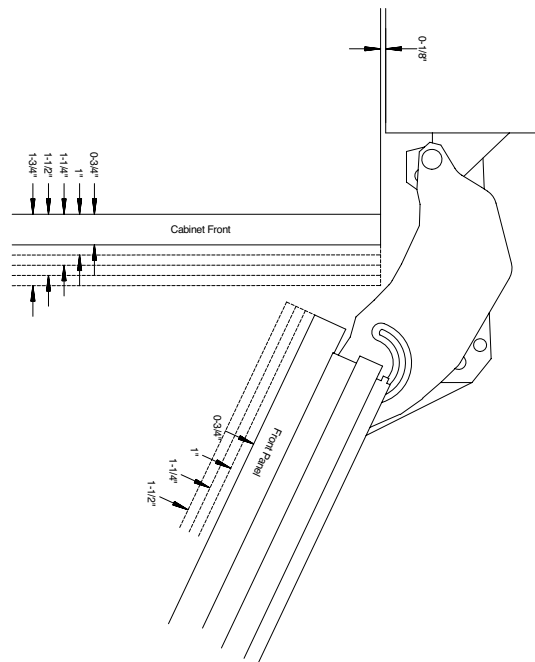
Door Swing



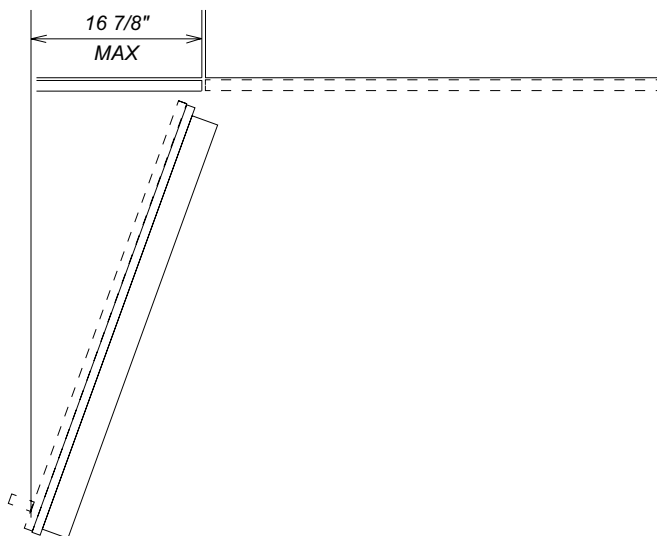
NOTE: Additional space needed depending on thickness of front panels and handle used

115° Door

Thickness options



Door Swing



NOTE: Additional space needed depending on thickness of front panels and handle used