

*Frigidaire*



*Built-In Ovens*



# Built-In Ovens

Today as always, Frigidaire® innovation leads the home appliance industry. Our ingenuity anticipates consumer demand, delivering products of exceptional performance, convenience and style. From saving time to saving energy, Frigidaire® embodies the cutting edge of appliance design.

Choose from an extensive line of Frigidaire® built-in ovens. From double stainless steel to singles in black, white or bisque... all filled with features consumers want most. Like our Hidden Bake Element. It's a porcelain plate with a tapered front that covers the bottom heating element, making it easy to wipe up spills. For routine oven cleaning, Frigidaire® provides more cleaning levels, including Speed Clean and Maxx Clean™, for the ultimate in flexibility.

For culinary tools as creative as your cooking, Frigidaire® quality leads the way.

## KEY FEATURES



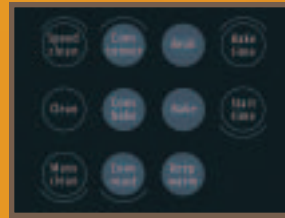
**EvenCook<sup>3</sup>™ Element Convection System** creates the ultimate cooking airflow. Baking and roasting times are up to 30% shorter and foods are juicier and more evenly browned. The European design, with a 3rd element surrounding the fan, helps eliminate temperature fluctuations and delivers excellent multiple rack cooking performance.



**Increased Oven Capacity** has gone from 3.1 to 3.5 cubic feet on 27" electric oven models and 3.7 to 4.2 cubic feet on 30" models, providing more cooking space.



**SpeedBake® Convection System** is initiated at the touch of a switch, and is designed to deliver premium performance at a modest price, as well as being up to 30% faster!



**Speed Clean/Maxx Clean™** offers 2 special cleaning options. Speed Clean, for light soils is 33% faster and Maxx Clean™, for heavy soils provides 25% more cleaning power.



**Hidden Bake Element** is the lower heating element protected by a porcelain plate with a tapered front, which helps ensure quick and safe cleanup.



**Warm & Serve® Drawer** is designed to keep "HOT" foods hot for serving at your convenience. Suitable for prepared dinner plates, warm breads and pastries, pies and other warm desserts.



**Convection Convert** automatically converts and displays new convection cooking temperature, eliminating the guesswork.



**Extra-Large Visualite® Window** is larger than the standard window. The large viewing area allows the cook to check progress without opening the oven door.



**Star-K Kosher Certification** is given to select oven models that feature the Sabbath mode in keeping with kosher cooking practices during the observance of the Sabbath and holidays. (Available on all 30" and 27" wall ovens – excluding model GLEB27S7C.)



*New Design!  
The Frigidaire® Professional Series®  
now features all-stainless-steel styling  
in combination with a sleek new  
flushmount design, which has less  
than a one-inch profile.*

# Professional Series®

30" & 27" Double & Single Electric Ovens



## PLEB30T9D C 30"

4.2 Cu. Ft. Oven Capacity

- Flushmount Design
- Stainless Steel Control Panel
- EasySet™ Electronic Oven Controls
- Electronic Clock and Countdown Timer

### Upper & Lower Ovens Feature:

- Stainless Steel Door and Handle
- EvenCook3™ Element Convection System
- Automatic Convection Conversion
- Self-Cleaning System with Speed Clean and Maxx Clean™
- Preheat Control and Keep Warm Setting
- Hidden Bake Element
- Auto-Latch™ Safety Lock
- 3 Heavy-Duty Oven Racks
- Dual Radiant™ Baking and Roasting
- Enhanced Vari-Broil™ - Select Temperature from 400° - 550° in 1° Increments
- Sabbath Mode (Star-K Certified)
- 2 Oven Lights
- Extra-Large Visualite® Window

### Also Available:

## PLEB27T9D C 27"

3.5 Cu. Ft. Oven Capacity

(Same Features as PLEB30T9D C)



## PLEB30S9D C 30"

4.2 Cu. Ft. Oven Capacity

- Flushmount Design
- Stainless Steel Control Panel
- Stainless Steel Door and Handle
- EasySet™ Electronic Oven Controls
- Electronic Clock and Countdown Timer
- EvenCook3™ Element Convection System
- Automatic Convection Conversion
- Self-Cleaning System with Speed Clean and Maxx Clean™
- Preheat Control and Keep Warm Setting
- Hidden Bake Element
- Auto-Latch™ Safety Lock
- 3 Heavy-Duty Oven Racks
- Dual Radiant™ Baking and Roasting
- Enhanced Vari-Broil™ - Select Temperature from 400° - 550° in 1° Increments
- Sabbath Mode (Star-K Certified)
- 2 Oven Lights
- Extra-Large Visualite® Window

### Also Available:

## PLEB27S9D C 27"

3.5 Cu. Ft. Oven Capacity

(Same Features as PLEB30S9D C)

# Professional Series®

Warm & Serve® Drawer



*The Professional Series® Warm & Serve® Drawer is the perfect complement to any kitchen. Sleek & stylish with its flushmount design, it is the perfect companion for any 30" Professional Series® wall oven. If preferred, it can also be installed by itself in a cabinet.*



## **PLEW30S3D C 30"**

- Flushmount Design
- Stainless Steel Drawer Front and Handle
- Porcelain-Coated Inner Drawer for Easy Cleaning
- Infinite Thermostatic Control with Indicator Light
- Large Capacity Drawer that Fully Extends for Ease of Use
- Heavy-Duty Ball Bearing Glide System
- Half-Width Rack Provides Loading Flexibility
- Can be Installed Under Wall Oven or by Itself in a Cabinet

# Gallery Series®

30" & 27" Double Electric Ovens



## GLEB30T9D S/B/Q 30"

4.2 Cu. Ft. Oven Capacity

- Flushmount Design
- EasySet™ Electronic Oven Controls
- Electronic Clock and Countdown Timer

### Upper & Lower Ovens Feature:

- Color-Coordinated Glass Door
- Color-Coordinated Handle
- EvenCook3™ Element Convection System
- Automatic Convection Conversion
- Self-Cleaning System with Speed Clean and Maxx Clean™
- Preheat Control and Keep Warm Setting
- Hidden Bake Element
- Auto-Latch™ Safety Lock
- 3 Heavy-Duty Oven Racks
- Dual Radiant™ Baking and Roasting
- Enhanced Vari-Broil™ - Select Temperature from 400° - 550° in 1° Increments
- Sabbath Mode (*Star-K Certified*)
- 2 Oven Lights
- Large Visualite® Window
- Available in White, Black or Bisque

### Also Available:

## GLEB27T9D S/B/Q 27"

3.5 Cu. Ft. Oven Capacity

(Same Features as GLEB30T9D S/B/Q)



# Gallery Series®

30" & 27" Single Electric Ovens



## GLEB30S9D S/B/Q 30"

4.2 Cu. Ft. Oven Capacity

- Flushmount Design
- Color-Coordinated Glass Door
- Color-Coordinated Handle
- EasySet™ Electronic Oven Controls
- Electronic Clock and Countdown Timer
- EvenCook<sup>3</sup>™ Element Convection System
- Automatic Convection Conversion
- Self-Cleaning System with Speed Clean and Maxx Clean™
- Preheat Control and Keep Warm Setting
- Hidden Bake Element
- Auto-Latch™ Safety Lock
- 3 Heavy-Duty Oven Racks
- Dual Radiant™ Baking and Roasting
- Enhanced Vari-Broil™ - Select Temperature from 400° - 550° in 1° Increments
- Sabbath Mode (*Star-K Certified*)
- 2 Oven Lights
- Large Visualite® Window
- Available in White, Black or Bisque

Also Available:

## GLEB27S9D S/B/Q 27"

3.5 Cu. Ft. Oven Capacity

(Same Features as GLEB30S9D S/B/Q)



## GLEB27S7C S/B 27"

3.4 Cu. Ft. Oven Capacity

Reversible "Side-Swing" Door

- Color-Coordinated Glass Door
- Color-Coordinated Handle
- Electronic Clock and Countdown Timer
- SpeedBake® Convection System
- Self-Cleaning Oven
- Auto-Latch™ Safety Lock
- 3 Oven Racks
- Dual Radiant™ Baking and Roasting
- Vari-Broil™ - Select from 6 Broil Temperatures
- Sabbath Mode
- 1 Oven Light
- Large Visualite® Window
- Available in White or Black



# Frigidaire®

## 30" & 27" Double & Single Electric Ovens



### FEB30T7D C 30"

4.2 Cu. Ft. Oven Capacity

- Flushmount Design
- Stainless Steel Control Panel
- EasySet™ Electronic Oven Controls
- Electronic Clock and Countdown Timer

#### Upper & Lower Ovens Feature:

- Stainless Steel Door
- Stainless Steel Towel-Bar Handle
- Self-Cleaning System with Speed Clean
- Keep Warm Setting
- SpeedBake® Convection System with Integrated Pads
- Auto-Latch™ Safety Lock
- 2 Oven Racks
- Dual Radiant™ Baking and Roasting
- Vari-Broil™ - Select Temperature from 400° - 550° in 5° Increments
- Sabbath Mode (*Star-K Certified*)
- 1 Oven Light
- Extra-Large Visualite® Window

#### Also Available:

### FEB27T7D C 27"

3.5 Cu. Ft. Oven Capacity

(Same Features as FEB30T7D C)



### FEB30S7D C 30"

4.2 Cu. Ft. Oven Capacity

- Flushmount Design
- Stainless Steel Control Panel
- Stainless Steel Door
- Stainless Steel Towel-Bar Handle
- EasySet™ Electronic Oven Controls
- Electronic Clock and Countdown Timer
- Self-Cleaning System with Speed Clean
- Keep Warm Setting
- SpeedBake® Convection System with Integrated Pads
- Auto-Latch™ Safety Lock
- 2 Oven Racks
- Dual Radiant™ Baking and Roasting
- Vari-Broil™ - Select from 2 Broil Temperatures
- Sabbath Mode (*Star-K Certified*)
- 1 Oven Light
- Extra-Large Visualite® Window

#### Also Available:

### FEB27S7D C 27"

3.5 Cu. Ft. Oven Capacity

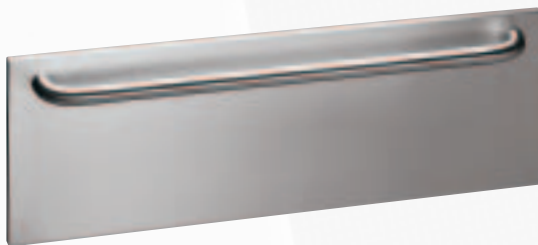
(Same Features as FEB30S7D C)

*Frigidaire*<sup>®</sup>

*Warm & Serve*<sup>®</sup> Drawer



*The new Frigidaire<sup>®</sup> Warm & Serve<sup>®</sup> Drawer makes the perfect mate for any Frigidaire<sup>®</sup> 30" stainless steel wall oven. It coordinates nicely with its sleek flushmount styling and convenient stainless steel towel-bar handle. It can also be installed by itself in a cabinet.*



**FEW30S2D C 30"**

- Flushmount Design
- Stainless Steel Drawer Front
- Stainless Steel Towel-Bar Handle
- Porcelain-Coated Inner Drawer for Easy Cleaning
- Infinite Thermostatic Control with Indicator Light
- Large Capacity Drawer that Fully Extends for Ease of Use
- Heavy-Duty Ball Bearing Glide System
- Half-Width Rack Provides Loading Flexibility
- Can be Installed Under Wall Oven or by Itself in a Cabinet

**Frigidaire®**

**30" & 27" Double & Single Electric Ovens**



**FEB30T6D C 30"**

**4.2 Cu. Ft. Oven Capacity**

- Flushmount Design
- Stainless Steel Control Panel
- EasySet™ Electronic Oven Controls
- Electronic Clock and Countdown Timer

**Upper & Lower Ovens Feature:**

- Stainless Steel Door
- Black Handle
- Self-Cleaning System with Speed Clean
- Keep Warm Setting
- SpeedBake® Convection System with Integrated Pads
- Auto-Latch™ Safety Lock
- 2 Oven Racks
- Dual Radiant™ Baking and Roasting
- Vari-Broil™ - Select Temperature from 400° - 550° in 5° Increments
- Sabbath Mode (*Star-K Certified*)
- 1 Oven Light
- Extra-Large Visualite® Window

**Also Available:**

**FEB27T6D C 27"**

**3.5 Cu. Ft. Oven Capacity**

(Same Features as FEB30T6D C)



**FEB30S6D C 30"**

**4.2 Cu. Ft. Oven Capacity**

- Flushmount Design
- Stainless Steel Door
- Black Handle
- Stainless Steel Control Panel
- EasySet™ Electronic Oven Controls
- Electronic Clock and Countdown Timer
- Self-Cleaning System with Speed Clean
- Keep Warm Setting
- SpeedBake® Convection System with Integrated Pads
- Auto-Latch™ Safety Lock
- 2 Oven Racks
- Dual Radiant™ Baking and Roasting
- Vari-Broil™ - Select from 2 Broil Temperatures
- Sabbath Mode (*Star-K Certified*)
- 1 Oven Light
- Extra-Large Visualite® Window

**Also Available:**

**FEB27S6D C 27"**

**3.5 Cu. Ft. Oven Capacity**

(Same Features as FEB30S6D C)



# Frigidaire®

## 30" & 27" Double & Single Electric Ovens



### **FEB30T5D C 30"**

4.2 Cu. Ft. Oven Capacity

- Flushmount Design
- Black Control Panel
- EasySet™ Electronic Oven Controls
- Electronic Clock and Countdown Timer

#### **Upper & Lower Ovens Feature:**

- Stainless Steel Door
- Black Handle
- Self-Cleaning
- Auto-Latch™ Safety Lock
- 2 Oven Racks
- Dual Radiant™ Baking and Roasting
- Vari-Broil™ - Select Temperature from 400° - 550° in 5° Increments
- Sabbath Mode (*Star-K Certified*)
- 1 Oven Light
- Extra-Large Visualite® Window

#### **Also Available:**

### **FEB27T5D C 27"**

3.5 Cu. Ft. Oven Capacity

(Same Features as FEB30T5D C)



### **FEB30S5D C 30"**

4.2 Cu. Ft. Oven Capacity

- Flushmount Design
- Stainless Steel Door
- Black Handle
- Black Control Panel
- EasySet™ Electronic Oven Controls
- Electronic Clock and Countdown Timer
- Self-Cleaning
- Auto-Latch™ Safety Lock
- 2 Oven Racks
- Dual Radiant™ Baking and Roasting
- Vari-Broil™ - Select from 2 Broil Temperatures
- Sabbath Mode (*Star-K Certified*)
- 1 Oven Light
- Extra-Large Visualite® Window

#### **Also Available:**

### **FEB27S5D C 27"**

3.5 Cu. Ft. Oven Capacity

(Same Features as FEB30S5D C)



**Frigidaire®**

**30" & 27" Double & Single Electric Ovens**



**FEB30T6D S/B/Q 30"**

**4.2 Cu. Ft. Oven Capacity**

- Flushmount Design
- Color-Coordinated Glass Control Panel
- EasySet™ Electronic Oven Controls
- Electronic Clock and Countdown Timer

**Upper & Lower Ovens Feature:**

- Color-Coordinated Glass Door
- Color-Coordinated Handle
- Self-Cleaning System with Speed Clean
- SpeedBake® Convection System with Integrated Pads
- Auto-Latch™ Safety Lock
- 2 Oven Racks
- Dual Radiant™ Baking and Roasting
- Vari-Broil™ - Select Temperature from 400° - 550° in 5° Increments
- Sabbath Mode (*Star-K Certified*)
- 1 Oven Light
- Large Visualite® Window
- Available in White, Black and Bisque

**Also Available:**

**FEB27T6D S/B/Q 27"**

**3.5 Cu. Ft. Oven Capacity**

(Same Features as FEB30T6D S/B/Q)



**FEB30S6D S/B/Q 30"**

**4.2 Cu. Ft. Oven Capacity**

- Flushmount Design
- Color-Coordinated Glass Door and Control Panel
- Color-Coordinated Handle
- EasySet™ Electronic Oven Controls
- Electronic Clock and Countdown Timer
- Self-Cleaning System with Speed Clean
- SpeedBake® Convection System with Integrated Pads
- Auto-Latch™ Safety Lock
- 2 Oven Racks
- Dual Radiant™ Baking and Roasting
- Vari-Broil™ - Select from 2 Broil Temperatures
- Sabbath Mode (*Star-K Certified*)
- 1 Oven Light
- Large Visualite® Window
- Available in White, Black and Bisque

**Also Available:**

**FEB27S6D S/B/Q 27"**

**3.5 Cu. Ft. Oven Capacity**

(Same Features as FEB30S6D S/B/Q)

# Frigidaire®

## 30" & 27" Double & Single Electric Ovens



### FEB30T5D S/B 30"

4.2 Cu. Ft. Oven Capacity

- Flushmount Design
- Color-Coordinated Glass Control Panel
- EasySet™ Electronic Oven Controls
- Electronic Clock and Countdown Timer

#### Upper & Lower Ovens Feature:

- Color-Coordinated Glass Door
- Color-Coordinated Handle
- Self-Cleaning
- Keep Warm Setting
- Auto-Latch™ Safety Lock
- 2 Oven Racks
- Dual Radiant™ Baking and Roasting
- Vari-Broil™ - Select Temperature from 400° - 550° in 5° Increments
- Sabbath Mode (*Star-K Certified*)
- 1 Oven Light
- Large Visualite® Window
- Available in White and Black

#### Also Available:

### FEB27T5D S/B 27"

3.5 Cu. Ft. Oven Capacity

(Same Features as FEB30T5D S/B)



### FEB30S5D S/B 30"

4.2 Cu. Ft. Oven Capacity

- Flushmount Design
- Color-Coordinated Glass Door
- Color-Coordinated Handle
- Color-Coordinated Glass Control Panel
- EasySet™ Electronic Oven Controls
- Electronic Clock and Countdown Timer
- Self-Cleaning
- Keep Warm Setting
- Auto-Latch™ Safety Lock
- 2 Oven Racks
- Dual Radiant™ Baking and Roasting
- Vari-Broil™ - Select from 2 Broil Temperatures
- Sabbath Mode (*Star-K Certified*)
- 1 Oven Light
- Large Visualite® Window
- Available in White and Black

#### Also Available:

### FEB27S5D S/B 27"

3.5 Cu. Ft. Oven Capacity

(Same Features as FEB30S5D S/B)



*Frigidaire*<sup>®</sup>

24" Single Electric Ovens



**FEB24S5A S/Q/B 24"**

- Color-Coordinated Glass Door
- Color-Coordinated Handle
- Self-Cleaning Oven
- Auto-Latch™ Safety Lock
- EasySet™ Electronic Oven Control
- Electronic Clock and Countdown Timer
- Vari-Broil™ - Select from 2 Broil Temperatures
- Sabbath Mode
- 2 Oven Racks
- Dual Radiant™ Baking and Roasting
- 1 Oven Light
- Visualite® Window
- Available in White, Bisque and Black



**FEB24S2A S/B 24"**

- Color-Coordinated Glass Door
- Color-Coordinated Handle
- Manual Clean Porcelain Oven
- EasySet™ Electronic Oven Control
- Electronic Clock and Countdown Timer
- 2 Oven Racks
- Dual Radiant™ Baking and Roasting
- 1 Oven Light
- Visualite® Window
- Available in White and Black

**Frigidaire®**

**24" Gas Ovens**



**FGB24S5D C 24"**

- Self-Cleaning Oven with Auto-Latch™ Safety Lock
- Electronic Oven Controls
- Electronic Clock and Timer
- Electronic Ignition
- Sabbath Mode
- Removable Glass Window Door
- 2 Oven Racks
- Porcelain Broiler Pan and Grill
- Automatic Oven Light
- Lower Storage Drawer



**FGB24S5A S/B 24"**

- Self-Cleaning Oven with Auto-Latch™ Safety Lock
- Electronic Oven Controls
- Electronic Clock and Timer
- Electronic Ignition
- Sabbath Mode
- Removable Glass Window Door
- 2 Oven Racks
- Porcelain Broiler Pan and Grill
- Automatic Oven Light
- Lower Storage Drawer
- Available in White and Black

*Frigidaire*<sup>®</sup>

24" Gas Ovens



**FGB24T3A S/B 24"**

- Manual Clean Porcelain Oven
- Full-Size Lower Broil Compartment
- Electronic Clock and Timer
- Electronic Ignition
- Removable Glass Window Doors
- 3 Oven Racks - 2 in Upper Oven and 1 in Broil Compartment
- Oven Light
- Available in White and Black

**FGB24L2A S/B 24"**

- Manual Clean Porcelain Oven
- Glide Out Lower Broiler
- EasySet™ Oven Control
- Electronic Clock and Timer
- Electronic Ignition
- Glass Window Door
- 2 Oven Racks
- Porcelain Broiler Pan and Grill
- Oven Light
- Available in White and Black



## 30" & 27" DOUBLE ELECTRIC WALL OVENS

30" Models	PLEB30T9DC	GLEB30T9D	FEB30T7DC	FEB30T6DC	FEB30T6D	FEB30T5DC	FEB30T5D
Series	Professional	Gallery	Frigidaire	Frigidaire	Frigidaire	Frigidaire	Frigidaire
Nominal Cabinet Size / Configuration	30" Double	30" Double	30" Double	30" Double	30" Double	30" Double	30" Double
<b>Oven Features</b>							
Convection Cooking System	EvenCook™ (Both)	EvenCook™ (Both)	SpeedBake® (Both)	SpeedBake® (Both)	SpeedBake® (Both)		
Self-Cleaning Oven with Auto-Latch™ Safety Lock	Both	Both	Both	Both	Both	Both	Both
Speed Clean	Both	Both	Both	Both	Both		
Maxx Clean™	Both	Both					
Dual Radiant™ Baking and Roasting System	Both	Both	Both	Both	Both	Both	Both
Six-Pass Element with Vari-Broil™	400°-550° (Both)	400°-550° (Both)	400°-550° (Both)	400°-550° (Both)	400°-550° (Both)	400°-550° (Both)	400°-550° (Both)
Hidden Bake Element	Both	Both					
Interior Oven Light (Automatic & Switched)	2 (Both)	2 (Both)	1 (Both)	1 (Both)	1 (Both)	1 (Both)	1 (Both)
Porcelain Broiler Pan with Grill	*	*	*	*	*	*	*
Oven Racks (# per Cavity)	3 Heavy Duty	3 Heavy Duty	2	2	2	2	2
Convection Roasting Rack	*	*					
Removable Oven Door	*	*	*	*	*	*	*
<b>Control Panel Features</b>							
Electronic Clock / Timer / Temperature Display	*	*	*	*	*	*	*
Automatic Oven (Delay, Cook & Off)	*	*	*	*	*	*	*
Automatic Oven Shut-Off (12 hour)	*	*	*	*	*	*	*
F° or C° Programmable	*	*	*	*	*	*	*
Integrated Oven Light (Touch Pad)	*	*	*	*	*	*	*
Sabbath Mode (Star-K Certified)	*	*	*	*	*	*	*
<b>Oven Style</b>							
Color	Stainless Steel	Color	Stainless Steel	Stainless Steel	Color	Black	Color
Visualite® Window	Extra-Large (Both)	Large (Both)	Extra-Large (Both)	Extra-Large (Both)	Large (Both)	Extra-Large (Both)	Large (Both)
Door	Stainless Steel (Both)	Color/Glass (Both)	Stainless Steel (Both)	Stainless Steel (Both)	Color/Glass (Both)	Stainless Steel (Both)	Color/Glass (Both)
Handle	Stainless Steel (Both)	Color (Both)	Stainless Steel (Both)	Black (Both)	Color (Both)	Black (Both)	Color (Both)
<b>Color/UPC (0-57112-)</b>							
Stainless Steel (C)	08693-4		08689-7	08688-0		08684-2	
White-on-White (S)		08690-3			08685-9		08682-8
Bisque-on-Bisque (Q)		08691-0			08686-6		
Black-on-Black (B)		08692-7			08687-3		08683-5
<b>Specifications</b>							
Interior Oven Dimensions - Width	24-1/8"	24-1/8"	24-1/8"	24-1/8"	24-1/8"	24-1/8"	24-1/8"
Interior Oven Dimensions - Height	16-1/2"	16-1/2"	16-1/2"	16-1/2"	16-1/2"	16-1/2"	16-1/2"
Interior Oven Dimensions - Depth	18-1/32"	18-1/32"	18-1/32"	18-1/32"	18-1/32"	18-1/32"	18-1/32"
Oven Capacity	4.2 Cu. Ft. (Both)	4.2 Cu. Ft. (Both)	4.2 Cu. Ft. (Both)	4.2 Cu. Ft. (Both)	4.2 Cu. Ft. (Both)	4.2 Cu. Ft. (Both)	4.2 Cu. Ft. (Both)
Shipping Weight	257 Lbs.	240 Lbs.	257 Lbs.	264 Lbs.	200 Lbs.	266 Lbs.	262 Lbs.
Connected Load (kW Rating) 240/208 Volts	6.9 / 5.2	6.9 / 5.2	6.9 / 5.2	6.9 / 5.2	6.9 / 5.2	6.9 / 5.2	6.9 / 5.2
Amps @ 240/208	28.3 / 25	28.3 / 25	28.3 / 25	28.3 / 25	28.3 / 25	28.3 / 25	28.3 / 25
Minimum Circuit Required - Amps*	40	40	40	40	40	40	40
Bake Element Wattage 240/208 Volts	3400 / 2554	3400 / 2554	3400 / 2554	3400 / 2554	3400 / 2554	3400 / 2554	3400 / 2554
Broil Element Wattage 240/208 Volts	2750 / 2065	2750 / 2065	2750 / 2065	2750 / 2065	2750 / 2065	2750 / 2065	2750 / 2065
Armored Electrical Cable	*	*	*	*	*	*	*

27" Models	PLEB27T9DC	GLEB27T9D	FEB27T7DC	FEB27T6DC	FEB27T6D	FEB27T5DC	FEB27T5D
Series	Professional	Gallery	Frigidaire	Frigidaire	Frigidaire	Frigidaire	Frigidaire
Nominal Cabinet Size / Configuration	27" Double	27" Double	27" Double	27" Double	27" Double	27" Double	27" Double
<b>Oven Features</b>							
Convection Cooking System	EvenCook™ (Both)	EvenCook™ (Both)	SpeedBake® (Both)	SpeedBake® (Both)	SpeedBake® (Both)		
Self-Cleaning Oven with Auto-Latch™ Safety Lock	Both	Both	Both	Both	Both	Both	Both
Speed Clean	Both	Both	Both	Both	Both		
Maxx Clean™	Both	Both					
Dual Radiant™ Baking and Roasting System	Both	Both	Both	Both	Both	Both	Both
Six-Pass Element with Vari-Broil™	400°-550° (Both)	400°-550° (Both)	400°-550° (Both)	400°-550° (Both)	400°-550° (Both)	400°-550° (Both)	400°-550° (Both)
Hidden Bake Element	Both	Both					
Interior Oven Light (Automatic & Switched)	2 (Both)	2 (Both)	1 (Both)	1 (Both)	1 (Both)	1 (Both)	1 (Both)
Porcelain Broiler Pan with Grill	*	*	*	*	*	*	*
Oven Racks (# per Cavity)	3 Heavy Duty	3 Heavy Duty	2	2	2	2	2
Convection Roasting Rack	*	*					
Removable Oven Door	*	*	*	*	*	*	*
<b>Control Panel Features</b>							
Electronic Clock / Timer / Temperature Display	*	*	*	*	*	*	*
Automatic Oven (Delay, Cook & Off)	*	*	*	*	*	*	*
Automatic Oven Shut-Off (12 hour)	*	*	*	*	*	*	*
F° or C° Programmable	*	*	*	*	*	*	*
Integrated Oven Light (Touch Pad)	*	*	*	*	*	*	*
Sabbath Mode (Star-K Certified)	*	*	*	*	*	*	*
<b>Oven Style</b>							
Color	Stainless Steel	Color	Stainless Steel	Stainless Steel	Color	Black	Color
Visualite® Window	Extra-Large (Both)	Large (Both)	Extra-Large (Both)	Extra-Large (Both)	Large (Both)	Extra-Large (Both)	Large (Both)
Door	Stainless Steel (Both)	Color/Glass (Both)	Stainless Steel (Both)	Stainless Steel (Both)	Color/Glass (Both)	Stainless Steel (Both)	Color/Glass (Both)
Handle	Stainless Steel (Both)	Color (Both)	Stainless Steel (Both)	Black (Both)	Color (Both)	Black (Both)	Color (Both)
<b>Color/UPC (0-57112-)</b>							
Stainless Steel (C)	08681-1		08677-4	08676-7		08672-9	
White-on-White (S)		08678-1			08673-6		08670-5
Bisque-on-Bisque (Q)		08679-8			08674-3		
Black-on-Black (B)		08680-4			08675-0		08671-2
<b>Specifications</b>							
Interior Oven Dimensions - Width	20-1/2"	20-1/2"	20-1/2"	20-1/2"	20-1/2"	20-1/2"	20-1/2"
Interior Oven Dimensions - Height	16-1/2"	16-1/2"	16-1/2"	16-1/2"	16-1/2"	16-1/2"	16-1/2"
Interior Oven Dimensions - Depth	18-1/32"	18-1/32"	18-1/32"	18-1/32"	18-1/32"	18-1/32"	18-1/32"
Oven Capacity	3.5 Cu. Ft. (Both)	3.5 Cu. Ft. (Both)	3.5 Cu. Ft. (Both)	3.5 Cu. Ft. (Both)	3.5 Cu. Ft. (Both)	3.5 Cu. Ft. (Both)	3.5 Cu. Ft. (Both)
Shipping Weight (Approx.)	235 Lbs.	200 Lbs.	200 Lbs.	200 Lbs.	200 Lbs.	200 Lbs.	200 Lbs.
Connected Load (kW Rating) 240/208 Volts	6.9 / 5.2	6.9 / 5.2	6.9 / 5.2	6.9 / 5.2	6.9 / 5.2	6.9 / 5.2	6.9 / 5.2
Amps @ 240/208 (Approx.)*	28.3 / 25	28.3 / 25	28.3 / 25	28.3 / 25	28.3 / 25	28.3 / 25	28.3 / 25
Minimum Circuit Required - Amps*	40	40	40	40	40	40	40
Bake Element Wattage 240/208 Volts	2700 / 2028	2700 / 2028	2300 / 1727	2300 / 1727	2300 / 1727	2300 / 1727	2300 / 1727
Broil Element Wattage 240/208 Volts	3400 / 2554	3400 / 2554	3400 / 2554	3400 / 2554	3400 / 2554	3400 / 2554	3400 / 2554
Armored Electrical Cable	*	*	*	*	*	*	*

\* Consult Local/National Electric Codes

Specifications subject to change.



## 30" & 27" SINGLE ELECTRIC WALL OVENS

30" Models	PLEB30S9DC	GLEB30S9D	FEB30S7DC	FEB30S6DC	FEB30S6D	FEB30S5DC	FEB30S5D
Series	Professional	Gallery	Frigidaire	Frigidaire	Frigidaire	Frigidaire	Frigidaire
Nominal Cabinet Size / Configuration	30" Single	30" Single	30" Single	30" Single	30" Single	30" Single	30" Single
<b>Oven Features</b>							
Convection Cooking System	EvenCook™	EvenCook™	SpeedBake®	SpeedBake®	SpeedBake®		
Self-Cleaning Oven with Auto-Latch™ Safety Lock	*	*	*	*	*	*	*
Speed Clean	*	*	*	*	*		
Maxx Clean™	*	*					
Dual Radiant™ Baking and Roasting System	*	*	*	*	*	*	*
Six-Pass Element with Vari-Broil™	400°-550°	400°-550°	Hi/Low	Hi/Low	Hi/Low	Hi/Low	Hi/Low
Hidden Bake Element	*	*					
Interior Oven Light (Automatic & Switched)	2	2	1	1	1	1	1
Porcelain Broiler Pan with Grill	*	*	*	*	*	*	*
Oven Racks (# per Cavity)	3 Heavy Duty	3 Heavy Duty	2	2	2	2	2
Convection Roasting Rack	*	*					
Removable Oven Door	*	*	*	*	*	*	*
<b>Control Panel Features</b>							
Electronic Clock / Timer / Temperature Display	*	*	*	*	*	*	*
Automatic Oven (Delay, Cook & Off)	*	*	*	*	*	*	*
Automatic Oven Shut-Off (12 hour)	*	*	*	*	*	*	*
F° or C° Programmable	*	*	*	*	*	*	*
Integrated Oven Light (Touch Pad)	*	*	*	*	*	*	*
Sabbath Mode (Star-K Certified)	*	*	*	*	*	*	*
<b>Oven Style</b>							
Color	Stainless Steel	Color	Stainless Steel	Stainless Steel	Color	Black	Color
Visualite® Window	Extra-Large	Large	Extra-Large	Extra-Large	Large	Extra-Large	Large
Door	Stainless Steel	Color / Glass	Stainless Steel	Stainless Steel	Color / Glass	Stainless Steel	Color / Glass
Handle	Stainless Steel	Color	Stainless Steel	Black	Color	Black	Color
<b>Color / UPC (0-57112-)</b>							
Stainless Steel (C)	08669-9		08665-1	08664-4		08660-6	
White-on-White (S)		08666-8			08661-3		08658-3
Bisque-on-Bisque (Q)		08667-5			08662-0		
Black-on-Black (B)		08668-2			08663-7		08659-0
<b>Specifications</b>							
Interior Oven Dimensions - Width	24-1/8"	24-1/8"	24-1/8"	24-1/8"	24-1/8"	24-1/8"	24-1/8"
Interior Oven Dimensions - Height	16-1/2"	16-1/2"	16-1/2"	16-1/2"	16-1/2"	16-1/2"	16-1/2"
Interior Oven Dimensions - Depth	18-1/32"	18-1/32"	18-1/32"	18-1/32"	18-1/32"	18-1/32"	18-1/32"
Oven Capacity	4.2 Cu. Ft.	4.2 Cu. Ft.	4.2 Cu. Ft.	4.2 Cu. Ft.	4.2 Cu. Ft.	4.2 Cu. Ft.	4.2 Cu. Ft.
Under-Counter Installation	*	*	*	*	*	*	*
Shipping Weight	151 Lbs.	166 Lbs.	129 Lbs.	156 Lbs.	150 Lbs.	153 Lbs.	149 Lbs.
Connected Load (kW Rating) 240/208 Volts	3.5 / 2.6	3.5 / 2.6	3.4 / 2.6	3.4 / 2.6	3.4 / 2.6	3.4 / 2.6	3.4 / 2.6
Amps @ 240/208	14.6 / 12.6	14.6 / 12.6	14.5 / 12.5	14.5 / 12.5	14.5 / 12.5	14.5 / 12.5	14.5 / 12.5
Minimum Circuit Required - Amps*	30	30	30	30	30	30	30
Bake Element Wattage 240/208 Volts	3400 / 2554	3400 / 2554	3400 / 2554	3400 / 2554	3400 / 2554	3400 / 2554	3000 / 2553
Broil Element Wattage 240/208 Volts	2750 / 2065	2750 / 2065	2750 / 2065	2750 / 2065	2750 / 2065	2750 / 2065	2750 / 2065
Armored Electrical Cable	*	*	*	*	*	*	*
<b>27" Models</b>	<b>PLEB27S9DC</b>	<b>GLEB27S9D</b>	<b>FEB27S7DC</b>	<b>FEB27S6DC</b>	<b>FEB27S6D</b>	<b>FEB27S5DC</b>	<b>FEB27S5D</b>
Series	Professional	Gallery	Frigidaire	Frigidaire	Frigidaire	Frigidaire	Frigidaire
Nominal Cabinet Size / Configuration	27" Single	27" Single	27" Single	27" Single	27" Single	27" Single	27" Single
<b>Oven Features</b>							
Convection Cooking System	EvenCook™	EvenCook™	SpeedBake®	SpeedBake®	SpeedBake®		
Self-Cleaning Oven with Auto-Latch™ Safety Lock	*	*	*	*	*	*	*
Speed Clean	*	*	*	*	*		
Maxx Clean™	*	*					
Dual Radiant™ Baking and Roasting System	*	*	*	*	*	*	*
Six-Pass Element with Vari-Broil™	400°-550°	400°-550°	Hi/Low	Hi/Low	Hi/Low	Hi/Low	Hi/Low
Hidden Bake Element	*	*					
Interior Oven Light (Automatic & Switched)	2	2	1	1	1	1	1
Porcelain Broiler Pan with Grill	*	*	*	*	*	*	*
Oven Racks (# per Cavity)	3 Heavy Duty	3 Heavy Duty	2	2	2	2	2
Convection Roasting Rack	*	*					
Removable Oven Door	*	*	*	*	*	*	*
<b>Control Panel Features</b>							
Electronic Clock / Timer / Temperature Display	*	*	*	*	*	*	*
Automatic Oven (Delay, Cook & Off)	*	*	*	*	*	*	*
Automatic Oven Shut-Off (12 hour)	*	*	*	*	*	*	*
F° or C° Programmable	*	*	*	*	*	*	*
Integrated Oven Light (Touch Pad)	*	*	*	*	*	*	*
Sabbath Mode (Star-K Certified)	*	*	*	*	*	*	*
<b>Oven Style</b>							
Color	Stainless Steel	Color	Stainless Steel	Stainless Steel	Color	Black	Color
Visualite® Window	Extra-Large	Large	Extra-Large	Extra-Large	Large	Extra-Large	Large
Door	Stainless Steel	Color / Glass	Stainless Steel	Stainless Steel	Color / Glass	Stainless Steel	Color / Glass
Handle	Stainless Steel	Color	Stainless Steel	Black	Color	Black	Color
<b>Color / UPC (0-57112-)</b>							
Stainless Steel (C)	08653-8		08652-1	08651-4		08647-7	
White-on-White (S)		08655-2			08648-4		08645-3
Bisque-on-Bisque (Q)		08656-9			08649-1		
Black-on-Black (B)		08657-6			08650-7		08646-0
<b>Specifications</b>							
Interior Oven Dimensions - Width	20-1/2"	20-1/2"	20-1/2"	20-1/2"	20-1/2"	20-1/2"	20-1/2"
Interior Oven Dimensions - Height	16-1/2"	16-1/2"	16-1/2"	16-1/2"	16-1/2"	16-1/2"	16-1/2"
Interior Oven Dimensions - Depth	18-1/32"	18-1/32"	18-1/32"	18-1/32"	18-1/32"	18-1/32"	18-1/32"
Oven Capacity	3.5 Cu. Ft.	3.5 Cu. Ft.	3.5 Cu. Ft.	3.5 Cu. Ft.	3.5 Cu. Ft.	3.5 Cu. Ft.	3.5 Cu. Ft.
Under-Counter Installation	*	*	*	*	*	*	*
Shipping Weight (Approx.)	141 Lbs.	136 Lbs.	143 Lbs.	144 Lbs.	140 Lbs.	142 Lbs.	138 Lbs.
Connected Load (kW Rating) 240/208 Volts	3.5 / 2.6	3.5 / 2.6	3.4 / 2.6	3.4 / 2.6	3.4 / 2.6	3.4 / 2.6	3.4 / 2.6
Amps @ 240/208 (Approx.)*	14.6 / 12.6	14.6 / 12.6	14.5 / 12.5	14.5 / 12.5	14.5 / 12.5	14.5 / 12.5	14.5 / 12.5
Minimum Circuit Required - Amps*	30	30	30	30	30	30	30
Bake Element Wattage 240/208 Volts	2700 / 2028	2700 / 2028	2300 / 1727	2300 / 1727	2300 / 1727	2300 / 1727	2300 / 1727
Broil Element Wattage 240/208 Volts	3400 / 2554	3400 / 2554	3400 / 2554	3400 / 2554	3400 / 2554	3400 / 2554	3400 / 2554
Armored Electrical Cable	*	*	*	*	*	*	*

\* Consult Local / National Electric Codes  
Specifications subject to change.

## 27" SIDE-SWING DOOR SINGLE ELECTRIC WALL OVEN

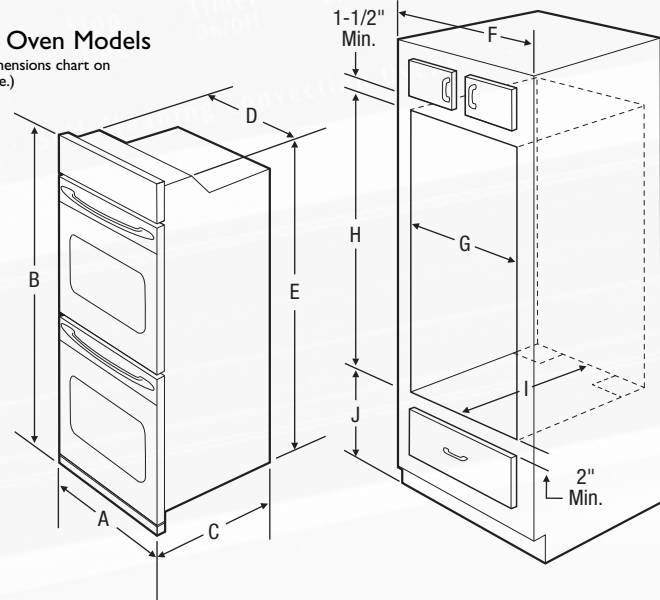
Model	GLEB27S7C
Series	Gallery
Nominal Cabinet Size / Configuration	27" Single
<b>Oven Features</b>	
Convection Cooking System	SpeedBake®
Self-Cleaning Oven with Auto-Latch™ Safety Lock	•
Dual Radiant™ Baking and Roasting System	•
Six-Pass Element with Vari-Broil™ (# Temperatures)	6
Interior Oven Light (Automatic & Switched)	1
Porcelain Broiler Pan with Grill	•
Oven Racks (# per Cavity)	3 Heavy Duty
Convection Roasting Rack	•
Reversible (Side-Swing) Oven Door	•
<b>Control Panel Features</b>	
Electronic Clock / Timer / Temperature Display	•
Automatic Oven (Delay, Cook & Off)	•
Automatic Oven Shut-Off (12 hour)	•
F° or C° Programmable	•
Integrated Oven Light (Touch Pad)	•
Sabbath Mode	•
<b>Door Style</b>	
Visualite® Window	Large
Door	Color / Glass
Handle	Color
<b>Color/UPC (0-57112-)</b>	
White-on-White (S)	08389-6
Black-on-Black (B)	08390-2
<b>Specifications</b>	
Interior Oven Dimensions - Width	20"
Interior Oven Dimensions - Height	16"
Interior Oven Dimensions - Depth	18-1/2"
Oven Capacity	3.4 Cu. Ft.
Under-Counter Installation	•
Shipping Weight (Approx.)	125 Lbs.
Connected Load (kW Rating) 240 / 208 Volts	3.4 / 2.6
Amps @ 240 / 208 (Approx.)*	11.3 / 10.0
Minimum Circuit Required - Amps*	30
Bake Element Wattage 240 / 208 Volts	2300 / 1727
Broil Element Wattage 240 / 208 Volts	3400 / 2554
Armored Electrical Cable	•

## DOUBLE & SINGLE ELECTRIC WALL OVEN INSTALLATION

The following dimension and cutout information is for planning purposes only. For complete installation details consult manual packed with product, or download manual at Customer Service, online at [www.frigidaire.com](http://www.frigidaire.com).

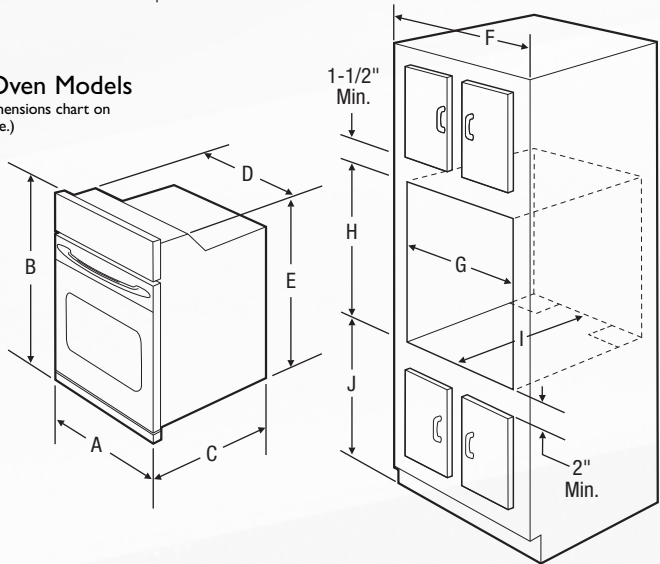
### Double Oven Models

(Refer to dimensions chart on opposite page.)



### Single Oven Models

(Refer to dimensions chart on opposite page.)



## 24" SINGLE ELECTRIC WALL OVENS

Models	FEB24S5A	FEB24S2A
Series	Frigidaire	Frigidaire
Nominal Cabinet Size / Configuration	24" Single	24" Single
<b>Oven Features</b>		
Self-Cleaning Oven with Auto-Latch™ Safety Lock	•	•
Manual-Clean Oven	•	•
Dual Radiant™ Baking and Roasting System	•	•
Six-Pass Element with Vari-Broil™	Hi/Low	•
Interior Oven Light (Automatic & Switched)	1	1
Porcelain Broiler Pan with Grill	•	•
Oven Racks (# per Cavity)	2	2
Removable Oven Door	•	•
<b>Control Panel Features</b>		
Electronic Clock / Timer / Temperature Display	•	•
Automatic Oven (Delay, Cook & Off)	•	•
Automatic Oven Shut-Off (12 hour)	•	•
F° or C° Programmable	•	•
Sabbath Mode	•	•
<b>Door Style</b>		
Visualite® Window	•	•
Door	Color / Glass	Color / Glass
Handle	Color	Color
<b>Color/UPC (0-57112-)</b>		
White-on-White (S)	08068-0	08071-0
Bisque-on-Bisque (Q)	08079-6	•
Black-on-Black (B)	08070-3	08072-7
<b>Specifications</b>		
Interior Oven Dimensions - Width	17"	18-1/2"
Interior Oven Dimensions - Height	16"	16"
Interior Oven Dimensions - Depth	18-1/2"	18-1/2"
Oven Capacity	2.9 Cu. Ft.	3.1 Cu. Ft.
Shipping Weight	114 Lbs.	99 Lbs.
Connected Load (kW Rating) 240 / 208 Volts	3.4 / 2.6	3.4 / 2.6
Amps @ 240 / 208	14.5 / 12.5	14.5 / 12.5
Minimum Circuit Required - Amps*	30	30
Bake Element Wattage 240 / 208 Volts	2100 / 1577	2100 / 1577
Broil Element Wattage 240 / 208 Volts	34000 / 2554	34000 / 2554
Armored Electrical Cable	•	•

\*Consult Local / National Electric Codes



### Installation Notes:

#### Existing Cabinet Cutout Installation –

It is also possible to install Frigidaire® wall ovens into existing cabinet cutouts with openings greater than dimensions specified in chart on opposite page.

Wall Oven Model (to be installed)	Existing Cutout Height (if greater than)
30" or 27" Double	49-1/2"
30" Double	49-7/8"
30" or 27" Single	28-1/8"
30" Single	28-5/8"
27" Single (Side-Swing Model Only)	29"

For complete installation details on this procedure consult manual packed with product, or download manual at Customer Service, online at [www.frigidaire.com](http://www.frigidaire.com).

#### Oven Base Support –

- Double wall oven base must be capable of supporting 300 lbs.
- Single wall oven base must be capable of supporting 150 lbs.

#### Oven Door Swing Clearances –

- 30" & 27" Down-Swing Door – Allow 21"
- 24" Down-Swing Door – Allow 19-3/8"
- 27" Side-Swing Door – Allow 27-1/4" and minimum of 4-1/2" from any obstruction on hinged side of door.

## DIMENSIONS

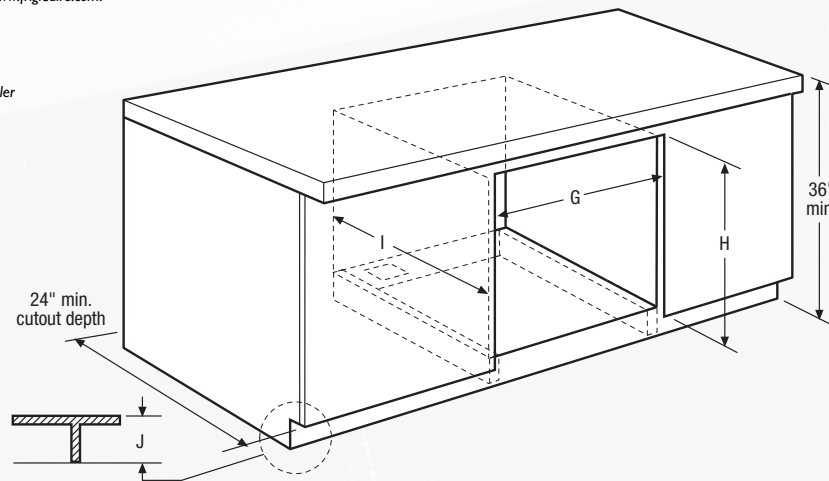
Models	Exterior Dimensions			Wrapper Dimensions		Cabinet F-Size	Cutout Dimensions				Clearance J- To Floor	
	A-Width	B-Height	C-Depth	D-Width	E-Height		G-Width Minimum Maximum		H-Height Minimum Maximum			I-Depth
<b>30" Double</b>												
PLEB30T9D	30"	50-7/16"	24-1/2"	28-1/4"	48-5/8"	30-1/8"	28-1/2"	29"	49-1/8"	49-7/8"	23-1/2"	11-1/2"
GLEB30T9D	30"	50-7/16"	24-1/2"	28-1/4"	48-5/8"	30-1/8"	28-1/2"	29"	49-1/8"	49-7/8"	23-1/2"	11-1/2"
FEB30T7D	30"	50-7/16"	24-1/2"	28-1/4"	48-5/8"	30-1/8"	28-1/2"	29"	49-1/8"	49-7/8"	23-1/2"	11-1/2"
FEB30T6D	30"	50-7/16"	24-1/2"	28-1/4"	48-5/8"	30-1/8"	28-1/2"	29"	49-1/8"	49-7/8"	23-1/2"	11-1/2"
FEB30T5D	30"	50-7/16"	24-1/2"	28-1/4"	48-5/8"	30-1/8"	28-1/2"	29"	49-1/8"	49-7/8"	23-1/2"	11-1/2"
<b>30" Single</b>												
PLEB30S9D	30"	29"	24-1/2"	28-1/4"	27-3/16"	30-1/8"	28-1/2"	29"	27-1/4"	28-5/8"	23-1/2"	4-1/2" - 31"*
GLEB30S9D	30"	29"	24-1/2"	28-1/4"	27-3/16"	30-1/8"	28-1/2"	29"	27-1/4"	28-5/8"	23-1/2"	4-1/2" - 31"*
FEB30S7D	30"	29"	24-1/2"	28-1/4"	27-3/16"	30-1/8"	28-1/2"	29"	27-1/4"	28-5/8"	23-1/2"	4-1/2" - 31"*
FEB30S6D	30"	29"	24-1/2"	28-1/4"	27-3/16"	30-1/8"	28-1/2"	29"	27-1/4"	28-5/8"	23-1/2"	4-1/2" - 31"*
FEB30S5D	30"	29"	24-1/2"	28-1/4"	27-3/16"	30-1/8"	28-1/2"	29"	27-1/4"	28-5/8"	23-1/2"	4-1/2" - 31"*
<b>27" Double</b>												
PLEB27T9D	27"	50-7/16"	24-1/2"	24-5/8"	48-5/8"	27-1/8"	24-7/8"	25-1/4"	49-1/8"	49-7/8"	23-1/2"	11-1/2"
GLEB27T9D	27"	50-7/16"	24-1/2"	24-5/8"	48-5/8"	27-1/8"	24-7/8"	25-1/4"	49-1/8"	49-7/8"	23-1/2"	11-1/2"
FEB27T7D	27"	50-7/16"	24-1/2"	24-5/8"	48-5/8"	27-1/8"	24-7/8"	25-1/4"	49-1/8"	49-7/8"	23-1/2"	11-1/2"
FEB27T6D	27"	50-7/16"	24-1/2"	24-5/8"	48-5/8"	27-1/8"	24-7/8"	25-1/4"	49-1/8"	49-7/8"	23-1/2"	11-1/2"
FEB27T5D	27"	50-7/16"	24-1/2"	24-5/8"	48-5/8"	27-1/8"	24-7/8"	25-1/4"	49-1/8"	49-7/8"	23-1/2"	11-1/2"
<b>27" Single</b>												
PLEB27S9D	27"	29"	24-1/2"	24-5/8"	27-3/16"	27-1/8"	24-7/8"	25-1/4"	27-1/4"	28-5/8"	23-1/2"	4-1/2" - 31"*
GLEB27S9D	27"	29"	24-1/2"	24-5/8"	27-3/16"	27-1/8"	24-7/8"	25-1/4"	27-1/4"	28-5/8"	23-1/2"	4-1/2" - 31"*
GLEB27S7C (Side Swing)	26-7/8"	31-1/8"	25-3/8"	24-11/16"	28-3/32"	27"	24-7/8"	25-1/4"	28-1/8"	30-1/8"	23-1/2"	4-1/2" - 31"*
FEB27S7D	27"	29"	24-1/2"	24-5/8"	27-3/16"	27-1/8"	24-7/8"	25-1/4"	27-1/4"	28-5/8"	23-1/2"	4-1/2" - 31"*
FEB27S6D	27"	29"	24-1/2"	24-5/8"	27-3/16"	27-1/8"	24-7/8"	25-1/4"	27-1/4"	28-5/8"	23-1/2"	4-1/2" - 31"*
FEB27S5D	27"	29"	24-1/2"	24-5/8"	27-3/16"	27-1/8"	24-7/8"	25-1/4"	27-1/4"	28-5/8"	23-1/2"	4-1/2" - 31"*
<b>24" Single</b>												
FEB24S5A	23-7/8"	30-3/4"	25-3/8"	21-11/16"	28-3/32"	24"	22"	22-1/4"	28-1/8"	30-1/8"	23-1/2"	18" - 31"
FEB24S2A	23-7/8"	30-3/4"	25-3/8"	21-11/16"	28-3/32"	24"	22"	22-1/4"	28-1/8"	30-1/8"	23-1/2"	18" - 31"

\*This model can be installed under a counter. Refer to Under-Counter Installation specifications.

## UNDER-COUNTER INSTALLATION

The following dimension and cutout information is for planning purposes only. For complete installation details consult manual packed with product, or download manual at Customer Service, online at [www.frigidaire.com](http://www.frigidaire.com).

**Note:** Certain cooktop models may be installed over this built-in oven. See your dealer or call 1-800-Frigidaire for list of cooktop models approved for this application. For cooktop installation, see literature supplied with the cooktop unit.



## DIMENSIONS

Under-Counter Models	Cutout Dimensions				I-Depth	Clearance J- To Floor*
	G-Width Minimum Maximum		H-Height Minimum Maximum			
<b>30" Single</b>						
PLEB30S9D	28-1/2"	29"	27-1/4"	28-5/8"	23-1/2"	4-1/2"
GLEB30S9D	28-1/2"	29"	27-1/4"	28-5/8"	23-1/2"	4-1/2"
FEB30S7D	28-1/2"	29"	27-1/4"	28-5/8"	23-1/2"	4-1/2"
FEB30S6D	28-1/2"	29"	27-1/4"	28-5/8"	23-1/2"	4-1/2"
FEB30S5D	28-1/2"	29"	27-1/4"	28-5/8"	23-1/2"	4-1/2"

\*4-1/2" max. (If no cooktop is installed directly above, 5" max.)

Under-Counter Models	Cutout Dimensions				I-Depth	Clearance J- To Floor*
	G-Width Minimum Maximum		H-Height Minimum Maximum			
<b>27" Single</b>						
PLEB27S9D	24-7/8"	25-1/4"	27-1/4"	28-5/8"	23-1/2"	4-1/2"
GLEB27S9D	24-7/8"	25-1/4"	27-1/4"	28-5/8"	23-1/2"	4-1/2"
GLEB27S7C (Side Swing)	24-7/8"	25-1/4"	28-1/8"	28-5/8"	23-1/2"	4-1/2"
FEB27S7D	24-7/8"	25-1/4"	27-1/4"	28-5/8"	23-1/2"	4-1/2"
FEB27S6D	24-7/8"	25-1/4"	27-1/4"	28-5/8"	23-1/2"	4-1/2"
FEB27S5D	24-7/8"	25-1/4"	27-1/4"	28-5/8"	23-1/2"	4-1/2"

\*4-1/2" max. (If no cooktop is installed directly above, 5" max.)

## 24" GAS WALL OVENS

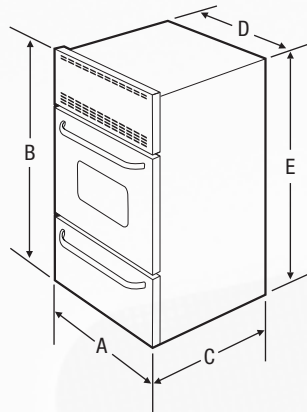
Models	FGB24S5DC	FGB24S5A	FGB24T3A	FGB24L2A
Series	Frigidaire	Frigidaire	Frigidaire	Frigidaire
Nominal Cabinet Size / Configuration	24" Single	24" Single	24" Twin	24" Single + Half
<b>Oven Features</b>				
Self-Cleaning Oven with Auto-Latch™ Safety Lock	*	*		
Manual Clean Porcelain Oven			*	*
Electronic Ignition	*	*	*	*
Interior Oven Light	*	*	*	*
Oven Racks	2	2	3	2
In-Oven Broiler	*	*		
Full-Size Lower Broil Compartment			*	
Slide-Out Broiler				*
Porcelain Broiler Pan with Grill	*	*	*	*
Closed-Door Broiling	*	*	*	*
Removable Storage Drawer	*	*		
<b>Control Panel Features</b>				
Electronic Oven Control	*	*	*	*
Mechanical Thermostat & Knob			*	
Automatic Oven (Delay, Cook & Off)	*	*		
Electronic Clock / Timer	*	*	*	*
Sabbath Mode	*	*		
<b>Oven Style</b>				
Color	Black	Color	Color	Color
Visualite® Window	*	*	*	*
Doors	Stainless Steel	Color / Glass	Color / Glass (Both)	Color / Glass
Handles	Black	Color	Color (Both)	Color
<b>Specifications</b>				
Interior Oven - Width	17"	17"	19"	18-1/2"
Interior Oven - Height	16"	16"	14"	16"
Interior Oven - Depth	18-1/2"	18-1/2"	17-5/8"	18-1/2"
Oven Capacity	2.9 Cu. Ft.	2.9 Cu. Ft.	2.7 Cu. Ft.	3.2 Cu. Ft.
Shipping Weight	177 Lbs.	173 Lbs.	143 Lbs.	127 Lbs.
LP Convertible (No Additional Parts Required)	*	*	*	*
120V / 60Hz / 15 Amp Power Source Required*	*	*	*	*
<b>Color / UPC (0-57112-)</b>				
Stainless Steel (C)	08694-1			
White (S)		08075-8	08099-4	08073-4
Black (B)		08076-5	08100-7	08074-1

\* Consult Local / National Electric Codes.  
Specifications subject to change.

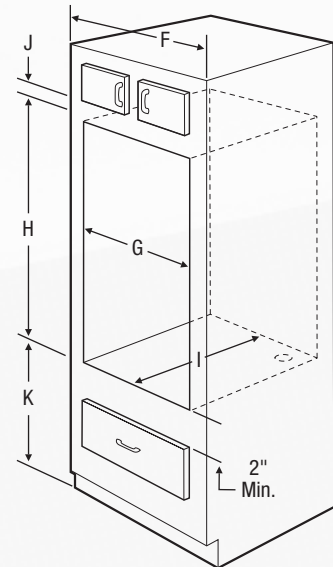
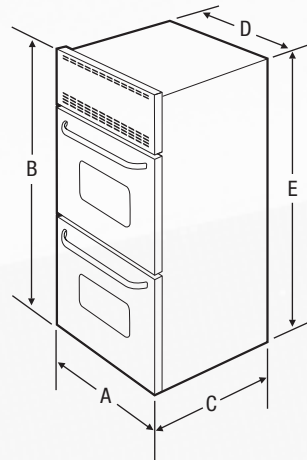
## INSTALLATION

The following dimension and cutout information is for planning purposes only. For complete installation details consult manual packed with product, or download manual at Customer Service, online at [www.frigidaire.com](http://www.frigidaire.com).

1-1/2 Oven Cavity Models



2 Oven Cavity Models



- Oven Door Swing Clearances –**
- 2 Oven Cavity Model – Allow 17-5/8"
  - 1-1/2 Oven Cavity Model – Allow 19-3/8"

## DIMENSIONS

Models	Exterior Dimensions			Wrapper Dimensions		Cabinet F - Size	Cutout Dimensions				Clearances		
	A - Width	B - Height	C - Depth	D - Width	E - Height		G - Width Minimum Maximum		H - Height Minimum Maximum		I - Depth Minimum	J - Height Minimum	K - To Floor
FGB24S5DC	23-7/8"	38-7/16"	25-3/8"	21-11/16"	37-3/8"	24"	22"	22"	37-1/2"	39"	23-1/2"	1-1/2"	10" - 27-1/2"
FGB24S5A	23-7/8"	38-7/16"	25-3/8"	21-11/16"	37-3/8"	24"	22"	22"	37-1/2"	39"	23-1/2"	1-1/2"	10" - 27-1/2"
FGB24T3A	23-17/32"	42-3/8"	21"	22-5/16"	41-13/16"	24"	22-1/2"	22-1/2"	42-1/8"	42-1/8"	24"	2-1/2"	19-1/2"
FGB24L2A	23-7/8"	38-7/16"	25-3/8"	21-11/16"	37-3/8"	24"	22"	22"	37-1/2"	39"	23-1/2"	1-1/2"	10" - 27-1/2"
<b>Lower Broil Cavity</b>													
FGB24T3A (only)	19"	14"	17-5/8"										

## WARM & SERVE® DRAWERS

Models	PLEW30S3DC	FEW30S2DC
Series	Professional	Frigidaire
Nominal Size	30"	30"
<b>Drawer Features</b>		
Exterior	Stainless Steel	Stainless Steel
Handle	Stainless Steel	Stainless Steel
Ball-Bearing Glide System	•	•
Half-Rack		
Porcelain-Coated Inner Drawer	•	•
Removable Drawer	•	•
<b>Control Panel Features</b>		
Infinite Thermostatic Control with Indicator Light	•	•
Hidden Control	•	•
Temperature Range (145°- 205°)	•	•
<b>Color / UPC (0-57112-)</b>		
Stainless Steel (C)	08708-5	08711-5
<b>Specifications</b>		
Capacity	1.1 Cu. Ft.	1.1 Cu. Ft.
Shipping Weight	61 Lbs.	61 Lbs.
Power Rating (kW @ 120V)	0.45	0.45
Amps @ 120V	4	4
Minimum Circuit Required - Amps*	40	40
Bake Element Wattage	450	450
60" Electrical Cord	Supplied	Supplied
Element Wattage	120V / 450W / 60Hz	120V / 450W / 60Hz
Interior Drawer - Width	20-3/4"	20-3/4"
Interior Drawer - Height	4-1/8"	4-1/8"
Interior Drawer - Depth	23-3/8"	23-3/8"
Exterior Depth (to Handle)	25-1/2"	25-1/2"

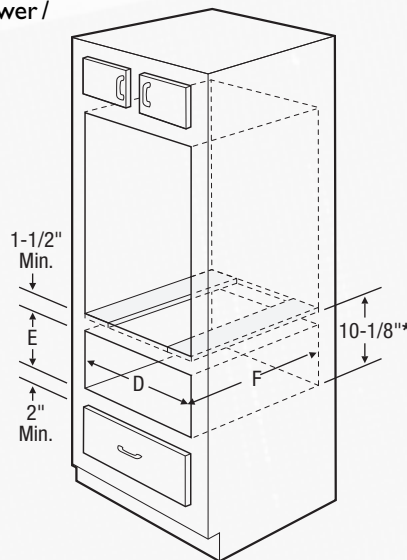
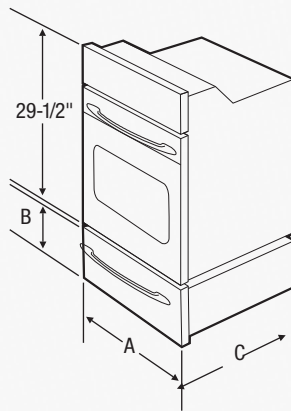
\* Consult Local / National Electric Codes.

## INSTALLATION

Warm & Serve® Drawer can be used in combination with any Frigidaire® 30" Single Electric Wall Oven model.

The following dimension and cutout information is for planning purposes only. For complete installation details consult manual packed with product, or download manual at Customer Service, online at [www.frigidaire.com](http://www.frigidaire.com).

### Combination Warm & Serve® Drawer / 30" Wall Oven Installation



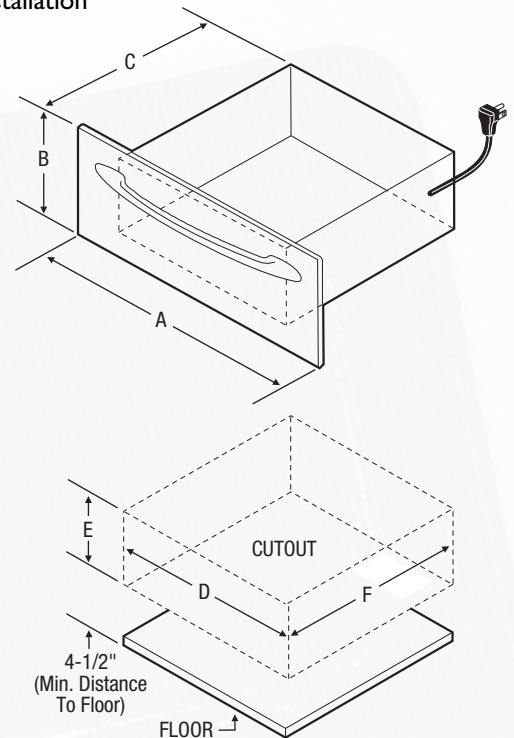
\*Critical dimension – MUST be applied.

## DIMENSIONS

Models	Exterior Dimensions			Cutout Dimensions				
	A - Width	B - Height	C - Depth	D - Width		E - Height*		F - Depth
				Minimum	Maximum	Minimum	Maximum	
Stand-Alone	30"	10"	24-5/8"	28-1/2"	28-3/4"	8-3/8"	8-5/8"	24"
Combination	30"	10"	24-5/8"	28-1/2"	28-3/4"	8-3/8"	8-5/8"	24"

\*It is also possible to install this warmer drawer into a height opening of 9-1/4". (Refer to installation manual for complete details.)

### Stand-Alone Installation



## Frigidaire® Built-In Ovens

### FULL ONE-YEAR WARRANTY

Every Electrolux Home Products built-in oven is guaranteed to be free of materials defects or component malfunctions. Electrolux Home Products will repair, without charge, any problem that occurs during the first year after original date of purchase.\*

### LIMITED ONE-YEAR WARRANTY

Electrolux Home Products will provide a replacement for any defective part(s) that breaks due to defects in materials or workmanship (not customer abuse), for one year from original date of purchase.\* Diagnostic, transportation and labor costs which are required because of service are the responsibility of the consumer.

*\*Some restrictions may apply for Alaska.*

This warranty is provided by Electrolux Home Products North America, a division of Electrolux Home Products Inc. in the U.S.A., and in Canada by Electrolux Canada Corp. For complete warranty details, please refer to your Owner's Manual.

*High standards of quality at Electrolux Home Products mean we are constantly working to improve our products. We reserve the right to change specifications or discontinue models without notice.*

### PARTS AND SERVICE

Wherever you live or move in the U.S.A., our national network of authorized independent service companies provide prompt, professional repair service. To maintain warranties, always ask for Electrolux Home Products Genuine Renewal Parts.



## Frigidaire® Warm & Serve® Drawer

### FULL ONE-YEAR WARRANTY

Every Electrolux Home Products warmer drawer is guaranteed to be free of materials defects or component malfunctions. Electrolux Home Products will repair, without charge, any problem that occurs during the first year after original date of purchase.\*

### LIMITED ONE-YEAR WARRANTY

Electrolux Home Products will provide a replacement for any defective part(s) that breaks due to defects in materials or workmanship (not customer abuse), for one year from original date of purchase.\* Diagnostic, transportation and labor costs which are required because of service are the responsibility of the consumer.

*\*Some restrictions may apply for Alaska.*

This warranty is provided by Electrolux Home Products North America, a division of Electrolux Home Products Inc. in the U.S.A., and in Canada by Electrolux Canada Corp. For complete warranty details, please refer to your Owner's Manual.

*High standards of quality at Electrolux Home Products mean we are constantly working to improve our products. We reserve the right to change specifications or discontinue models without notice.*

### PARTS AND SERVICE

Wherever you live or move in the U.S.A., our national network of authorized independent service companies provide prompt, professional repair service. To maintain warranties, always ask for Electrolux Home Products Genuine Renewal Parts.




## ELECTROLUX

### THE WORLD'S NUMBER ONE CHOICE

Every Frigidaire® appliance is backed by the global strength of the Electrolux Group, the world's largest producer of kitchen, cleaning and outdoor appliances combined.

*Frigidaire®*

1-800-FRIGIDAIRE • <http://www.frigidaire.com>  
Electrolux Home Products, NA  
250 Bobby Jones Expressway, Martinez, GA 30907

 **The Electrolux Group. The world's No. 1 choice.**  
KITCHEN, CLEANING AND OUTDOOR APPLIANCES COMBINED

