

Frigidaire

Factory Parts Catalog

Product No.	FGB24S5DCA
	37454432E40S1
Series	24" single
Color	stainless
Market	North America
Wiring Diagram	318046312
Owner's Guide	318200953
Installation Instructions	318201551
Service Data Sheet	318047410
Timer Guide	318200191

 **Electrolux**

ELECTROLUX HOME PRODUCTS, INC.
P.O. Box 212378, Augusta, GA 30917

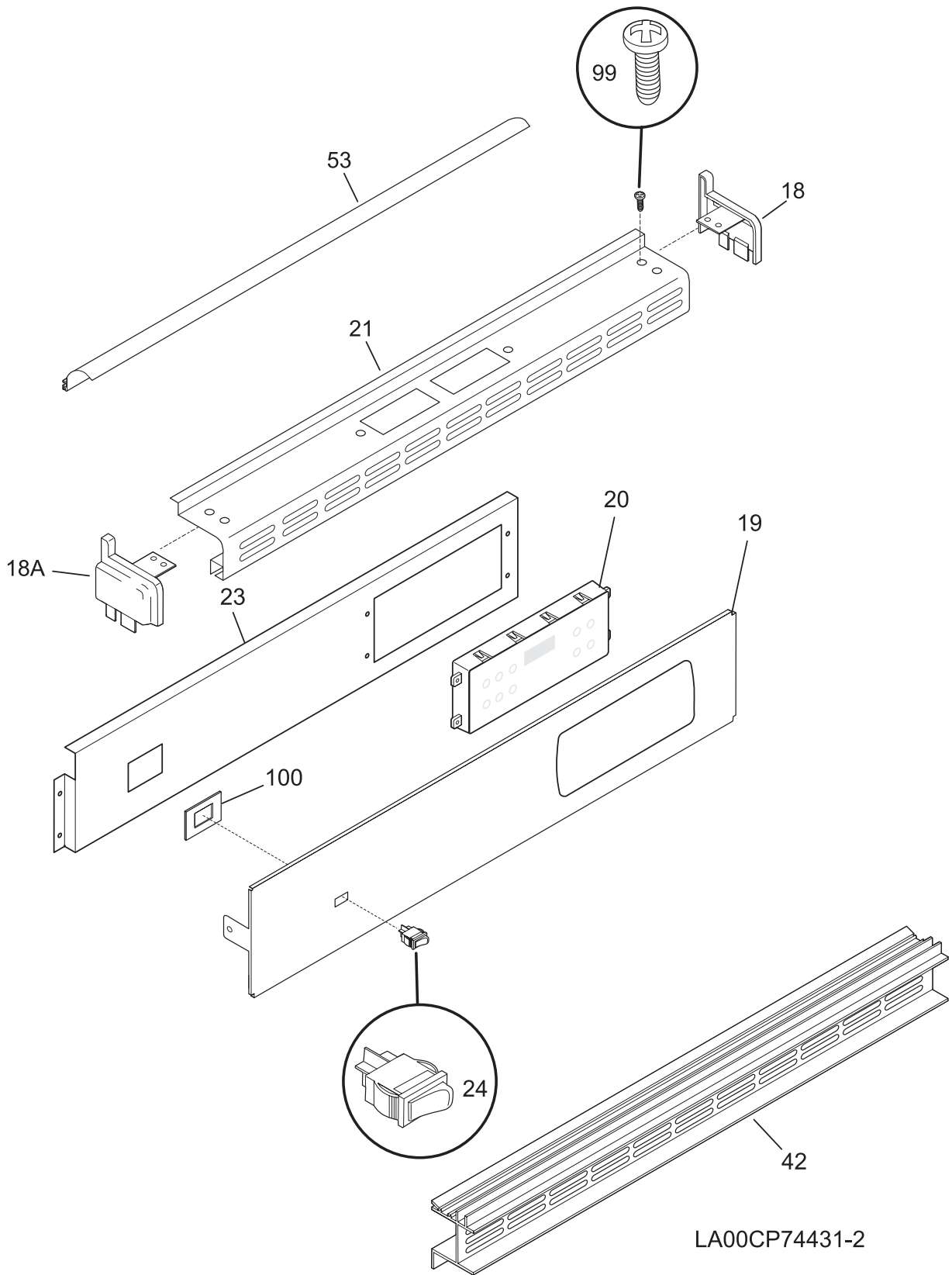
Publication No.
5995420576
04/11/01
(EN/SERVICE/ECL)
377

SINGLE GAS WALL OVEN

Model No.
FGB24S5D

Copyright © 2004 Electrolux Home Products, Inc.
All rights reserved.

CONTROL PANEL

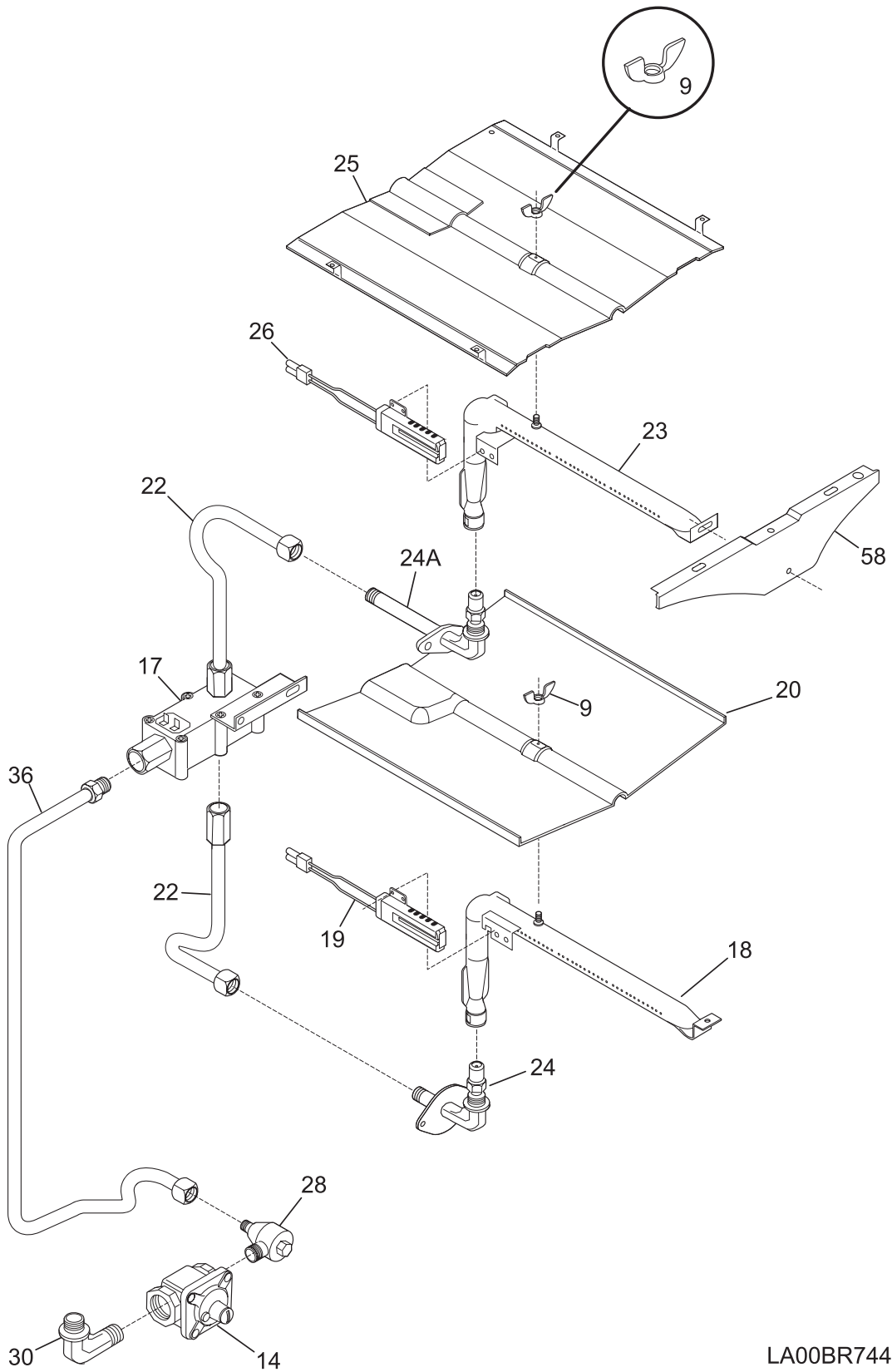


LA00CP74431-2

CONTROL PANEL

POS. NO	PART NO.	DESCRIPTION
18	5303280338	End Cap, black, RH
18A	5303280339	End Cap, black, LH
19	318234108	Panel, control, black
20 #	318185431	Clock/Timer, electronic, black
20*	316220805	Overlay, clock, black, ES300
21	5303308451	Trim, splasher, black
23	318015034	Bracket, clock/timer
24 #	316005602	Switch, rocker, black
42	318027101	Trim, center vent, black
53	318056901	Deflector trim, black
99	5303311528	Screw, oval hd sq dr, 6-20AB x 0.625, black
100	318112200	Plate, mounting, rocker switch
*	08002868	Screw, 10-24 x 0.500, probe, thrm brkt, shield, drwr, box
*	5303323130	Screw, 8 x 1/4

BURNER

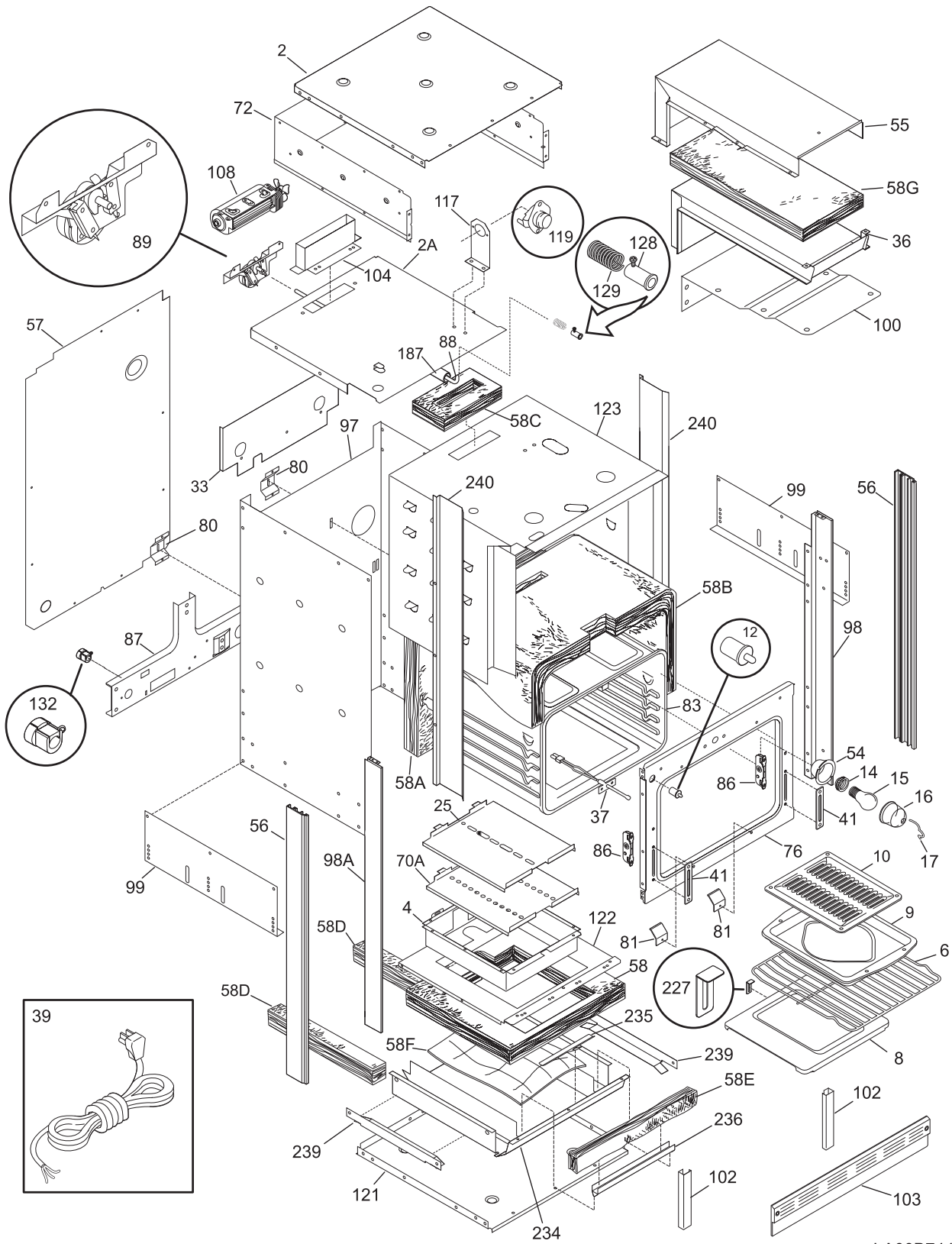


LA00BR74431-1

BURNER

POS. NO	PART NO.	DESCRIPTION
9	3201885	Nut, Keps, 10-24
14 #	5303210167	Regulator, pressure
17 #	5303210798	Valve, safety
18 #	5303210787	Burner, oven
19 #	318177710	Ignitor, oven burner
20	3203676	Baffle, oven burner
22	5303271092	Tubing, valve
23 #	5303283132	Burner, broiler
24 #	5303210786	Mixer Elbow, bake
24A#	5303210807	Mixer Elbow, broiler
25	5303326220	Baffle, broil burner
26 #	316119302	Ignitor, broiler
28 #	5303295305	Valve, shut off
30	5303305657	Elbow, fitting
36	318177801	Tubing, safety valve, upper
58	318123600	Shield, broiler
*	3051070	Screw, hex washer head, 10-24 x 0.438, special
*	08002868	Screw, 10-24 x 0.500, probe, thrm brkt, shield, drwr, box
*	5303311306	Screw, 8-18 x 0.375
*	5303311549	Screw, burner mtg

BODY



LA00B74431-1

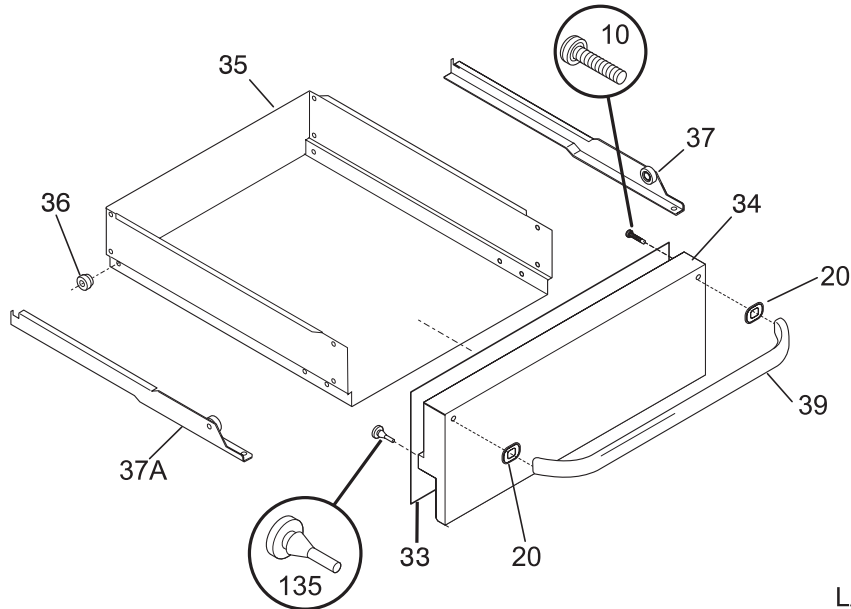
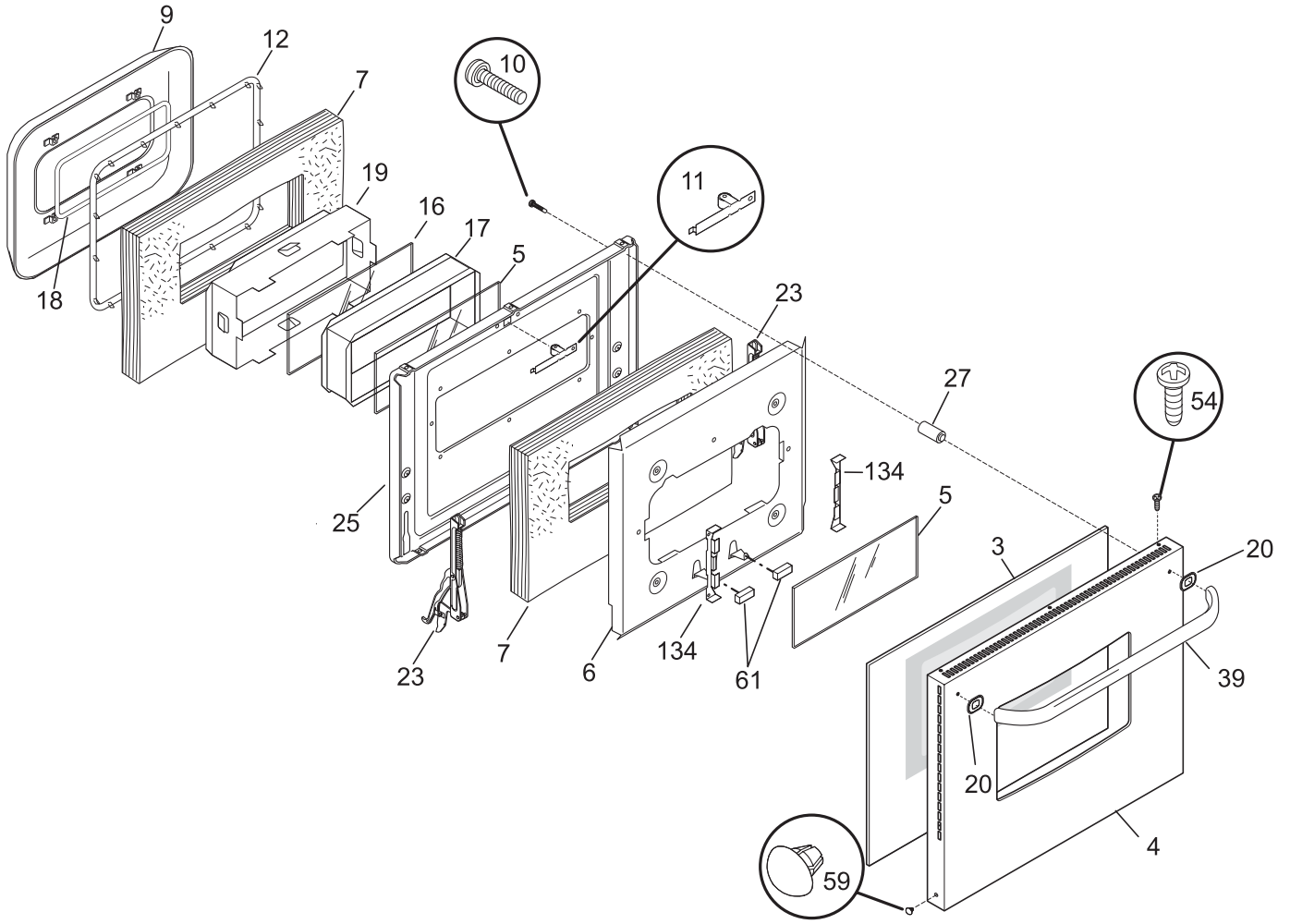
BODY

POS. NO	PART NO.	DESCRIPTION
2	318145003	Wrapper, base
2A	318102401	Cover, mid top
4	318161500	Box, oven burner
6	5303299366	Rack, oven
8	318121400	Panel, oven bottom
9	5303317977	Pan, broiler
10	5303317976	Insert, broiler pan
12 #	318089913	Switch, light
12*	5303271097	Bracket, light switch
14	318224000	Receptacle, oven light
15	5303013071	Bulb/Lamp, oven light
16	3201911	Cover, oven light, glass
17	5304400195	Retainer, light cover
25	318179000	Shield, insulation, base
33	318187301	Shield, housing
36	3203725	Flue
37 #	316217002	Probe, oven temp
39	318144003	Cord, Service
41	5303310526	Cover, hinge cutout
54	318222400	Housing, oven light
55	5303326219	Shield, flue
56	318145508	Trim, bodyside
*	5303320422	Screw, 6-20 x 5/16, black, (6)
57	318071130	Shield, rear wall
58	318133735	Insulation, oven bottom
58A	318133736	Insulation, oven back
58B	318133760	Insulation, top & sides
58C	318133739	Insulation
58D	318133732	Insulation
58E	318133733	Insulation
58F	318133734	Insulation, flue
58G	5303326119	Insulation, flue
70A	5303210843	Shield, insulation
72	5303210685	Wrapper, shield
76	318056139	Front, oven
80	318192400	Spring, oven
81	5303323710	Bracket, oven
83	318089411	Liner, oven assy
86	5303310524	Receptacle, hinge
87	5303308443	Bracket, safety valve
88	5303311222	Rod, latch
*	5303311528	Screw, oval hd sq dr, 6-20AB x 0.625, black
89 #	318095937	Motor, latch assy, w/brkt & switch
89*	318120711	Switch
*	3201861	Screw, 6 x 0.375, (4)
97	318066803	Wrapper, back & sides
98	318029400	Trim, side, inner, RH
98A	318029401	Trim, side, inner, LH
99	5303299686	Support, adjustable
100	5303302715	Shield, flue, bottom
102	3203688	Support, oven front

BODY

POS. NO	PART NO.	DESCRIPTION
103	5303316735	Trim, base, black, lower
104	318170210	Flue
108#	318073001	Motor, fan
*	08016432	Screw, truss head, 8-18 x 0.375
117	5303302718	Bracket, thermo protect
119#	5303326252	Switch, thermal
121	318145001	Wrapper, base
122	5303210844	Shield, heat, lower
123	318071421	Shield, insulation, top & sides
128	5303311163	Bushing
129	5303311164	Spring
132	3201437	Strain relief
187	318013501	Tube, latch rod
227	5303323958	Retainer, oven bottom
234	5303210851	Shield, burner box
235	5303326207	Bracket
236	318108900	Shield, insulation, 1.25x1.0x12.9
239	5303326183	Angle, burner box
240	318119301	Shield, bodyside
*	318232518	Wiring Harness, main
* #	318003606	Thermostat, safety
*	318147411	Bumper, door, (2)
*	08002868	Screw, 10-24 x 0.500, probe, thrm brkt, shield, drwr, box
*	08011955	Screw, 10-24 x 0.375, square drive
*	5303211311	Screw, 8 x 0.500
*	5303300195	Screw, 10-32 x 0.375, terminal block, (2)
*	5303302745	Screw, 10-16x1-1/8, square drive
*	5303323130	Screw, 8 x 1/4
*	5303323277	Screw, 8-18 X 13/32

DOOR/DRAWER

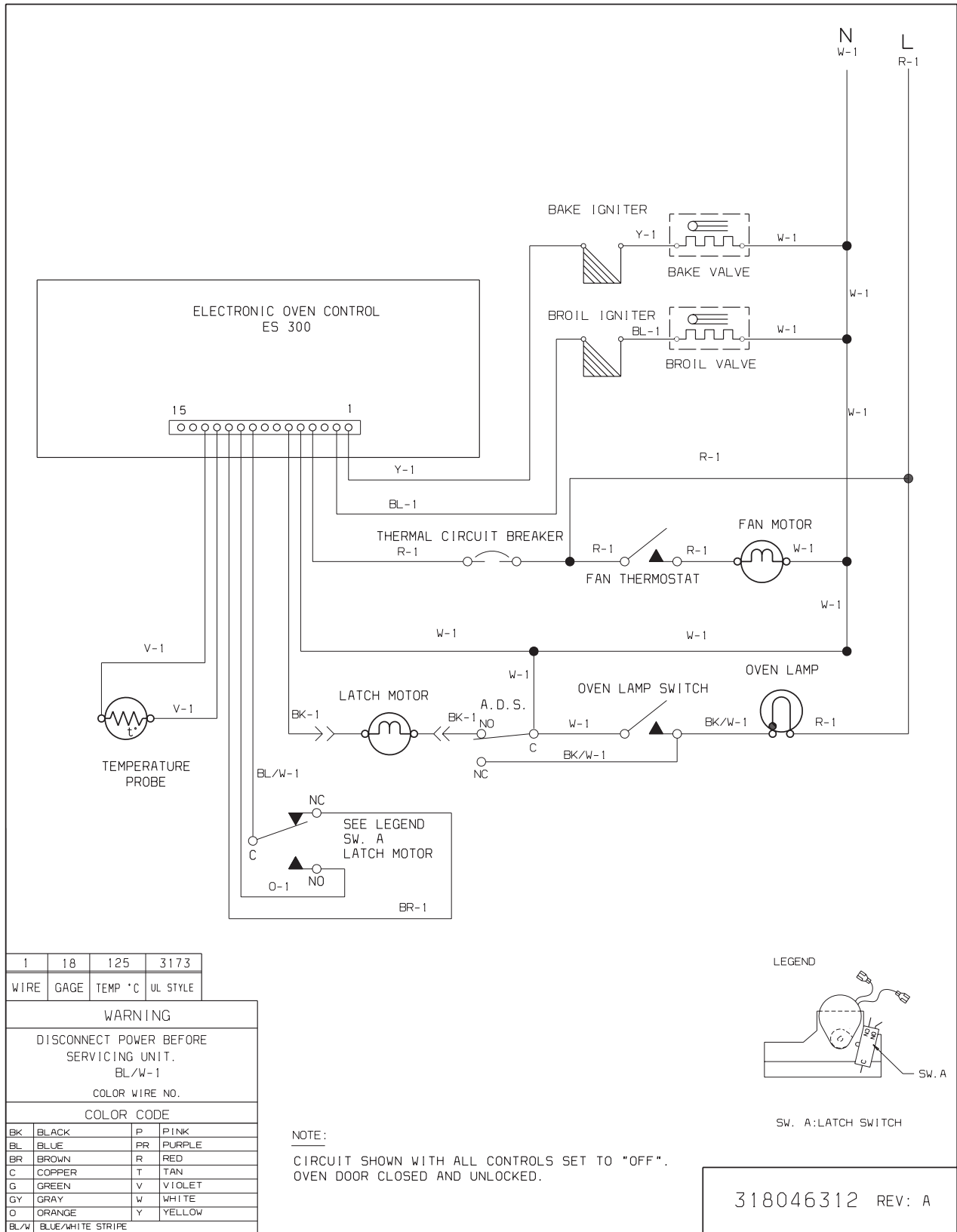


LA20D74431-1

DOOR/DRAWER

POS. NO	PART NO.	DESCRIPTION
4	318051521	Glass, oven door, black, outer
5	5303324250	Glass, door, 13 1/2 x 6 1/2
6	318073600	Shield, air wash
7	318133740	Insulation, oven door
9	318038600	Liner, oven door
10	5303310510	Screw, 10-24 x 0.625
11	318065102	Latch, door
12	318178801	Seal, oven door, upper oven
13	318280001	Panel, exterior door, stainless
15	318091102	Bracket, glass, (3)
16	5303323828	Glass-oven door
17	318139100	Spacer, glass, upper oven
18	3016263	Seal, rope, upper oven
19	318139201	Collar, glass mtg
20	318014300	Spacer, handle, black, (2)
21	3201885	Nut, Keps, 10-24
23	5303310506	Hinge, oven door, upper oven
23*	3201899	Washer, flat
25	318048309	Liner, oven door
27	318014400	Spacer, door
33	318285401	Liner, storage drawer, black
34	318283400	Panel, drawer, stainless, front
35	5303326215	Drawer
36	5303935079	Roller
37	3203722	Rail, drawer, RH
37A	3203723	Rail, drawer, LH
39	316091103	Handle, door, black, oven
59	3202113	Plug, button
61	5303300414	Spacer, cork & rubber
134	318122101	Bracket, glass
135	3131903	Bumper, rubber
*	5303316982	Foam seal, (2)
*	318163602	Cleaner, stainless steel
*	3051070	Screw, hex washer head, 10-24 x 0.438, special
*	5303211311	Screw, 8 x 0.500
*	5303308458	Screw, 10-24, (4)
*	5303325981	Screw, 10-16 x 1 1/2

WIRING DIAGRAM

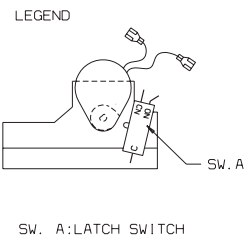


1	18	125	3173
WIRE	GAGE	TEMP °C	UL STYLE

WARNING
 DISCONNECT POWER BEFORE
 SERVICING UNIT.
 BL/W-1
 COLOR WIRE NO.

COLOR CODE

BK	BLACK	P	PINK
BL	BLUE	PR	PURPLE
BR	BROWN	R	RED
C	COPPER	T	TAN
G	GREEN	V	VIOLET
GY	GRAY	W	WHITE
O	ORANGE	Y	YELLOW
BL/W	BLUE/WHITE STRIPE		



NOTE:
 CIRCUIT SHOWN WITH ALL CONTROLS SET TO "OFF".
 OVEN DOOR CLOSED AND UNLOCKED.

318046312 REV: A