



*Frigidaire*

Factory Parts Catalog

Product No.	FMV156DBA	FMV156DCA	FMV156DQA	FMV156DSA
Market	North America	North America	North America	North America
Color	black	stainless steel	bisque	white
Volts	120	120	120	120
Watts	950	950	950	950
Wiring Diagram	5995415998	5995415998	5995415998	5995415998
Owner's Guide	316137330	316137330	316137330	316137330
Installation Instructions	316137333	316137333	316137333	316137333

 **Electrolux**

ELECTROLUX HOME PRODUCTS, INC.  
P.O. Box 212378, Augusta, GA 30917

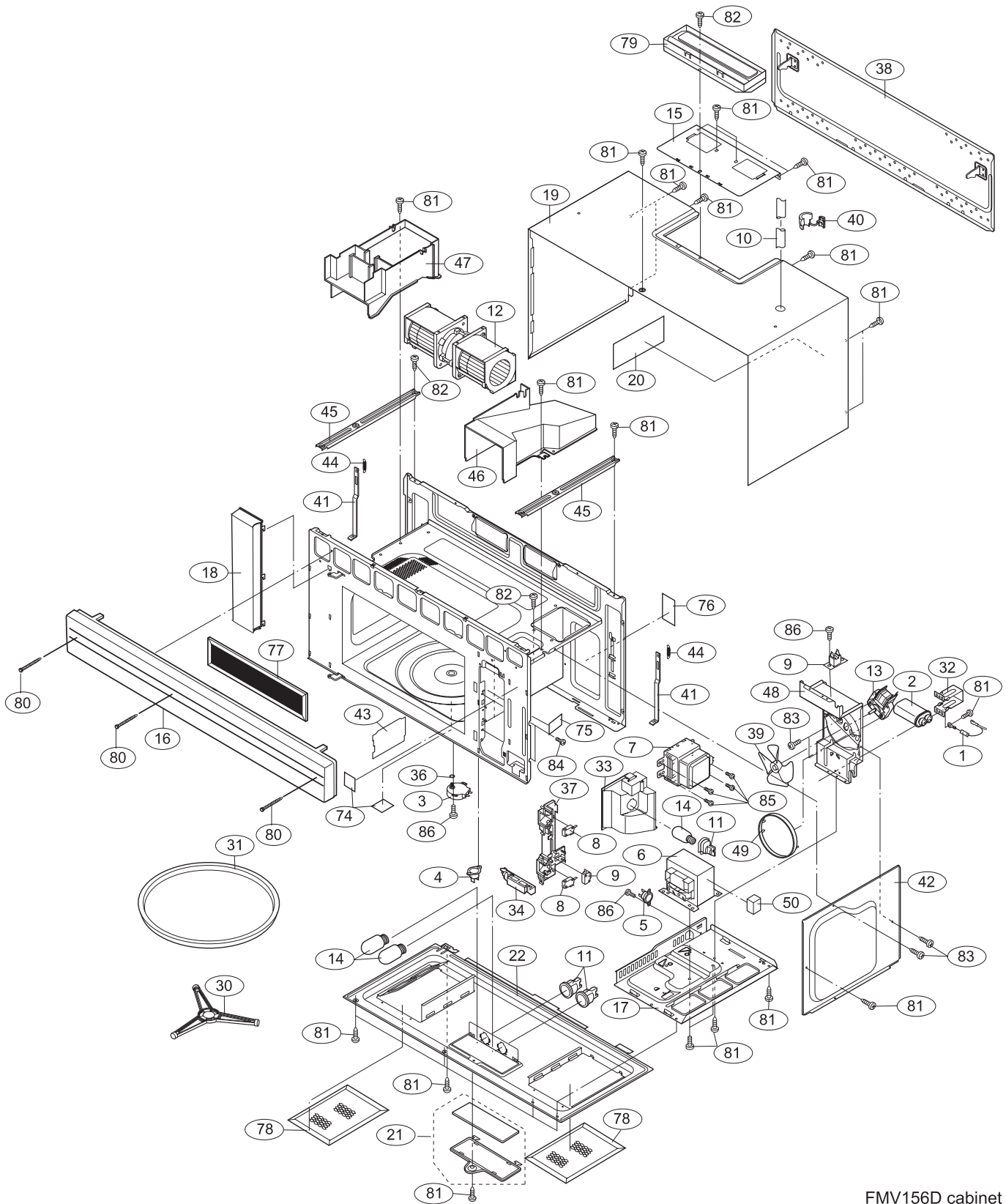
Publication No.  
**5995415998**  
04/09/08  
(EN/SERVICE/KC)  
099

**OVER-RANGE  
MICROWAVE**

Model No.  
**FMV156D**

Copyright © 2004 Electrolux Home Products, Inc.  
All rights reserved.

### OVEN, CABINET



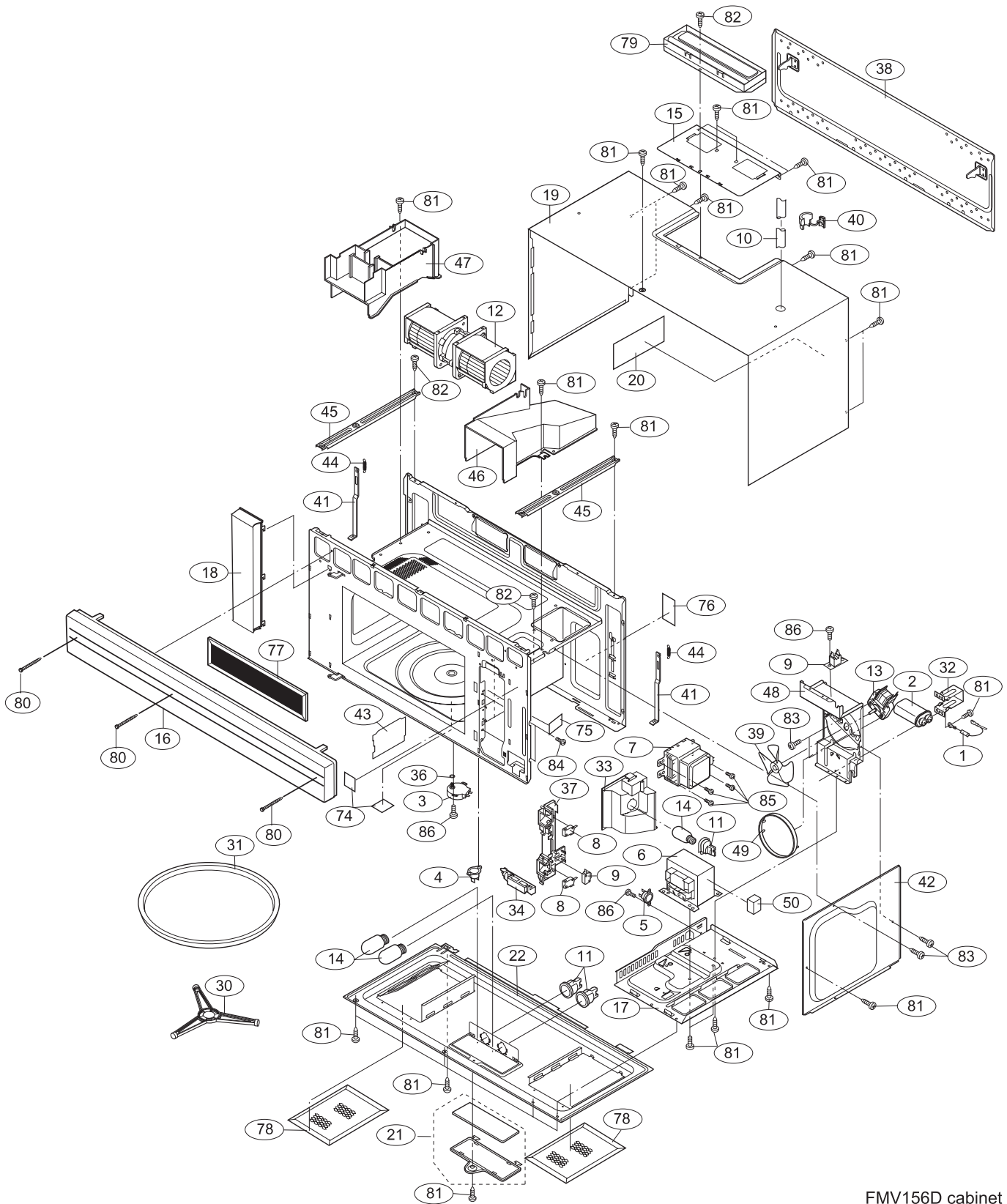
FMV156D cabinet

**OVEN, CABINET**

Model Index: A FMV156D (FMV156DBA)  
 B FMV156D (FMV156DCA)  
 C FMV156D (FMV156DQA)  
 D FMV156D (FMV156DSA)

POS. NO	PART NO.		DESCRIPTION
1 #	5304441844	A B C D	Rectifier, high voltage
2 #	5304440342	A B C D	Capacitor, high voltage
3 #	5304440021	A B C D	Motor, turntable
4 #	5304440032	A B C D	Thermal Cutout, oven cavity, N.C. 145 deg C
5 #	5304440023	A B C D	Thermal Cutout, hood, N.O.60 deg C
6 #	5304441845	A B C D	Transformer, power
7 #	5304441846	A B C D	Magnetron
8 #	5304440026	A B C D	Relay/Switch Assy, sec. interlock, door sense sw.
9 #	5304440027	A B C D	Switch Kit, monitor, with CT fuse
10 #	5304440028	A B C D	Power Cord, electric
11 #	5303319561	A B C D	Receptacle, lamp socket, oven
12 #	5304441847	A B C D	Motor, hood fan
13 #	5304441848	A B C D	Motor, cooling fan
14	5304440031	A B C D	Lamp, incandescent, 20 W, (3)
15	5304441849	A B C D	Plate, rear stay
16	5304441850	A B - -	Grille, exhaust louver, black
16	5304441851	- - C -	Grille, exhaust louver, bisque
16	5304441852	- - - D	Grille, exhaust louver, white
17	5304441853	A B C D	Base, transformer mtg, right side
18	5304441854	A - - -	Panel, front trim, black, left side
18	5304441855	- B - -	Panel, front trim, stainless steel, left side
18	5304441856	- - C -	Panel, front trim, bisque, left side
18	5304441857	- - - D	Panel, front trim, white, left side
19	5304441858	A B - -	Casing, wrapper, black, outer cabinet
19	5304441859	- - C -	Casing, wrapper, bisque, outer cabinet
19	5304441860	- - - D	Casing, wrapper, white, outer cabinet
20	5304441861	A B C D	Wiring Diagram, schematic
21	5304440242	A B C D	Lens/Frame Assy, oven lamp
22	5304441862	A B C D	Cover, unit base, cab bottom
30	5304440284	A B C D	Support Assy, turntable
31	5304441872	A B C D	Tray, turntable, glass
32	5304441873	A B C D	Retainer, capacitor strap
33	5304441874	A B C D	Duct, magnetron
34	5304440841	A B C D	Lever, door release
36	5304440288	A B C D	Bushing, motor shaft, turntable
37	5304440289	A B C D	Latch Hook
38	5304441833	A B C D	Bracket, unit mtg plate, rear
39 #	5304440843	A B C D	Fan Blade, cooling fan
40	5303319605	A B C D	Bushing, power cord
41	5304441875	A B C D	Lever, unit mounting, release
42	5304441876	A B C D	Duct, hood intake, right side
43	5304440845	A B C D	Cover, waveguide
44	5304440316	A B C D	Spring, door latch
45	5304441877	A B C D	Support, chassis
46	5304441878	A B C D	Duct, hood intake, right side
47	5304441879	A B C D	Duct, exhaust hood, left side
48	5304441880	A B C D	Duct, cooling fan

# OVEN, CABINET



FMV156D cabinet

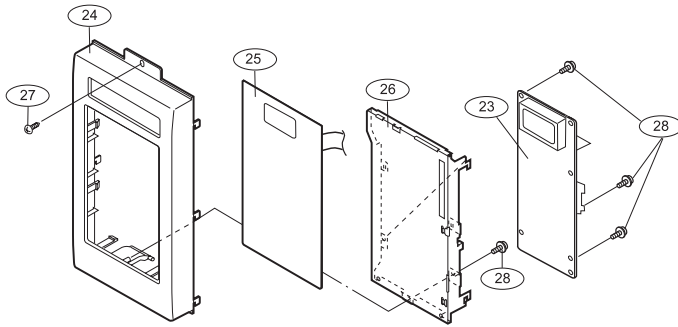
**OVEN, CABINET**

*Model Index:* A FMV156D (FMV156DBA)  
 B FMV156D (FMV156DCA)  
 C FMV156D (FMV156DQA)  
 D FMV156D (FMV156DSA)

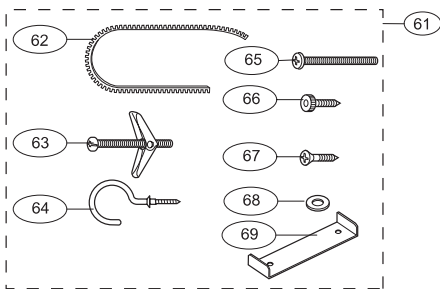
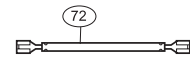
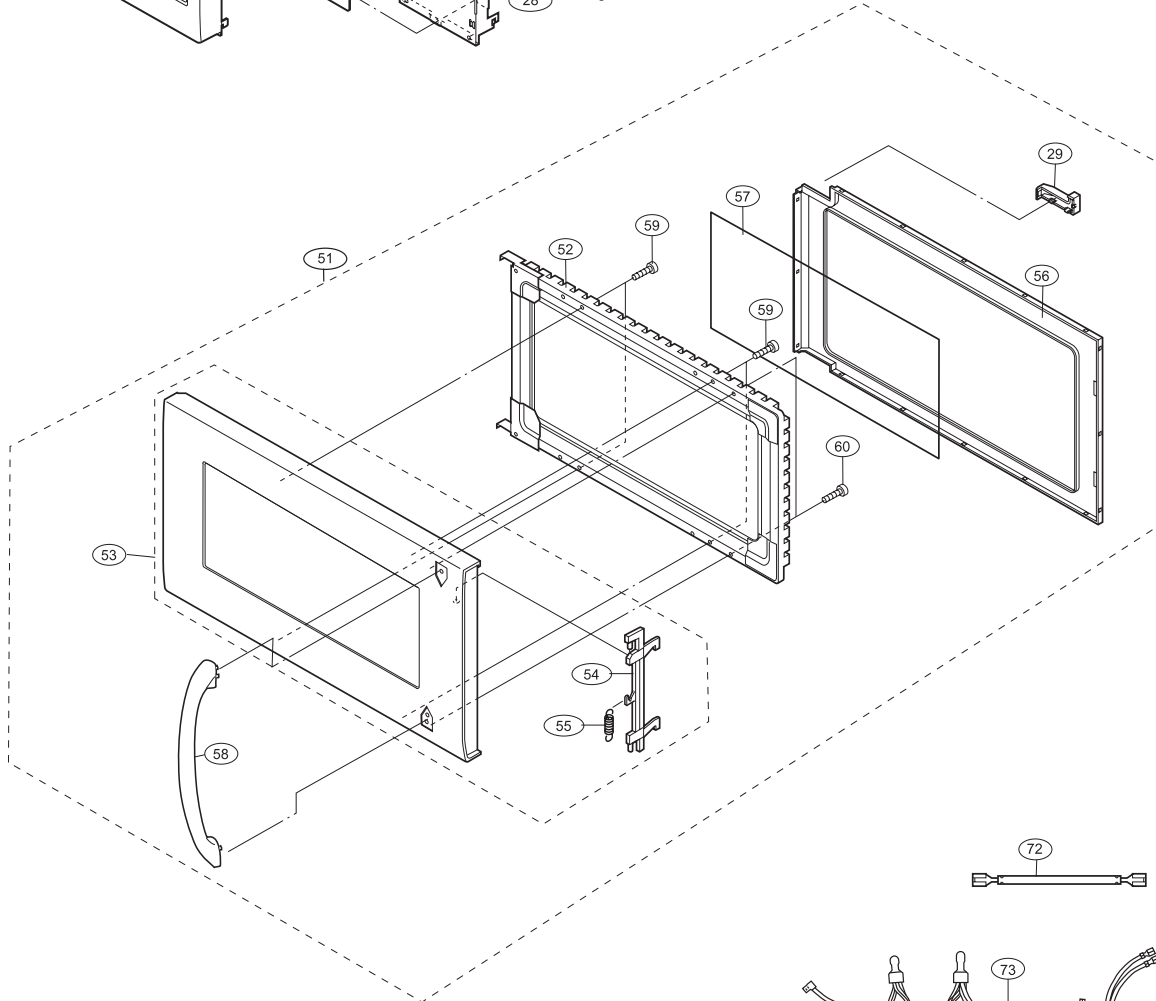
POS. NO	PART NO.		DESCRIPTION
49	5304441881	A B C D	Ring, fan orifice
50	5304441882	A B C D	Cushion, transformer pad
74	5304441900	A B C D	Label, Caution-DHHS
75	5304440334	A B C D	Label, Caution-monitor
76	5304440333	A B C D	Label, Caution-DHHS
77	5304441901	A B C D	Filter, inside exhaust, charcoal
78	5303319568	A B C D	Filter, grease, (2)
79	5304440283	A B C D	Damper Assy, exhaust
80	5303319640	A B - -	Screw, vent grille, black, (3)
80	5303319652	- - C -	Screw, vent grille, bisque, (3)
80	5304441902	- - - D	Screw, vent grille, white, (3)
81	5304440340	A B C D	Screw, 4mm x 12mm
82	5303318767	A B C D	Screw, 4mm x 12mm
83	5304440872	A B C D	Screw, 4mm x 8mm
84	5303319641	A B C D	Screw
85	5303319636	A B C D	Screw
86	5303319633	A B C D	Screw, 3mm x 8mm

**CONTROL PANEL, DOOR, MISC.**

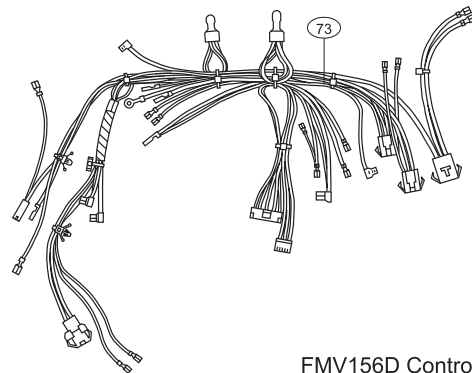
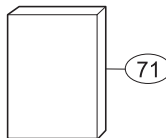
**CONTROL PANEL PARTS**



**DOOR PARTS**



**MISCELLANEOUS**



FMV156D Controls

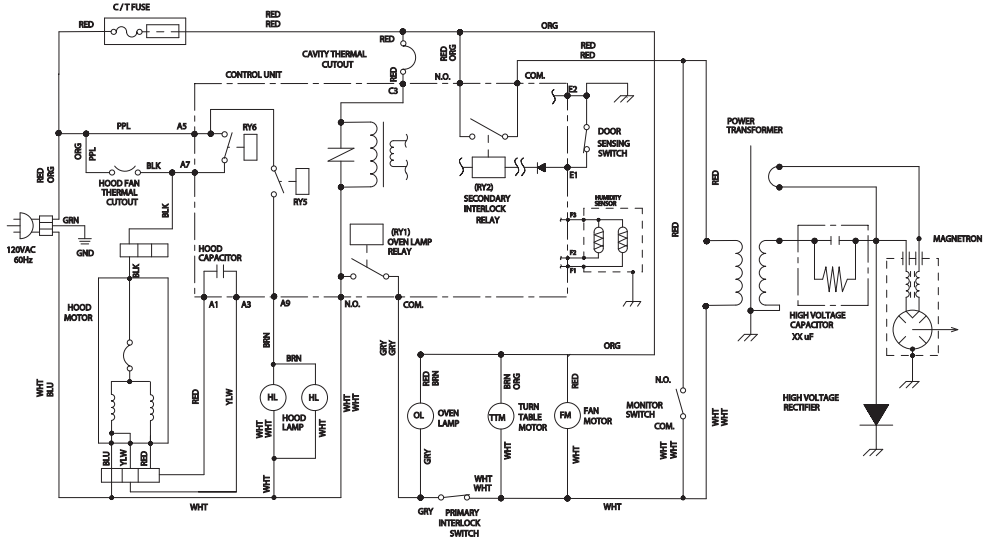
**CONTROL PANEL, DOOR, MISC.**

*Model Index:* A FMV156D (FMV156DBA)  
 B FMV156D (FMV156DCA)  
 C FMV156D (FMV156DQA)  
 D FMV156D (FMV156DSA)

POS. NO	PART NO.		DESCRIPTION
23 #	5304441863	A B C D	Control Board, printed circuit
24	5304441864	A - - -	Frame, control panel, black
24	5304441865	- B - -	Frame, control panel, stainless steel
24	5304441866	- - C -	Frame, control panel, bisque
24	5304441867	- - - D	Frame, control panel, white
25 #	5304441868	A B - -	Switch, touch pad, membrane, black
25 #	5304441869	- - C -	Switch, touch pad, membrane, bisque
25 #	5304441870	- - - D	Switch, touch pad, membrane, white
26	5304440281	A B C D	Panel, control mount
27	5303319584	A B C D	Screw, control panel, 3mm x 10mm
28	5304440282	A B C D	Screw, control board, 3mm x 10mm
29	5304441871	A B C D	Door Stop
51	5304441883	A - - -	Door Assembly, complete, black
51	5304441884	- B - -	Door Assembly, complete, stainless steel
51	5304441885	- - C -	Door Assembly, complete, bisque
51	5304441886	- - - D	Door Assembly, complete, white
52	5304441887	A B - -	Panel, inner door, black
52	5304441888	- - C -	Panel, inner door, bisque
52	5304441889	- - - D	Panel, inner door, white
53	5304441890	A B - -	Frame, outer door, black
53	5304441891	- - C -	Frame, outer door, bisque
53	5304441892	- - - D	Frame, outer door, white
54	5304441893	A B C D	Latch, door
55	5304440316	A B C D	Spring, door latch
56	5304441894	A B C D	Frame, choke cover, inner door
57	5304440860	A B C D	Seal, door, film
58	5304440323	A B - -	Handle, door, black
58	5304440325	- - C -	Handle, door, bisque
58	5304440324	- - - D	Handle, door, white
59	5303319634	A B C D	Screw, 4mm x 8mm
60	5304441895	A B C D	Screw
61	5304441832	A B C D	Hardware, installation, kit
62	5303318761	A B C D	Sleeve, power cord, grommet
63	5303318762	A B C D	Screw, toggle
64	5303322979	A B C D	Hook, screw-in, cord holder
65	5303318764	A B C D	Screw, 5mm x 60mm
66	5303318767	A B C D	Screw, 4mm x 12mm
67	5303318765	A B C D	Screw, wood, 5mm x 35 mm, (6)
68	5303318766	A B C D	Washer, flat, 30mm, (2)
69	5304441896	A B C D	Bracket, scale plate
71	5304441897	A B C D	Template, installation, top
72 #	5304441898	A B C D	Wire, high voltage-A
73 #	5304441899	A B C D	Wiring Harness, main

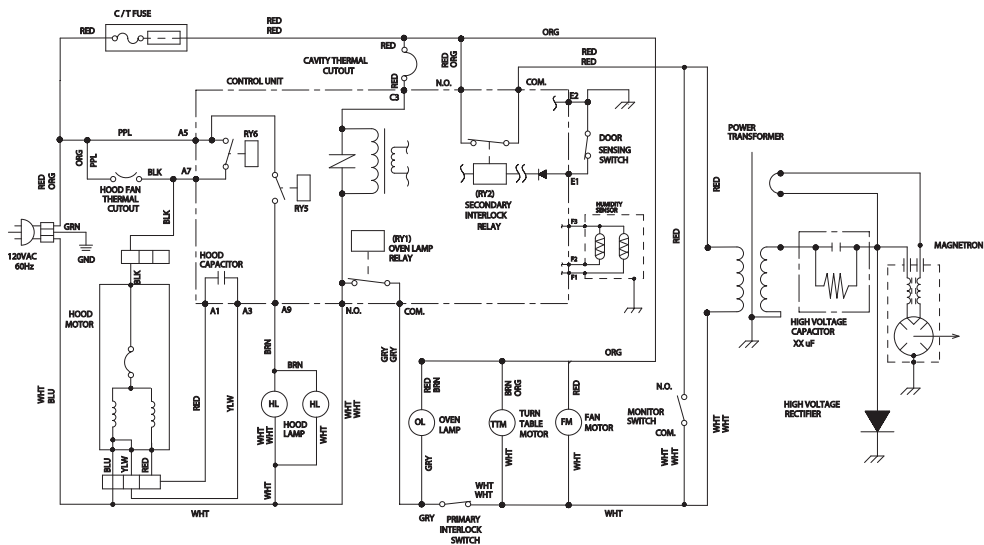
WIRING SCHEMATIC

**SCHEMATIC**  
 NOTE: CONDITION OF OVEN  
 1. DOOR CLOSED.  
 2. CLOCK APPEARS ON DISPLAY.



Oven Schematic-Off Condition

**SCHEMATIC**  
 NOTE: CONDITION OF OVEN  
 1. DOOR CLOSED.  
 2. COOKING TIME PROGRAMMED.  
 3. VARIABLE COOKING CONTROL "HIGH".  
 4. "START" BUTTON PRESSED.



Oven Schematic-Cooking Condition