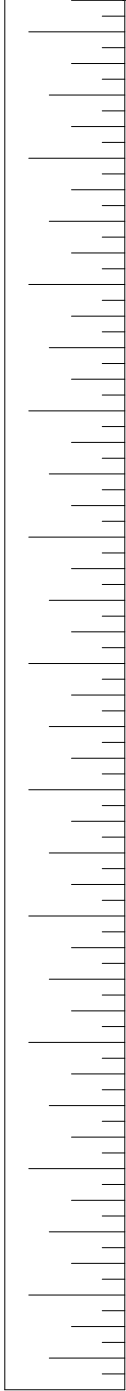


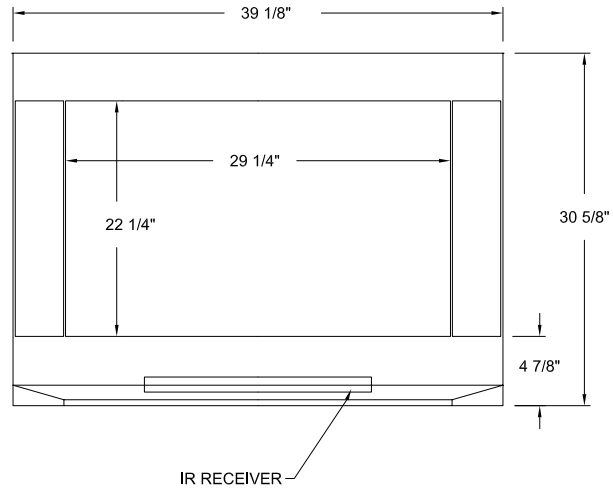
**SONY**  
**KD-36XS955**

DESCRIPTION: 36" Wega®  
 DIMENSIONS: Monitor/Receiver  
 (WHD): 39 1/8" x 30 5/8" x 25"  
 WEIGHT: 230 lbs

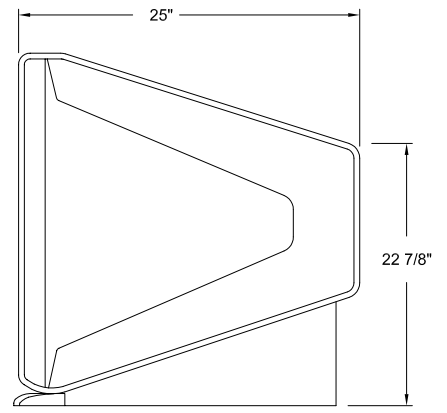
POWER REQUIREMENTS: 120VAC  
 60Hz  
 CONSUMPTION: 280w  
 1w(stby)



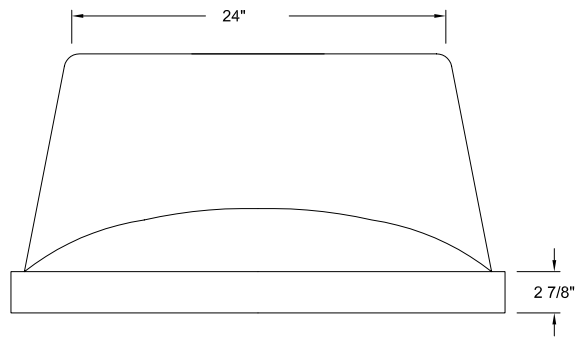
**FRONT VIEW**



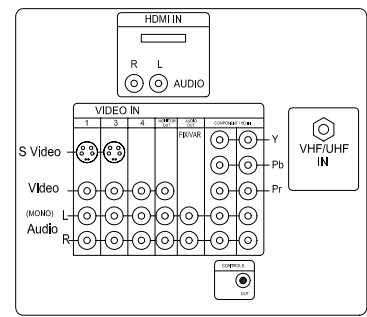
**SIDE VIEW**



**TOP VIEW**



**JACK PACK**



**NOTE:** This drawing is based on prototype and/or pre-production models, not final product and should be used to estimate space and electrical requirements only!

NOTE:  
 WHERE THERE ARE CLOSE TOLERANCES INVOLVED IN CABINET BUILDING OR APPLICATIONS WHICH REQUIRE A GREAT DEGREE OF PRECISION WE RECOMMEND THAT THE PRODUCT ITSELF BE USED TO MAKE THE ACTUAL MEASUREMENTS. SONY WILL NOT BE RESPONSIBLE FOR INACCURACIES IN THE DESIGN OR MANUFACTURE OF ENCLOSURES.

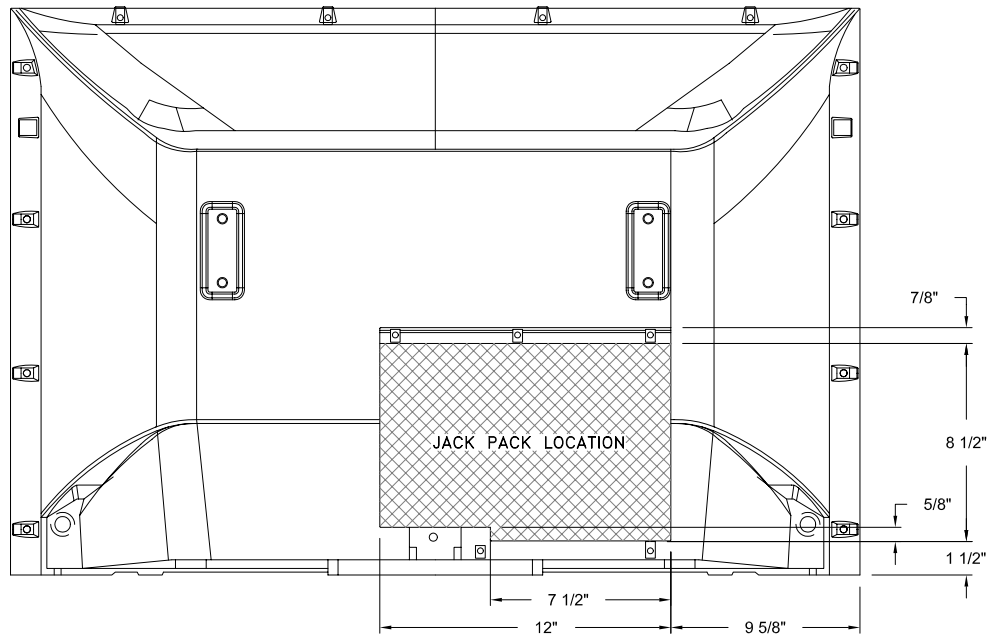
**SONY**

**KD-36XS955**

DESCRIPTION: 36" Wega®  
DIMENSIONS: Monitor/Receiver  
(WHD): 39 1/8"x30 5/8"x25"  
WEIGHT: 230 lbs

POWER REQUIREMENTS: 120VAC  
60Hz  
POWER CONSUMPTION: 280w  
1w(stby)

**REAR VIEW**



**NOTE:** This drawing is based on prototype and/or pre-production models, not final product and should be used to estimate space and electrical requirements only!

NOTE:  
WHERE THERE ARE CLOSE TOLERANCES INVOLVED IN CABINET BUILDING OR APPLICATIONS WHICH REQUIRE A GREAT DEGREE OF PRECISION WE RECOMMEND THAT THE PRODUCT ITSELF BE USED TO MAKE THE ACTUAL MEASUREMENTS. SONY WILL NOT BE RESPONSIBLE FOR INACCURACIES IN THE DESIGN OR MANUFACTURE OF ENCLOSURES.