

ContourLine  
60cm Microwave Oven

M 6160 TC



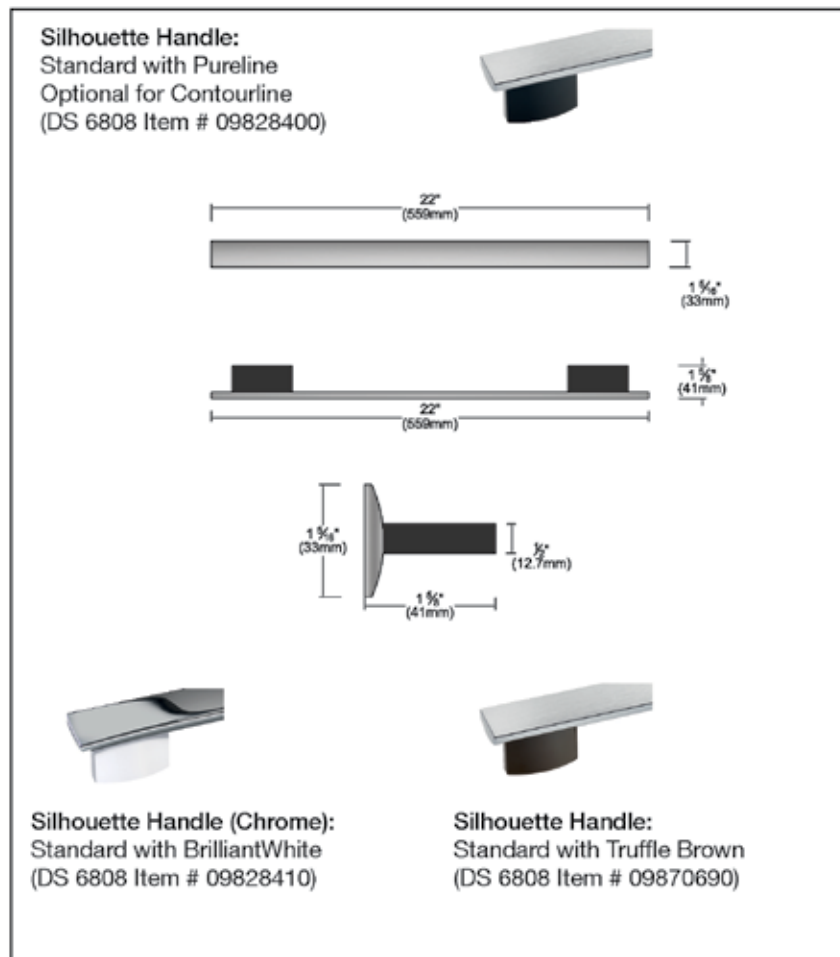
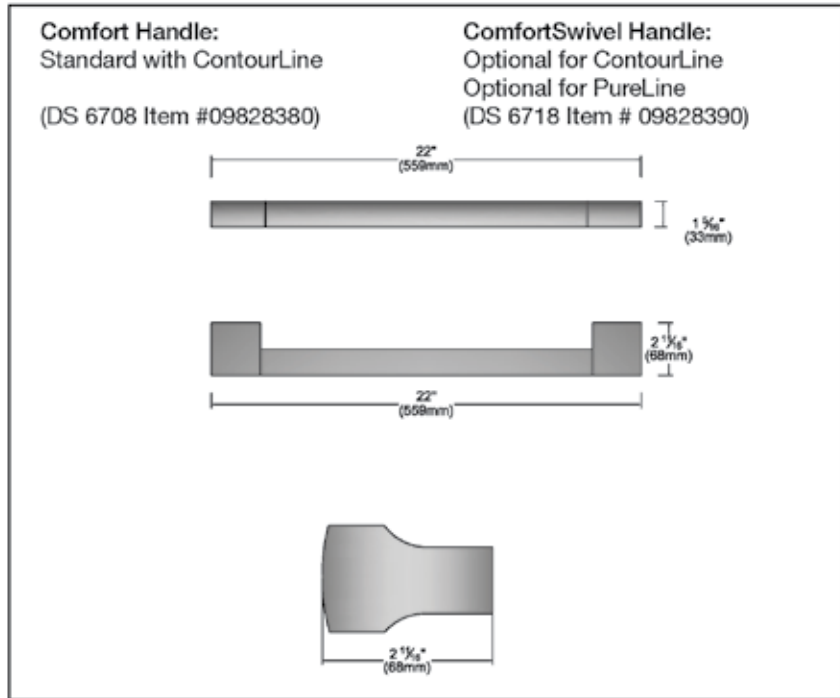
# ContourLine 60cm Microwave Oven M 6160 TC



## M 6160 TC

### Features:

- DirectSelect controls offer turn dial operation with a 7-segment liquid crystal display
- Popcorn button
- 900 watt microwave
- XL cavity — 1.62 cu ft (46 l) with a 15.8" turntable diameter to reheat several plates at one time
- 16 automatic programs
  - 9 for defrosting
  - 3 for cooking frozen food
  - 4 for fresh ingredients
- Minute plus button
- Timer
- LED lighting for the perfect illumination and low maintenance
- Horizontal alignment with other 60cm appliances
- Comfort handle



# ContourLine 60cm Microwave Oven M 6160 TC



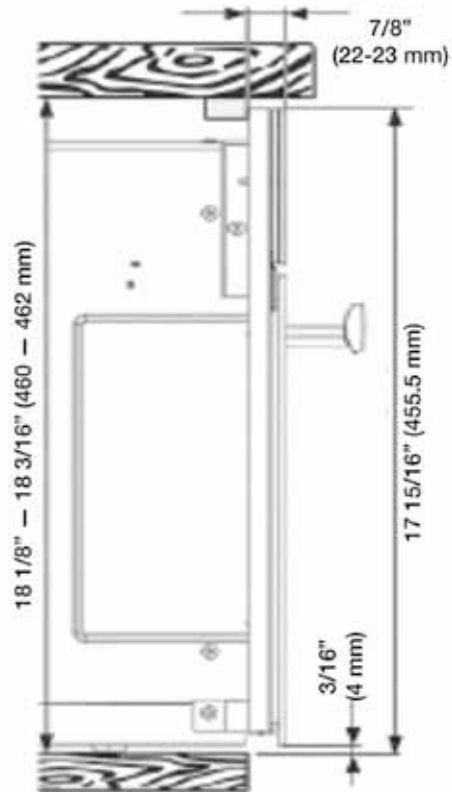
<b>SPECIFICATIONS</b>	
<b>M 6160 TC – Item 24616050USA</b>	
Overall Unit Width - Excluding Fascia Dimension	21" (533mm)
Overall Height - Excluding Fascia Dimension	16 <sup>1</sup> / <sub>4</sub> " (413mm)
Overall Depth - Excluding Fascia Dimension	15 <sup>1</sup> / <sub>4</sub> " (387mm)
Oven Door Clearance	15 <sup>1</sup> / <sub>2</sub> " (394mm)
Overall Oven Interior Capacity	Suitable for plates with a diameter up to 12 <sup>1</sup> / <sub>2</sub> "
Overall Fascia Dimensions	23 <sup>1</sup> / <sub>16</sub> " (586mm) W x 17 <sup>13</sup> / <sub>16</sub> " (452mm) H x 7 <sup>7</sup> / <sub>8</sub> " (22mm) D
Oven Interior Dimensions	13 <sup>1</sup> / <sub>4</sub> " (337mm) W x 8" (203mm) H x 14" (356mm) D
<b>Built-In</b>	
Minimum Cabinet Width	22 <sup>1</sup> / <sub>16</sub> " (560mm)
Minimum Cabinet Depth	19 <sup>11</sup> / <sub>16</sub> " (500mm)
Minimum Height	17 <sup>11</sup> / <sub>16</sub> " + 1 <sup>1</sup> / <sub>8</sub> " Overhang clearance A minimum installation height of 33 <sup>7</sup> / <sub>16</sub> " (850mm) from floor must be maintained.
Minimum Base Support	40 lbs
Additional Cut-outs Required	No
<b>Electrical</b>	
Electrical Requirements	120V 15A 60Hz
Power Cord	Yes - Molded NEMA 5-15 plug, 5 ft. cord
Cut Out for Power Cord	Minimum 3" square
Electrical Rating	120V 13.5A 60Hz
Total Amps	11.4A
<b>Shipping</b>	
Shipping Weight	49 lbs
Shipping Dimensions	25 <sup>7</sup> / <sub>8</sub> " W x 19 <sup>13</sup> / <sub>16</sub> " H x 21 <sup>1</sup> / <sub>8</sub> " L
<b>Support</b>	
Call	800.843.7231
20/20	☎2020technologies.com

# ContourLine 60cm Microwave Oven M 6160 TC

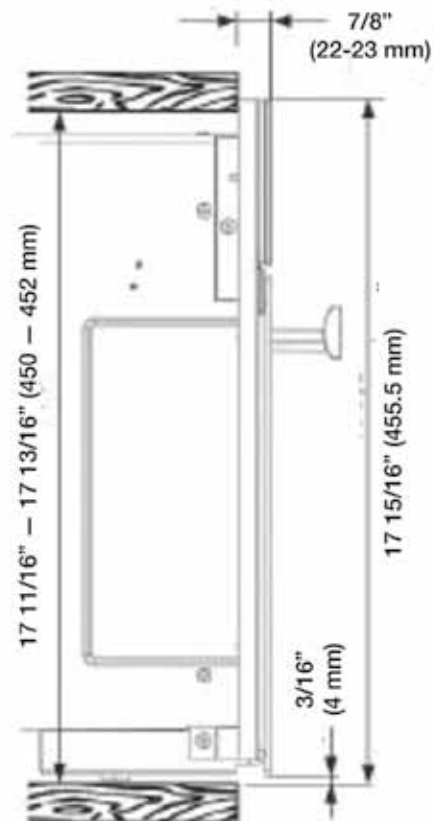


## INSTALLATION SPECIFICATIONS

Side flush



Side proud



# ContourLine 60cm Microwave Oven M 6160 TC



## INSTALLATION SPECIFICATIONS

Install in Tall Cabinet

