

PureLine
30" Convection Oven

H 6280 BP



PureLine 30" Convection Oven H 6280 BP



H 6280 BP

Features:

- DirectSelect controls offer turn dial operation with a 7-segment liquid crystal display
- Self Clean oven
- 8 Operating Modes
- Rapid PreHeat
- CleanGlass Door
- Timer
- TwinPower Fans provide optimum and even distribution of hot air
- Soft Open and Soft Close for an easier handling
- The simple yet sleek Silhouette handle seems to float enhancing its modern design lines.

PureLine 30" Convection Oven H 6280 BP



<p>Comfort Handle: Standard with ContourLine (DS 6708 Item #09828380)</p>	<p>ComfortSwivel Handle: Optional for ContourLine Optional for PureLine (DS 6718 Item # 09828390)</p>
--	--

<p>Comfort Handle standard on H 6180 BP</p>		<p>ComfortSwivel Handle standard on H 6580 BP</p>
---	--	---

Silhouette Handle:
Standard with Pureline
Optional for Contourline
(DS 6808 Item # 09828400)

Silhouette Handle
standard on
H 6280 BP and
H 6680 BP

<p>Silhouette Handle (Chrome): Standard with BrilliantWhite (DS 6808 Item # 09828410)</p>	<p>Silhouette Handle: Standard with Truffle Brown (DS 6808 Item # 09870690)</p>
--	--

PureLine 30" Convection Oven H 6280 BP



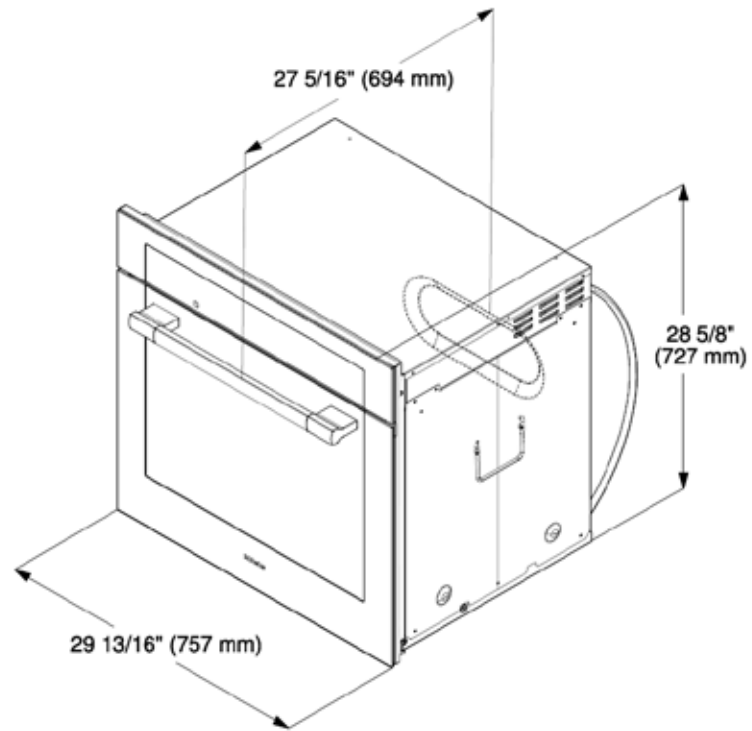
SPECIFICATIONS	
H 6280 BP – Item 22628053USA	
Overall Unit Width - Excluding Fascia Dimension	28 ⁷ / ₁₆ " (722mm)
Overall Height - Excluding Fascia Dimension	27 ³ / ₄ " (705mm)
Overall Unit Depth - Excluding Fascia Dimension	23 ³ / ₄ " (603mm)
Oven Door Clearance	23" (584mm)
Overall Oven Interior Capacity	4.63 cu.ft - 131.24 liters
Overall Fascia Dimensions	29 ¹³ / ₁₆ " (757mm) W x 28 ⁵ / ₈ " (727mm) H x 7 ⁷ / ₈ " (23mm) D
Oven Interior Dimensions	24 ¹ / ₂ " (622mm) W x 16 ⁵ / ₈ " (423mm) H x 18 ¹ / ₄ " (464mm) D
Built-In	
Minimum Cabinet Width	28 ¹ / ₂ " (724mm)
Minimum Cabinet Depth	24" (610mm)
Minimum Cabinet Opening Height	28 ¹ / ₄ " (718mm)
Minimum Base Support	193 lbs
Additional Cut-outs Required	Venting cut-out required at base of cabinet (4" x 28" / 100mm x 720mm) in the bottom of the cabinet for power cord and ventilation
Electrical	
Electrical Requirements	208/240V 30A 60Hz circuit
Power Cord	Yes - NEMA 14-30 plug
Electrical Rating	120/208V, 30A, 60Hz 5800w / 120/240V, 30A, 60Hz 4400w
Total Amps	240V / 24.166A / 208V / 21.15A
Shipping	
Shipping Weight	216 lbs
Shipping Dimensions	32 ¹¹ / ₁₆ " W x 35 ¹ / ₁₆ " H x 30 ⁵ / ₁₆ " L
Support	
Call	800.843.7231
20/20	☎2020technologies.com

PureLine 30" Convection Oven H 6280 BP

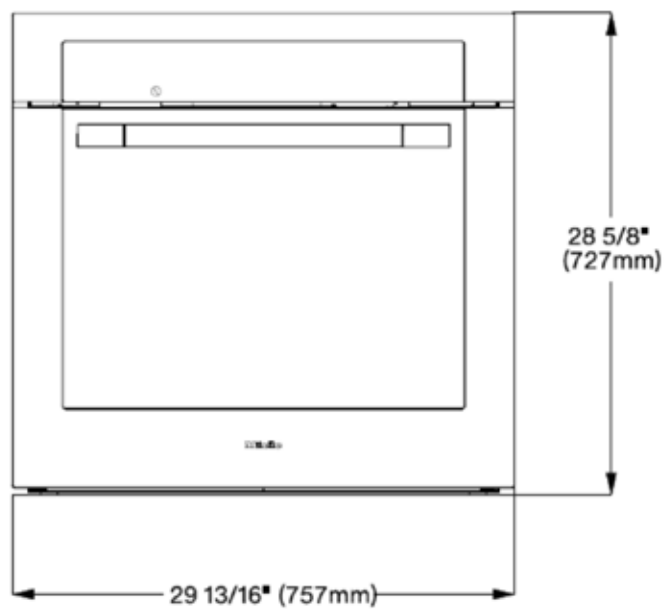


PRODUCT VIEWS

Isometric



Front

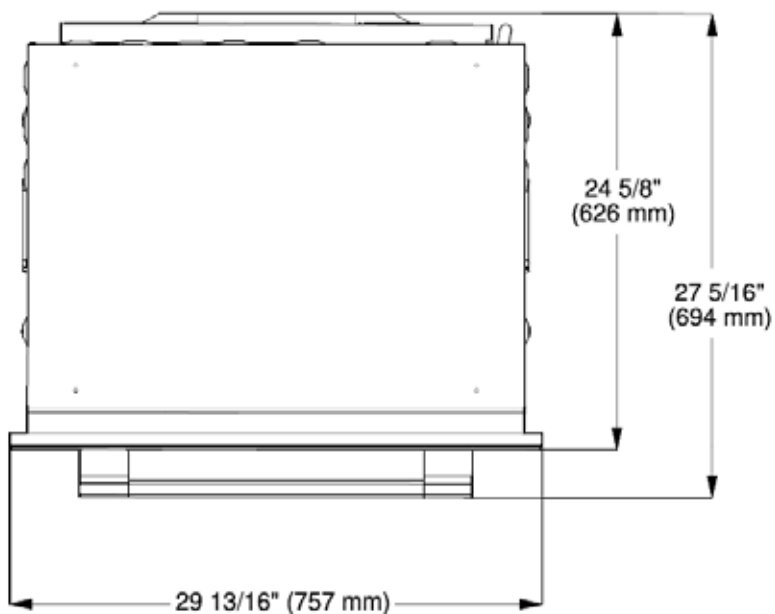


PureLine 30" Convection Oven H 6280 BP

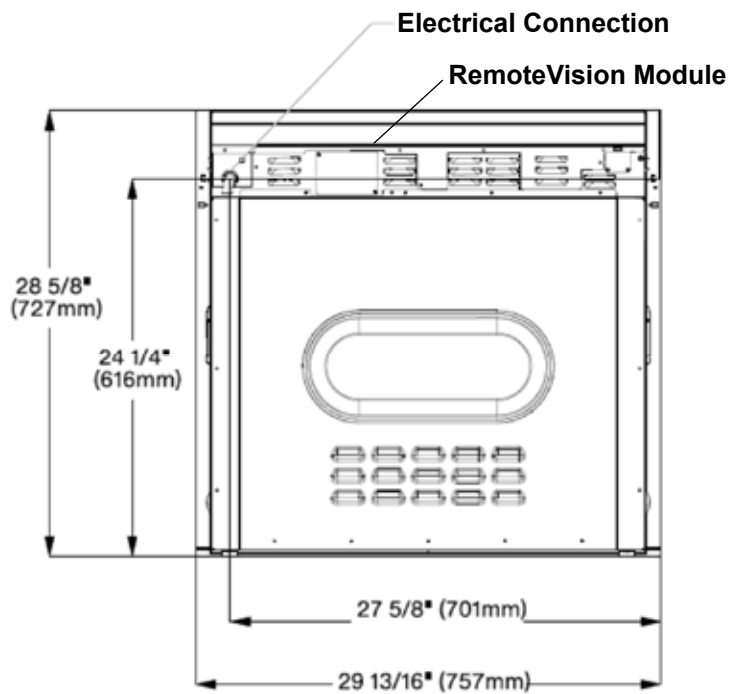


PRODUCT VIEWS

Top View



Rear View

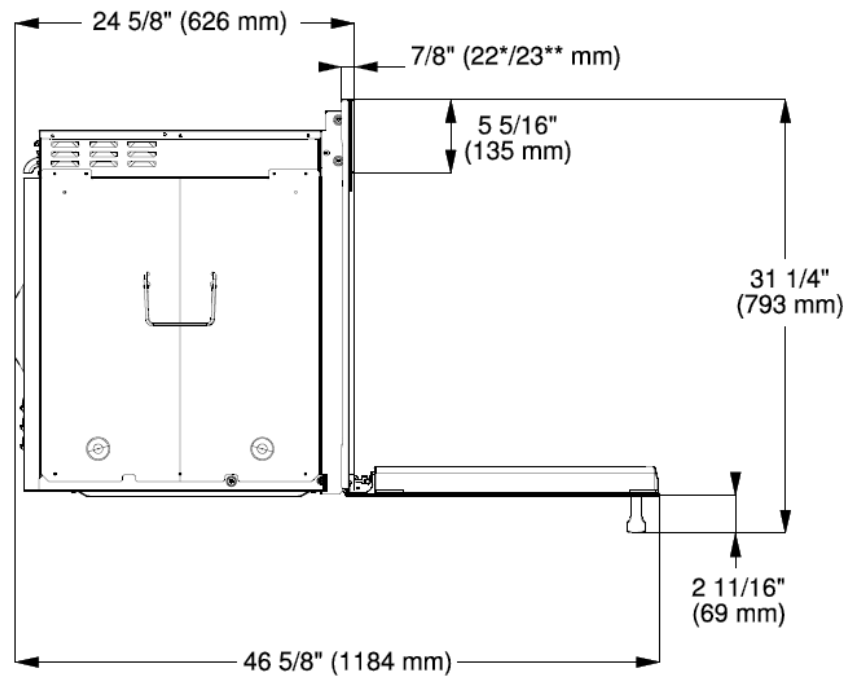


PureLine 30" Convection Oven H 6280 BP



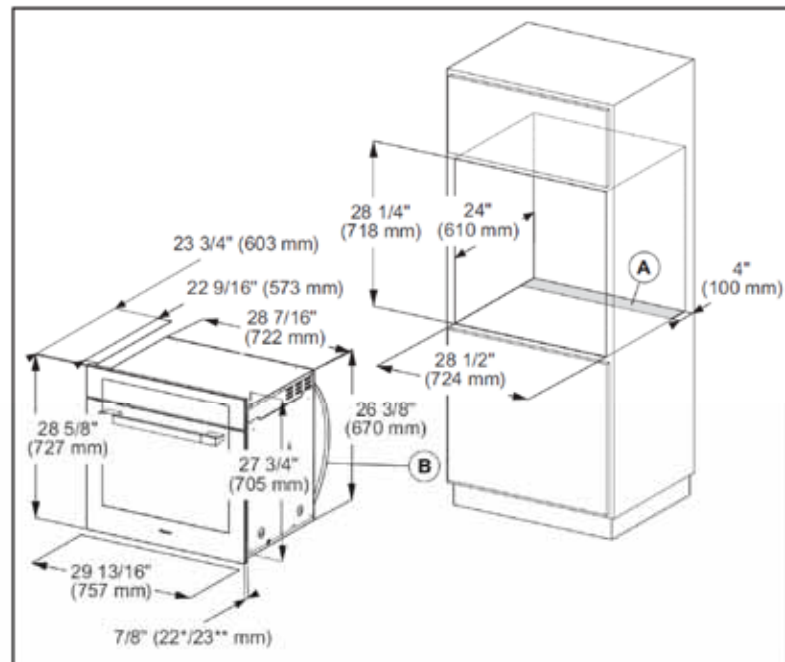
PRODUCT VIEWS

Side View



INSTALLATION SPECIFICATIONS

Install in Tall Cabinet



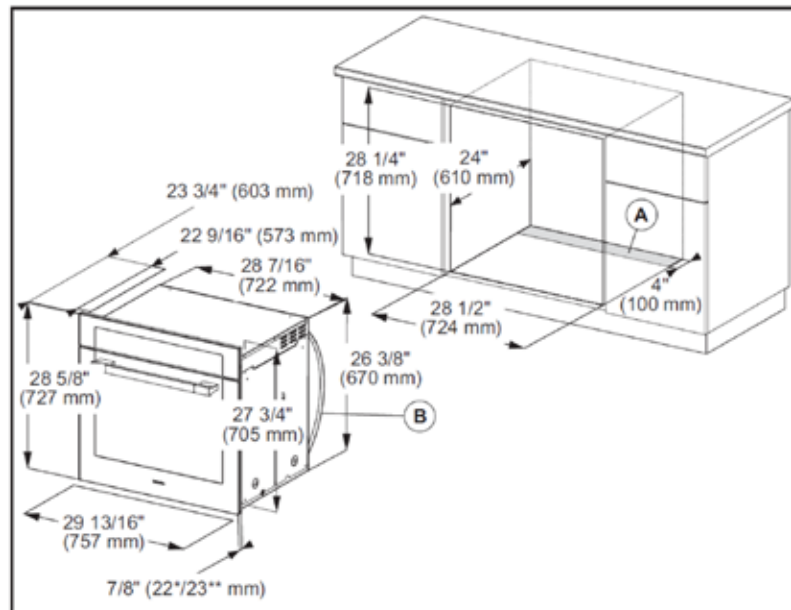
- Ⓐ Cut-out (4" x 28" / 100 mm x 720 mm) in the bottom of the cabinet for power cord and ventilation
- Ⓑ Power cord with plug
- * Oven with glass front
- ** Oven with metal front

PureLine 30" Convection Oven H 6280 BP



INSTALLATION SPECIFICATIONS

Undercounter Installation



Ⓐ Cut-out (4" x 28" / 100 mm x 720 mm) in the bottom of the cabinet for power cord and ventilation

Ⓑ Power cord with plug

* Oven with glass front

** Oven with metal front