

Frigidaire

Factory Parts Catalog

Product No.	FFU2124DW12
Series	134A
Color	white
Volts	115
Wiring Diagram	297010201
Owner's Guide	297080400
Market	North America
Energy Guide	216795105

 **Electrolux**

Electrolux Major Appliances
North & Latin America
P.O. BOX 212378
AUGUSTA, GA 30917

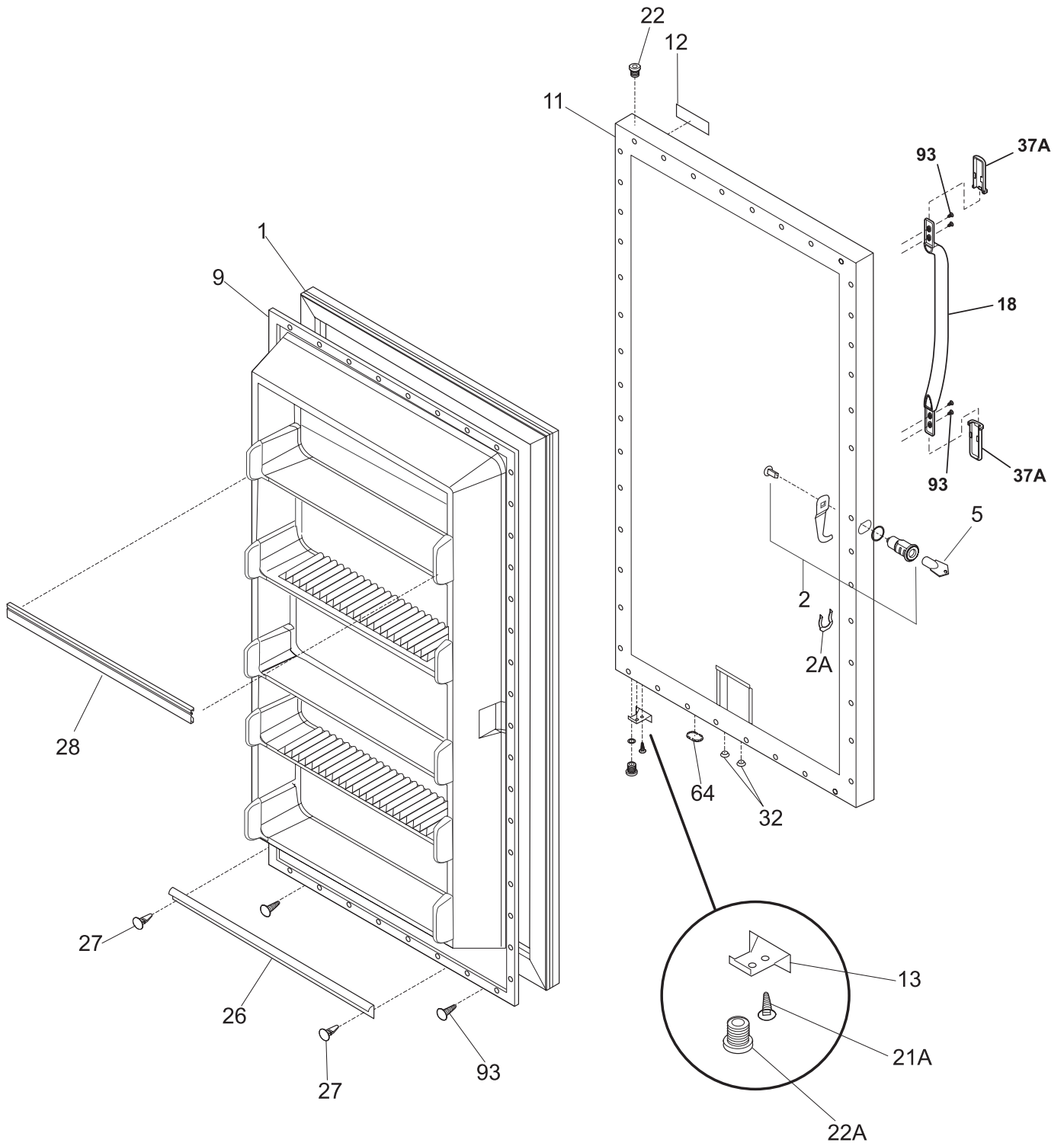
Publication No.
5995506952
08/02/15
(EN/SERVICE/MLR)
365

UPRIGHT FREEZER

Model No.
FFU2124DW

Copyright © 2008 Electrolux Home Products, Inc.
All rights reserved.

DOOR



P08D0504

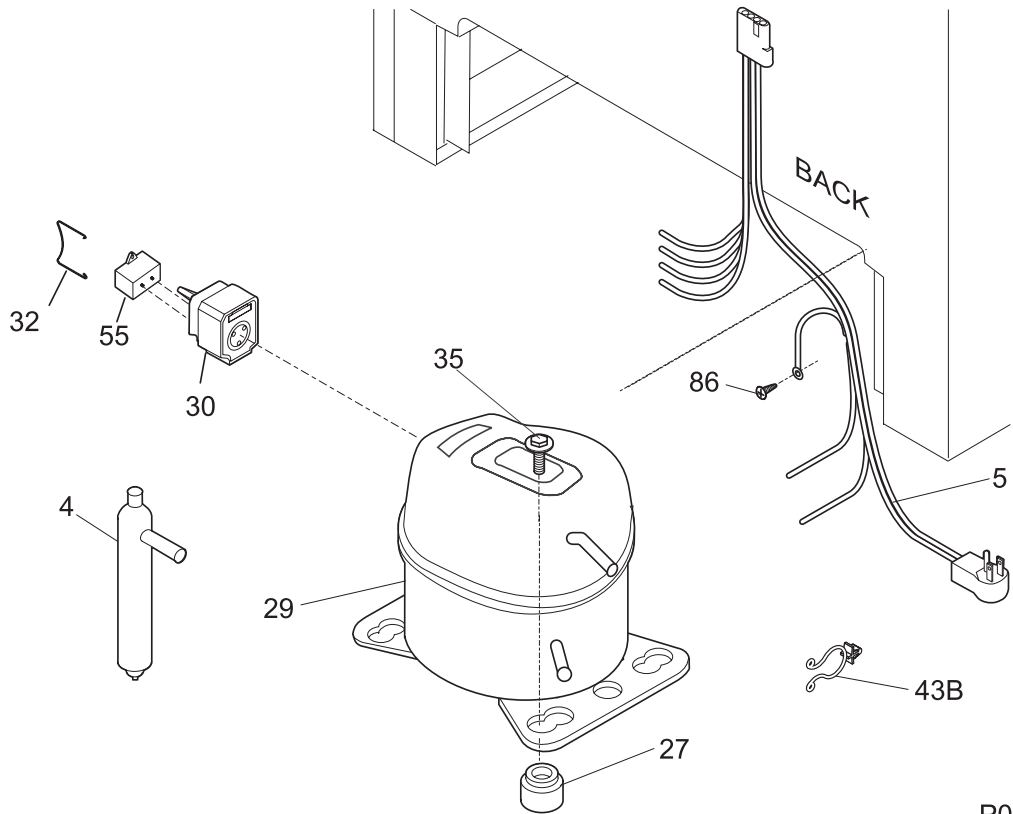
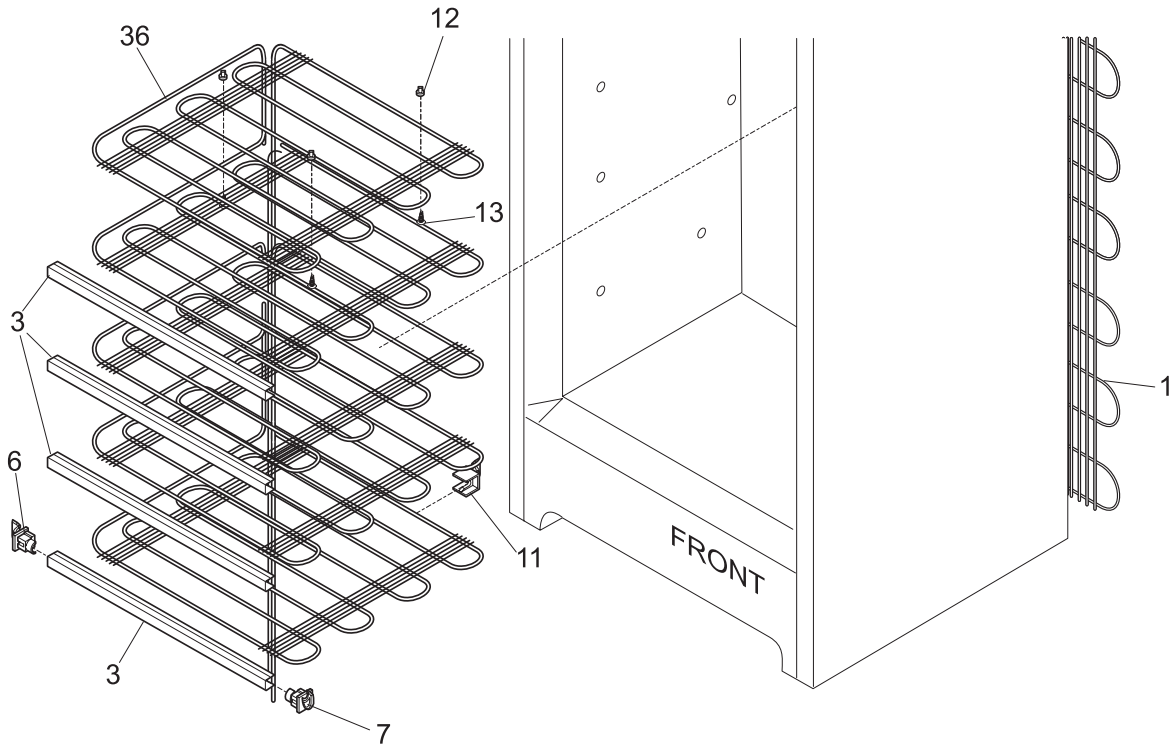
DOOR

POS. NO	PART NO.	DESCRIPTION
1	216522312	Gasket-door, white
2 #	297090000	Lock Assy
2A	297090900	Clip, SPRING
5	297147700	Key, lock
9	216528113	Panel-inner door, frzr
11	216531218	Panel-outer door, white
12	216892802	Nameplate
13	08016354	Door Stop
18	218762701	Handle-door, white
21A	5304464375	Screw, door stop mtg, 4.0 x 0.7-19.7, flat hd, metric
22	216970800	Bearing, hinge w/o'ring, top
22A	297006800	Bearing-hinge, btm, w/o'ring
26	216524200	Gasket, secondary
27	5303212828	Clip, panel mtg
27*	5304406520	Clip, panel mtg kit, (40)
28	216951600	Rack-door, (6)
32	5309950074	Valve, breather
37A	215870619	Trim-handle, 2.47", white, w/chrome band
37A*	218676001	Band-decorative, chrome, handle trim
64	216403700	Plug-button, hole filler, door base
93	5304460605	Screw, ph truss head, 8-18AB x 0.500

CABINET

POS. NO	PART NO.	DESCRIPTION
3	216502600	Plug, drain, interior
6	297200900	Breaker Kit w/corners
7	297201100	Breaker Kit w/corners, lock catch
9	297200100	Breaker Kit w/corners, 32", top and bottom
14	216998000	Switch, light/lamp, ramp
15	216846400	Light Bulb/Lamp
16	216817600	Socket, light/lamp, 25 W
18	216707200	Knob, temp control
20	297013800	Cover-control housing
21 #	216788100	Control-temperature
22	216823500	Clamp, cap tube, cold control
24	5304460604	Screw, type A, 10-24 x 3/8
26	216503300	Ramp, door closer
28	297164500	Hinge-bottom, stepped pin
29	216313502	Hose-drain
32	5308005500	Drain
34	216816200	Shield-light
35	216273000	Clip, drain hose
37	241611301	Trim-cabinet corner, white, (2)
38	297164300	Hinge-upper
41	240578902	Screw, hex head, 1/4-20 x 5/8
59	216157200	Basket
59A	216486500	Stop-basket, (2)
63	216396900	Screw, leveling foot, plastic, adjustable
68	08009560	Glide-basket, (4)
69	5305878546	Bumper-basket, (2)
72	297036900	Grille/Kickplate, 32", white
86	216036601	Screw, RWHD, 8-32A x 0.500, GX-CA
93	5304460605	Screw, ph truss head, 8-18AB x 0.500
132	5304460601	Screw, 6-20AB x 3/8
*	297001704	Insulation, 24", drain tube
*	5303321319	Paint, touch-up, white
*	216795105	Energy Guide

SYSTEM



P08S0473

SYSTEM

POS. NO	PART NO.	DESCRIPTION
1 #	5300083897	Condenser
3	216847806	Trim-shelf, evaporator
4	216987500	Drier-filter
5 #	297173100	Harness-main
6	297001600	Support-shelf, front LH
7	297001500	Support-shelf, front RH
11	216474600	Support-rear shelf
12	216225700	Grommet-spacer
13	216138901	Screw, hex sems, 8-18AB x 1.00, evap
27	5308002681	Grommet, compressor
29 #	5304463417	Compressor Kit
30	297051001	Controller, compressor
32	216954300	Clip, controller
35	297177200	Bolt, compressor, (4)
36 #	297212100	Evaporator, tubing assy, white
43B	297048400	Clip
55	218909913	Capacitor, run, 220 VAC, 15 microfarad
86	216036601	Screw, RWHD, 8-32A x 0.500, GX-CA
*	216502500	Sleeve, suction line
*	297102800	Spacer-tube
* #	297169900	Cord-power, flat