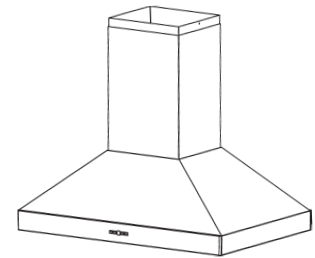


# COLONNE ISLAND IPP9IQ SERIES RANGE HOOD



The traditional island chimney hood design from Italy has stood the test of time. The Colonne Island builds on this legacy with a new powerful design that looks spectacular from any angle, and at the same time, handles the needs of pro-style cooking.

### FEATURES

- Italian design
- Wall mount
- Finishes: 430 Stainless Steel, #4 Brushed
- Width: 42-in. Depth: 30-in.
- Ducted telescopic flue accommodates 8' to 9' ceilings
- 10" round duct connector/backdraft damper
- 2-level halogen lamps, T4, G9, 25-Watt, Qty:4
- Three speed plus boost, electronic pushbuttons with display
- Quiet iQ12 blower system with high-efficiency BLDC motor
- Heat Sentry™ - automatically turns blower to high speed when excess cooking heat is detected
- Delay timer control automatically shuts off range hood after 10 minutes
- Special control indicates when it's time to clean the filter
- Dishwasher-safe, mesh lined, Hi-Flow™ baffle filters
- For indoor use only

### OPTIONS

- Flue extension for 10-ft. to 11-ft. ceilings (ducted Model AEIPP9SB, stainless steel 42-3/4" long)
- Make-up air damper (MD6TU, MD8TU, MD10TU)
- Remote control (ACR2)

### SPECIFICATIONS

VOLTS	AMPS	CFM / SONES (Boost)	CFM / SONES (High Speed)	CFM / SONES (Med. Speed)	CFM / SONES (Low Speed)	DUCT
120	8.4	1100 / 10.5	830	577	330 / 1.0	10" round

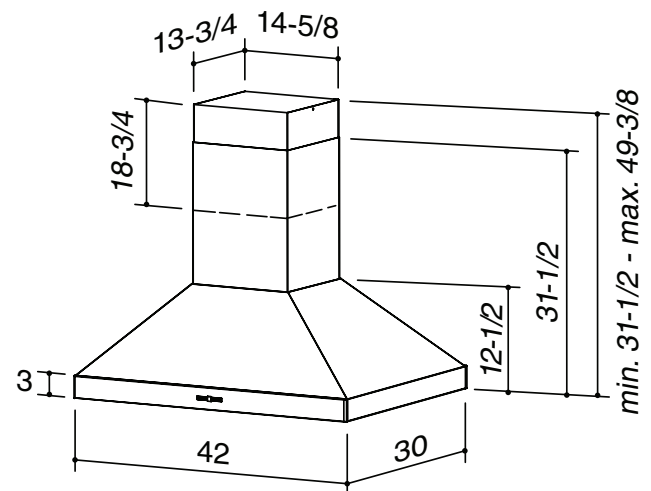


This product was tested by Broan-NuTone for airflow performance using the ANSI/AMCA 210 Standard, which is equivalent to the Home Ventilating Institute HVI 916 - Procedure for Air Flow Testing, and tested for sound performance using the ANSI S12.51 Standard, which is equivalent to the Home Ventilating Institute HVI 915 - Procedure for Loudness Rating of Residential Fan Products.

BEST Hartford, Wisconsin [www.BestRangeHoods.com](http://www.BestRangeHoods.com) 800-558-1711  
 BEST Drummondville, QC, Canada [www.BestRangeHoods.com](http://www.BestRangeHoods.com) 866-737-7770

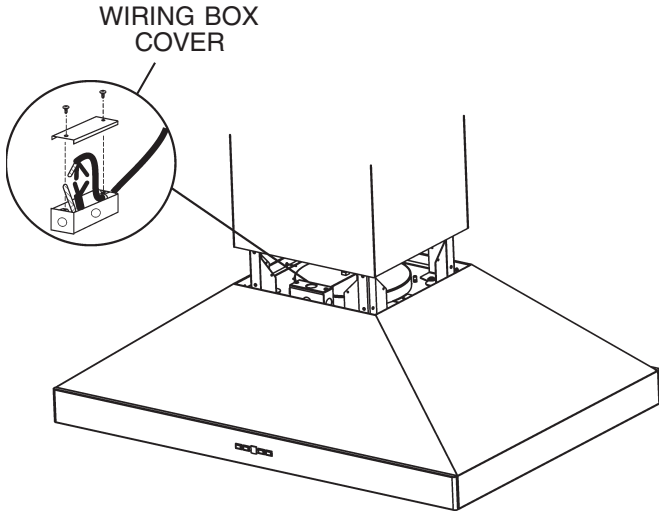
### iQ12 - 1200 CFM Blower System providing:

- Best in class quiet operation.
- Up to 30% faster smoke and odor removal than comparable models.
- Up to 22x more energy efficient than comparable models.
- Guaranteed Performance System (GPS) technology calibrates the hood system to every installation to provide up to 30% more CFM than standard range hoods.
- Using a duct reducer with this hood may prevent the product from calibrating.

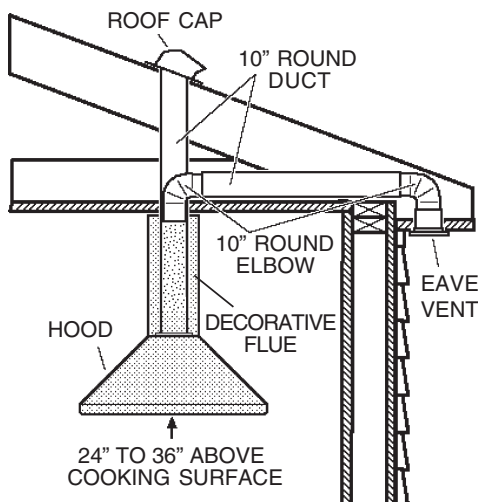


REFERENCE	QTY.	REMARKS	Project
			Location
			Architect
			Engineer
			Contractor
			Submitted by
			Date

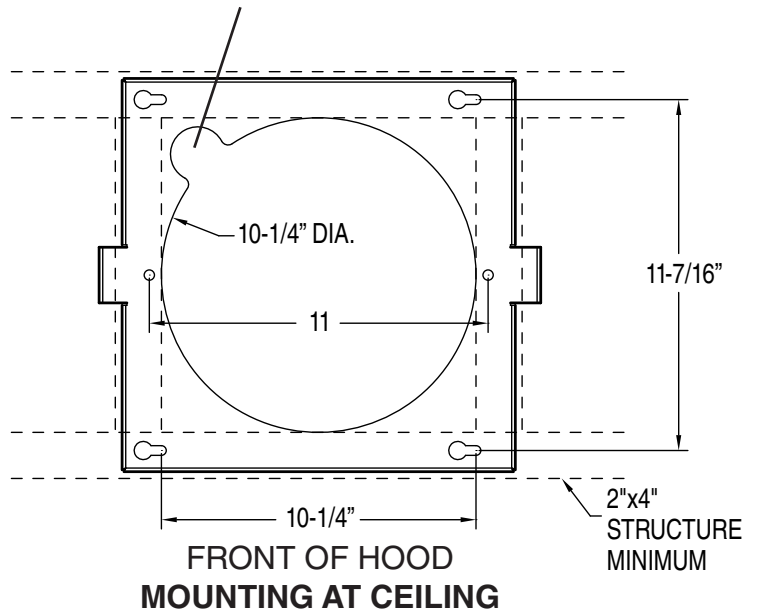
# IPP9IQ SERIES WIRING



# IPP9IQ SERIES MOUNTING



LOCATION FOR INCOMING POWER TO HOOD.  
 PROVIDE 36-IN. OF WIRE FOR 8-FT. TO 9-FT. CEILINGS  
 AND 60-IN. OF WIRE FOR 10-FT. TO 11-FT. CEILINGS.



CEILING HEIGHT	HOOD DISTANCE ABOVE 36" HIGH COOK TOP (see notes below)												
	24"	25"	26"	27"	28"	29"	30"	31"	32"	33"	34"	35"	36"
	ASSEMBLED SUPPORT FRAME HEIGHT (IN.)												
8 FEET	24 <sup>3</sup> / <sub>4</sub> "	23 <sup>3</sup> / <sub>4</sub> "	22 <sup>3</sup> / <sub>4</sub> "	21 <sup>3</sup> / <sub>4</sub> "	---	---	---	---	---	---	---	---	---
9 FEET	---	---	---	33 <sup>3</sup> / <sub>4</sub> "	32 <sup>3</sup> / <sub>4</sub> "	31 <sup>3</sup> / <sub>4</sub> "	30 <sup>3</sup> / <sub>4</sub> "	29 <sup>3</sup> / <sub>4</sub> "	28 <sup>3</sup> / <sub>4</sub> "	27 <sup>3</sup> / <sub>4</sub> "	26 <sup>3</sup> / <sub>4</sub> "	25 <sup>3</sup> / <sub>4</sub> "	24 <sup>3</sup> / <sub>4</sub> "
10 FEET (see note b.)	48 <sup>3</sup> / <sub>4</sub> "	47 <sup>3</sup> / <sub>4</sub> "	46 <sup>3</sup> / <sub>4</sub> "	45 <sup>3</sup> / <sub>4</sub> "	44 <sup>3</sup> / <sub>4</sub> "	43 <sup>3</sup> / <sub>4</sub> "	42 <sup>3</sup> / <sub>4</sub> "	41 <sup>3</sup> / <sub>4</sub> "	40 <sup>3</sup> / <sub>4</sub> "	39 <sup>3</sup> / <sub>4</sub> "	38 <sup>3</sup> / <sub>4</sub> "	---	---
11 FEET (see note b.)	---	---	---	---	56 <sup>3</sup> / <sub>4</sub> "	55 <sup>3</sup> / <sub>4</sub> "	54 <sup>3</sup> / <sub>4</sub> "	53 <sup>3</sup> / <sub>4</sub> "	52 <sup>3</sup> / <sub>4</sub> "	51 <sup>3</sup> / <sub>4</sub> "	50 <sup>3</sup> / <sub>4</sub> "	49 <sup>3</sup> / <sub>4</sub> "	48 <sup>3</sup> / <sub>4</sub> "

--- Mounting height is not possible.

- Minimum hood distance above cook top must not be less than 24". A maximum of 36" above cook top is highly recommended for best capture of cooking impurities. Distances over 36" are at the installer and user's discretion; and if ceiling height and flue length permit.
- Requires optional 10-ft. to 11-ft. flue extension, ducted model AEIPP9SB.

