



Frigidaire

Factory Parts Catalog

Product No.	GLMV169DBA	GLMV169DQA	GLMV169DSA	PLMV169DCA
Market	North America	North America	North America	North America
Color	black	bisque	white	stainless steel
Volts	120	120	120	120
Watts	1000	1000	1000	1000
Wiring Diagram	5995414678	5995414678	5995414678	5995414678
Owner's Guide	316137331	316137331	316137331	316137331
Installation Instructions	316137334	316137334	316137334	316137334

 **Electrolux**

ELECTROLUX HOME PRODUCTS, INC.
P.O. Box 212378, Augusta, GA 30917

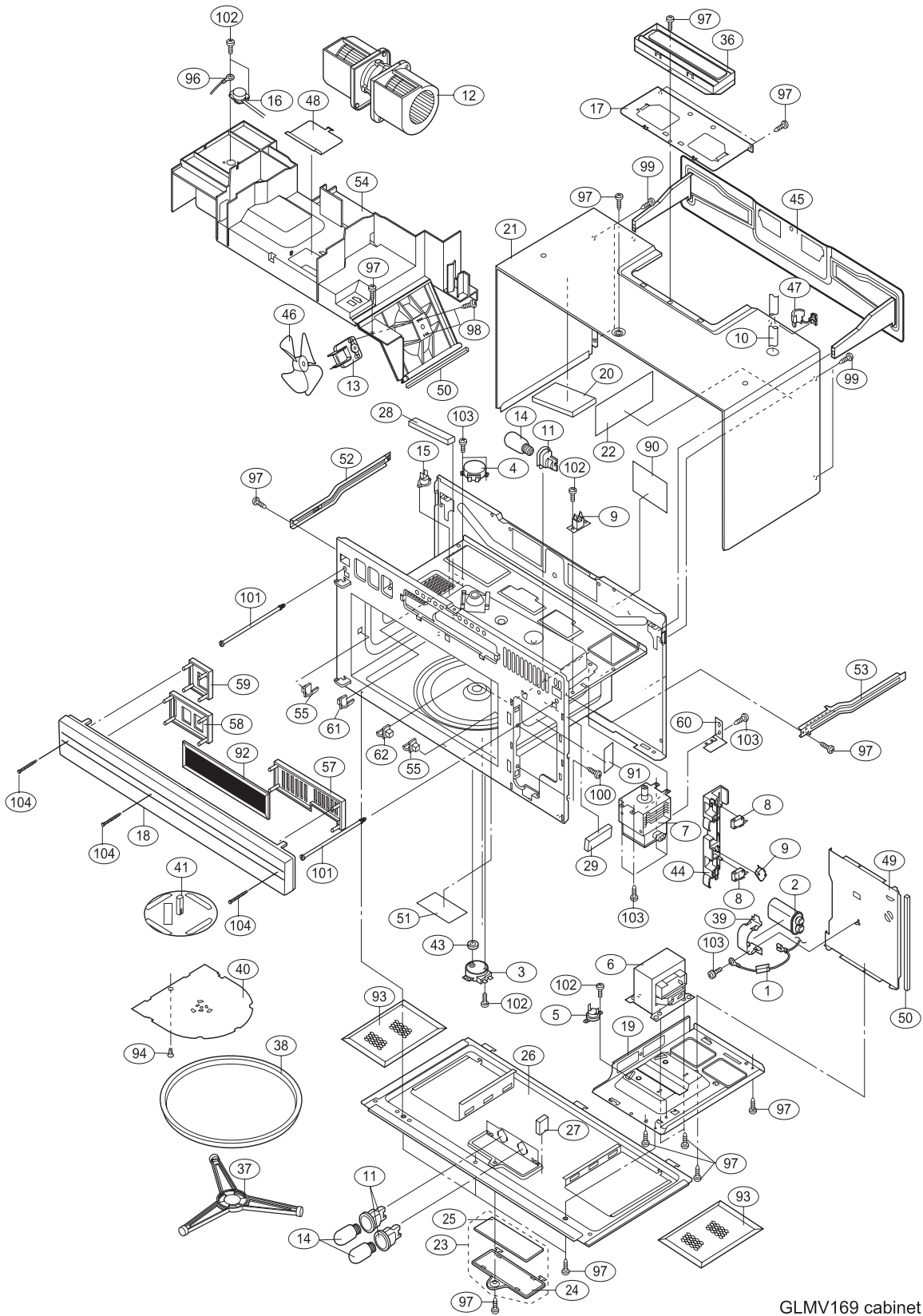
Publication No.
5995414678
04/08/19
(EN/SERVICE/KC)
099

**OVER-RANGE
MICROWAVE**

Model No.
GLMV169D
PLMV169D

Copyright © 2004 Electrolux Home Products, Inc.
All rights reserved.

OVEN, CABINET



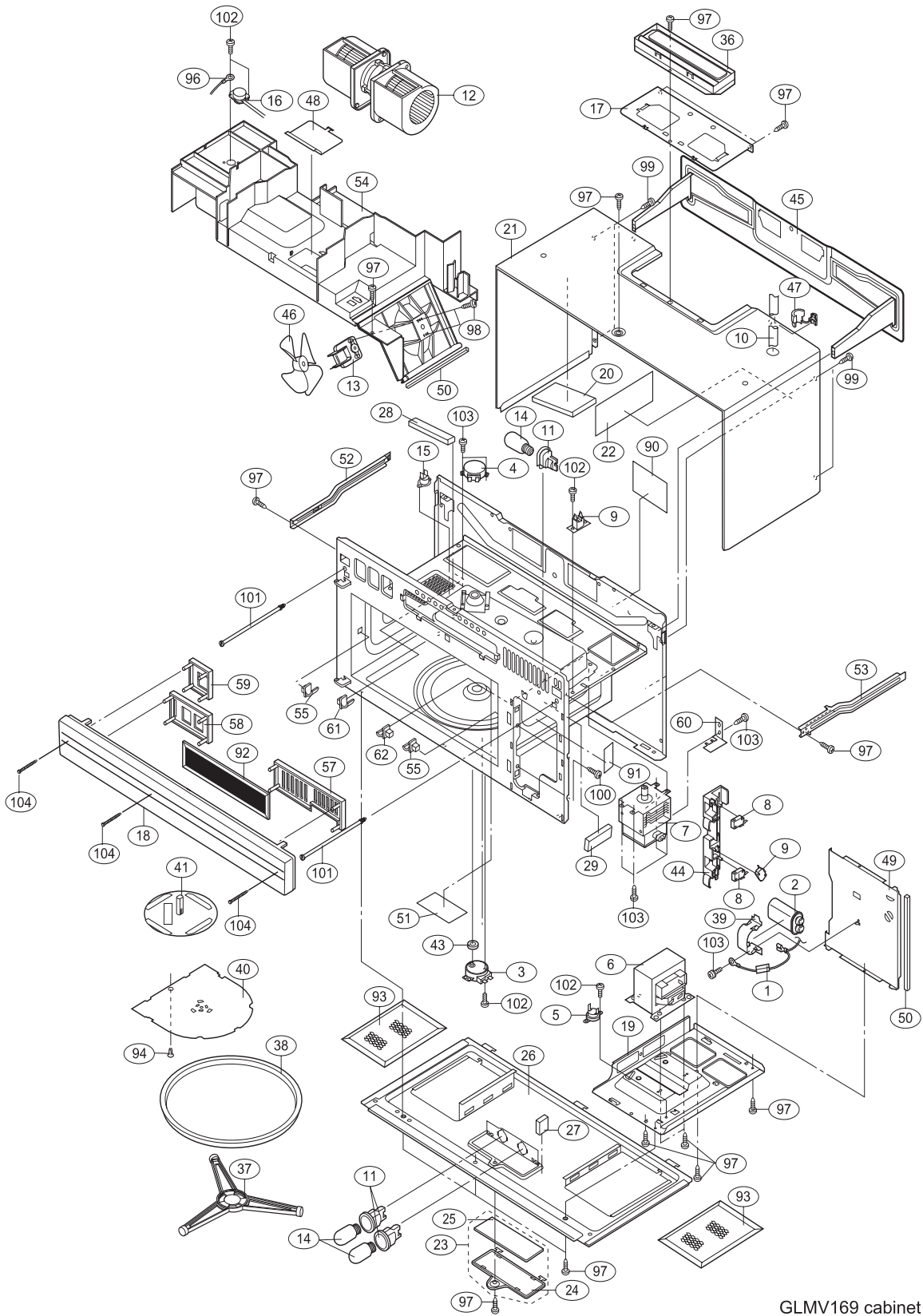
GLMV169 cabinet

OVEN, CABINET

Model Index: A GLMV169D (GLMV169DBA)
 B GLMV169D (GLMV169DOA)
 C GLMV169D (GLMV169DSA)
 D PLMV169D (PLMV169DCA)

POS. NO	PART NO.		DESCRIPTION
1 #	5304440019	A B C D	Rectifier, high voltage
2 #	5303319549	A B C D	Capacitor, high voltage
3 #	5304440021	A B C D	Motor, turntable
4 #	5304440022	A B C D	Motor, stirrer fan
5 #	5304440023	A B C D	Thermal Cutout, hood, N.O.60 deg C
6 #	5304440024	A B C D	Transformer, power
7 #	5304440025	A B C D	Magnetron
8 #	5304440026	A B C D	Relay/Switch Assy, sec. interlock, door sense sw.
9 #	5304440027	A B C D	Switch Kit, monitor, with CT fuse
10 #	5304440028	A B C D	Power Cord, electric
11 #	5303319561	A B C D	Receptacle, lamp socket, oven
12 #	5304440029	A B C D	Motor, hood fan
13 #	5304440030	A B C D	Motor, cooling fan
14	5304440031	A B C D	Lamp, incandescent, 20 W, (3)
15 #	5304440032	A B C D	Thermal Cutout, oven cavity, N.C. 145 deg C
16 #	5304440033	A B C D	Sensor, abs. humidity
17	5304440232	A B C D	Plate, rear stay
18	5304440233	A - - -	Grille, exhaust, black
18	5304440235	- B - -	Grille, exhaust, bisque
18	5304440234	- - C -	Grille, exhaust, white
18	5304442031	- - - D	Grille, exhaust, stainless steel
19	5304440236	A B C D	Base, transformer mtg, right side
20	5304440237	A B C D	Cushion, cabinet
21	5304440238	A - - D	Casing, wrapper, black, outer cabinet
21	5304440240	- B - -	Casing, wrapper, bisque, outer cabinet
21	5304440239	- - C -	Casing, wrapper, white, outer cabinet
22	5304440241	A B C D	Wiring Diagram, schematic
23	5304440242	A B C D	Lens/Frame Assy, oven lamp
24	5304440243	A B C D	Frame, lens holder
25	5303319575	A B C D	Lens, cooktop lamp, glass
26	5304440244	A B C D	Cover, unit base
27	5304441368	A B C D	Cushion, base cover pad
28	5304441369	A B C D	Cushion, cavity top pnl
29	5304441370	A B C D	Cushion, magnetron pad
36	5304440283	A B C D	Damper Assy, exhaust
37	5304440284	A B C D	Support Assy, turntable
38	5304440285	A B C D	Tray, turntable, glass
39	5303319587	A B C D	Retainer, capacitor strap
40	5304440286	A B C D	Cover, stirrer fan
41 #	5304440287	A B C D	Stirrer Assembly
43	5304440288	A B C D	Bushing, motor shaft, turntable
44	5304440289	A B C D	Latch Hook
45	5304440290	A B C D	Bracket, unit mtg plate, rear
46 #	5304440291	A B C D	Fan Blade, mag cooling fan
47	5303319605	A B C D	Bushing, power cord
48	5304440292	A B C D	Cover, oven lamp
49	5304440293	A B C D	Duct, hood intake, right side

OVEN, CABINET



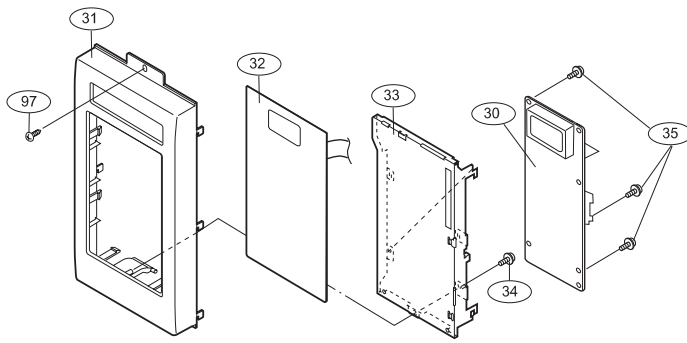
GLMV169 cabinet

OVEN, CABINET

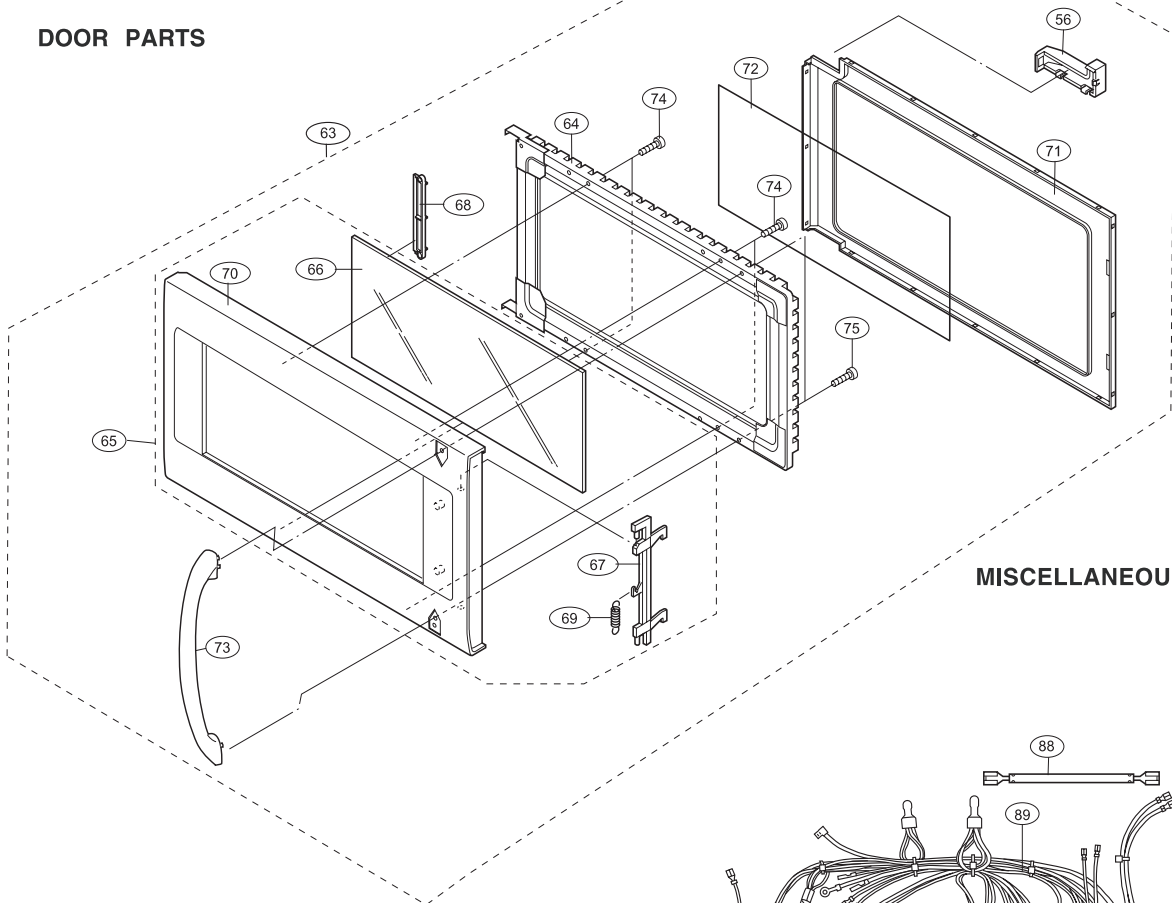
Model Index: A GLMV169D (GLMV169DBA)
 B GLMV169D (GLMV169DOA)
 C GLMV169D (GLMV169DSA)
 D PLMV169D (PLMV169DCA)

POS. NO	PART NO.		DESCRIPTION
50	5304440294	A B C D	Cushion, intake duct
51	5304440295	A B C D	Lens, lamp filter
52	5304440296	A B C D	Support, chassis, left side
53	5304440297	A B C D	Support, chassis, left side
54	5304440298	A B C D	Duct, exhaust hood
55	5304440299	A B C D	Support, rack, front
57	5304440301	A B C D	Cover A, grille louver
58	5304440302	A B C D	Cover B, grille louver
59	5304440303	A B C D	Cover C, grille louver
60	5304440304	A B C D	Bracket, air guide, magnetron
61	5304441371	A B C D	Support, rack, left rear
62	5304441372	A B C D	Support, rack, right rear
90	5304440333	A B C D	Label, Caution-DHHS
91	5304440334	A B C D	Label, Caution-monitor
92	5304440335	A B C D	Filter, inside exhaust, charcoal
93	5304440336	A B C D	Filter, grease
94	5304440337	A B C D	Clip, canoe type, stirrer cover
96 #	5304440339	A B C D	Wire, sensor ground
97	5304440340	A B C D	Screw, 4mm x 12mm
98	5303319637	A B C D	Screw, 4mm x 8mm
99	5303319639	A B C D	Screw, wrapper, back
100	5303319641	A B C D	Screw
101	5304440341	A B C D	Screw, unit mounting
102	5303319633	A B C D	Screw, 3mm x 8mm
103	5303319636	A B C D	Screw
104	5304441378	A - - D	Screw, grille mtg, (2)
104	5304441377	- B C -	Screw, grille mtg, (2)

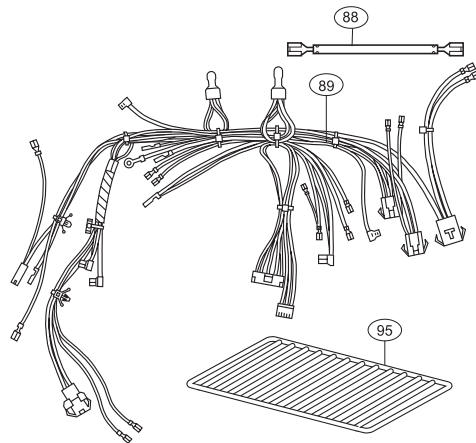
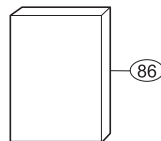
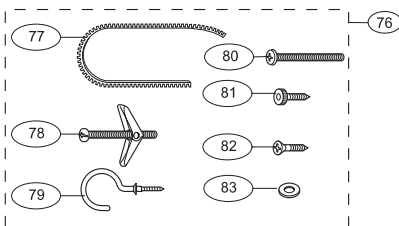
CONTROL PANEL, DOOR, MISC.



DOOR PARTS



MISCELLANEOUS



GLMV169 controls

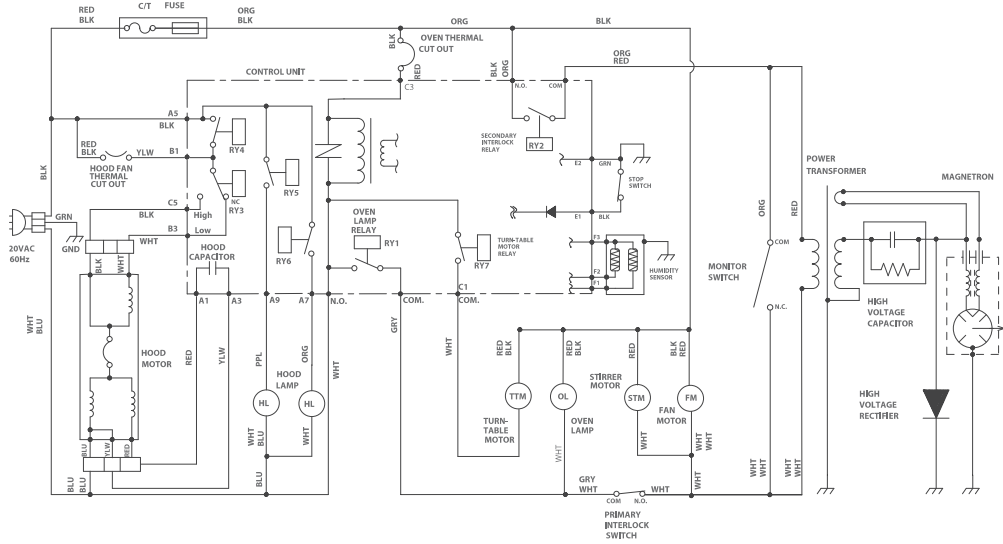
CONTROL PANEL, DOOR, MISC.

Model Index: A GLMV169D (GLMV169DBA)
 B GLMV169D (GLMV169DOA)
 C GLMV169D (GLMV169DSA)
 D PLMV169D (PLMV169DCA)

POS. NO	PART NO.		DESCRIPTION
30 #	5304440245	A B C D	Control Board, printed circuit
31	5304440246	A - - -	Frame, control panel, black
31	5304440247	- B - -	Frame, control panel, bisque
31	5304440248	- - C -	Frame, control panel, white
31	5304442032	- - - D	Frame, control panel, stainless steel
32 #	5304440278	A - - D	Switch, touch pad, membrane, black
32 #	5304440279	- B - -	Switch, touch pad, membrane, bisque
32 #	5304440280	- - C -	Switch, touch pad, membrane, white
33	5304440281	A B C D	Panel, control mount
34	5303319584	A B C D	Screw, control panel, 3mm x 10mm
35	5304440282	A B C D	Screw, control board, 3mm x 10mm
56	5304440300	A B C D	Door Stop
63	5304441374	A - - -	Door Assy, complete, black, with handle
63	5304441376	- B - -	Door Assy, complete, bisque, with handle
63	5304441375	- - C -	Door Assy, complete, white, with handle
63	5304441373	- - - D	Door Assy, complete, stainless steel, with handle
64	5304440305	A - - D	Panel, inner door, black
64	5304440307	- B - -	Panel, inner door, bisque
64	5304440306	- - C -	Panel, inner door, white
65	5304440308	A - - -	Panel Assy, outer door, black, w/glass & latch
65	5304440310	- B - -	Panel Assy, outer door, bisque, w/glass & latch
65	5304440309	- - C -	Panel Assy, outer door, white, w/glass & latch
65		- - - D	STAINLESS PANEL NOT REPLACEABLE-ORDER STAINLESS DOOR ASSY.
66	5304440311	A - - D	Panel, glass, door front
66	5304440313	- B - -	Panel, glass, door front
66	5304440312	- - C -	Panel, glass, door front
67	5304440314	A B C D	Latch, door
68	5304440315	A B C D	Clip, glass retainer, door
69	5304440316	A B C D	Spring, door latch
70	5304440317	A - - -	Frame, outer door, black
70	5304440319	- B - -	Frame, outer door, bisque
70	5304440318	- - C -	Frame, outer door, white
70		- - - D	STAINLESS PANEL NOT REPLACEABLE-ORDER STAINLESS DOOR ASSY.
71	5304440320	A B C D	Frame, choke cover, inner door
72	5304440321	A B C D	Seal, door, film
73	5304440323	A - - -	Handle, door, black
73	5304440325	- B - -	Handle, door, bisque
73	5304440324	- - C -	Handle, door, white
73	5304440322	- - - D	Handle, door, stainless steel
74	5303319634	A B C D	Screw, 4mm x 8mm
75	5304440326	A B C D	Screw, 4mm x 12mm
76	5303319625	A B C D	Hardware, installation, kit
77	5303318761	A B C D	Sleeve, power cord, grommet
78	5303318762	A B C D	Screw, toggle
79	5303322979	A B C D	Hook, screw-in, cord holder
80	5303318764	A B C D	Screw, 5mm x 60mm
81	5303318767	A B C D	Screw, 4mm x 12mm
82	5303318765	A B C D	Screw, wood, 5mm x 35 mm, (6)
83	5303318766	A B C D	Washer, flat, 30mm, (2)
86	5304440329	A B C D	Template, installation, top
86	5304440330	A B C D	Template, installation, wall
88 #	5304440331	A B C D	Wire, high voltage-A
89 #	5304440332	A B C D	Wiring Harness, main-A
95	5304440338	A B C D	Rack, microwave oven, wire
97	5304440340	A B C D	Screw, 4mm x 12mm

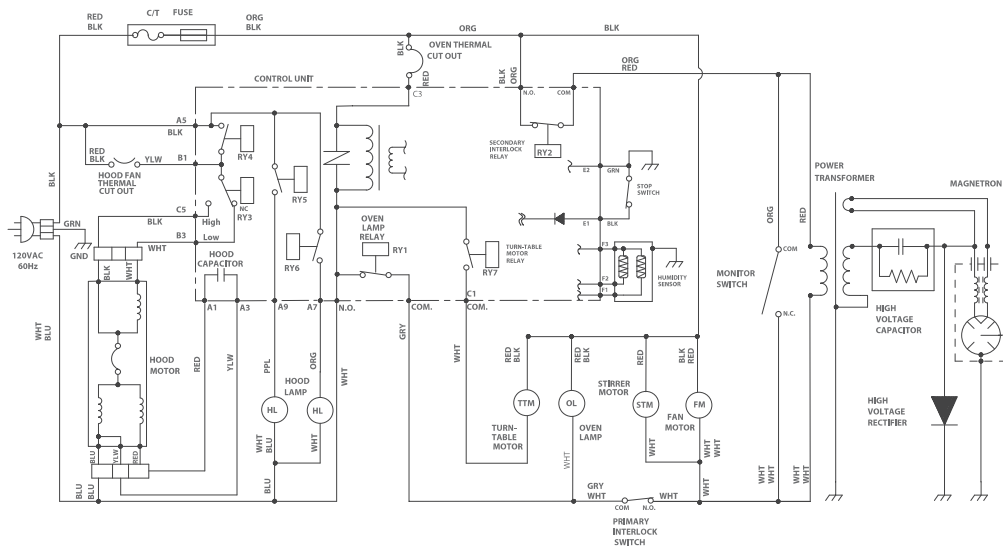
WIRING SCHEMATIC

SCHEMATIC
 NOTE: CONDITION OF OVEN
 1. DOOR CLOSED
 2. CLOCK APPEARS ON DISPLAY



Oven Schematic-Off Condition

SCHEMATIC
 NOTE: CONDITION OF OVEN
 1. DOOR CLOSED
 2. COOKING TIME PROGRAMMED
 3. VARIABLE COOKING CONTROL "HIGH"
 4. "START" PAD TOUCHED



GLMV169 wiring schematic

Oven Schematic-Cooking Condition