

# LIFT50 product information sheet



Raise your TV to fit your life! The LIFT50 allows you to raise or lower your TV to the ideal position for watching movies, gaming, exercising and more. The LIFT50 is equipped with Ergotron's patented Constant Force technology, providing fluid, light-touch adjustments for tilt and vertical movement. LIFT50 remains virtually hidden as TV glides up and down. Sit. Stand. Stretch. Play – all at the perfect height and angle.

## Product Benefits\*

- Position your TV at the perfect height
- Raise it for standing activities like gaming
- Patented Constant Force technology requires only a light touch to move
- Ideal for many TV activities
- Tilt your TV to reduce glare
- Discreet mounting hardware disappears behind the TV
- Low profile keeps TV close to the wall
- Lift n' Lock™ enables secure, easy 3-step installation
- Mounting template included
- Easy single-stud mounting
- Includes complete hardware kit for easy installation

## Product Specifications\*

**Fits most:** 40–50" TVs based on TV weight

**Supports:** 30–50 lbs (13.6–22.7 kg)

**Tilts:** 0° to +10°

**Mounting profile:** 2.6" (6.5 cm)

**Vertical movement:** 16" (40.6 cm)

**VESA compliance:** 200x200 to 400x400

**Mounting:** Single-stud or solid wall

**Warranty:** 5 years

**Color:** Black



## Series



LIFT30



LIFT30X



LIFT50



LIFT70



Lift or lower your TV a full 16" (40.6 cm) for the perfect picture every time.

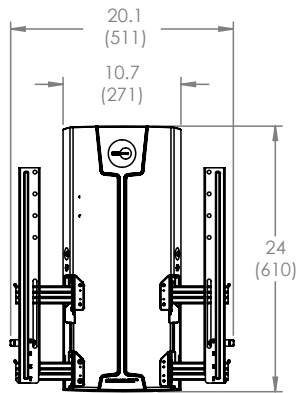
\*Subject to change

**800.MOUNT.IT (800.668.6848)**

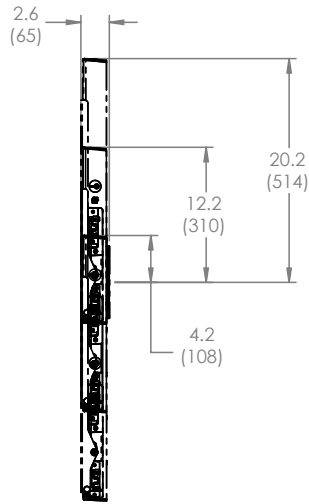


08052013

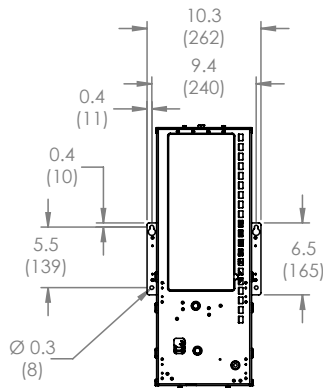
# LIFT50 technical data sheet



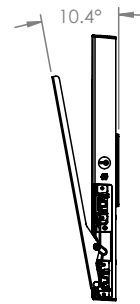
FRONT VIEW



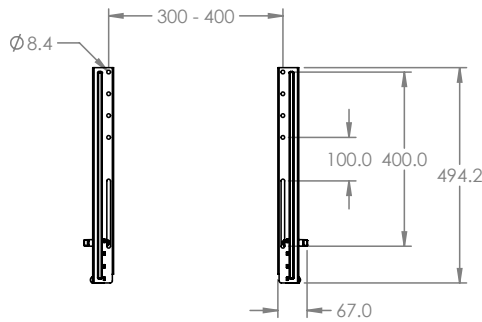
SIDE VIEW



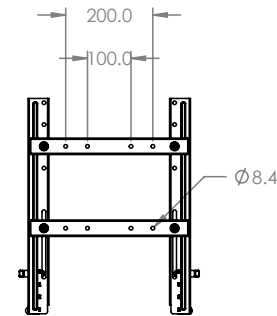
WALL MOUNTING



TILT RANGE



VESA BRACKETS (mm)



VESA BRACKETS (mm)  
WITH ADAPTERS

inches (mm)



	Packaging UPC	MC UPC
Americas	698833039726	10698833039723
International	698833039726	10698833039723

	Dimensions WxDxH Inches (mm)	Wt lbs (kg)	Qty
Box	29 x 4 x 20.7 (737x102x525)	36.4 (16.5)	NA
MC	30.3 x 4.3 x 21.3 (770x110x540)	36.4 (16.5)	1

Box Contents	Qty
Vertical rail	2
Horizontal rail	4
Tilt tension knob	2
Lift assembly	1

Box Contents	Qty
Wall template	1
200mm x 200mm adapter	2
Instruction manual	1
Complete hardware kit	1

