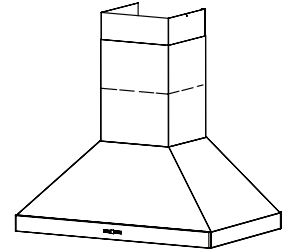


COLONNE WPP9E SERIES RANGE HOOD



The traditional chimney hood design from Italy has stood the test of time. The Colonne builds on this legacy with a new powerful design that can handle the needs of pro-style cooking.

FEATURES

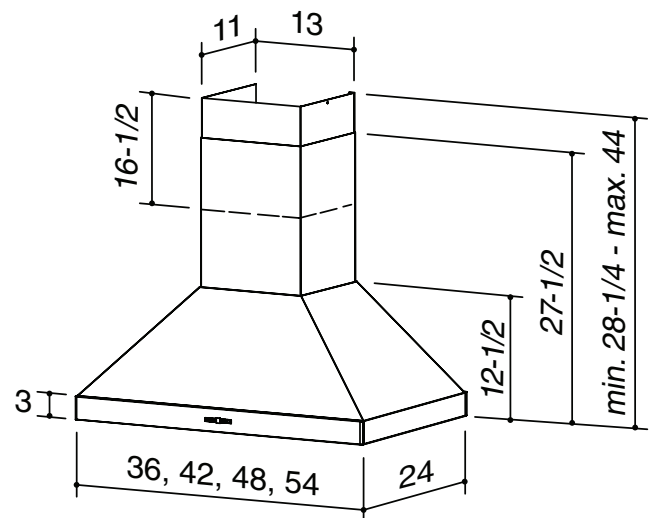
- Italian design
- Wall mount
- Finishes: 430 Stainless Steel, #4 Brushed
- Widths: 36", 42", 48", 54"
- Telescopic flue accommodates 8' to 9' ceilings
- 10" round duct connector/backdraft damper
- 2-level halogen lamps, T4, G9, 25 Watt (3 lamps on 36" & 42" widths, 4 lamps on 48" & 54" widths)
- Use with exterior-mounted or in-line remote blowers for different levels of exhaust capacity (see specifications - blower purchased separately)
- Heat Sentry™ - automatically turns blower to high speed when excess cooking heat is detected
- Delay timer control automatically shuts off range hood after 10 minutes
- Special control indicates when it's time to clean the filter
- Dishwasher-safe, mesh lined, Hi-Flow™ baffle filters
- For indoor use only

OPTIONS

- 8-in. to 10-in. transition (Model 414)
- Flue extension for 10-ft. to 11-ft. ceilings (Model AEWPP9SB, stainless steel)

SPECIFICATIONS

WITH OPTIONAL BLOWER MODELS		BLOWER CFM	VOLTS	AMPS	DUCT
EB6	wall or roof mount external blowers	600 max.	120	0.63 (36", 42")	10-in. round at the hood. See blower specs for duct requirements.
EB9		900 max.			
EB12		1200 max.		0.84 (48", 54")	
EB15		1500 max.			
ILB3	inline blowers	280 max.		(lights only) + 6.0 max. (blower only)	
ILB6		600 max.			
ILB9		800 max.			
ILB11		1100 max.			

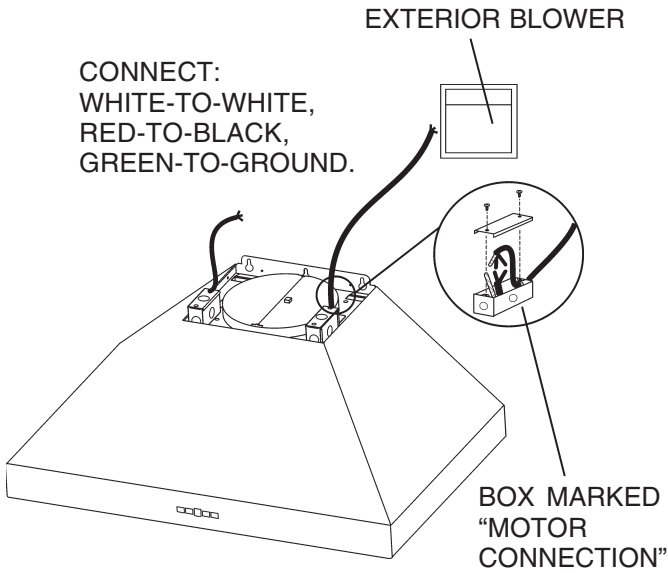


BEST Hartford, Wisconsin www.BestRangeHoods.com 800-558-1711
BEST Drummondville, QC, Canada www.BestRangeHoods.com 866-737-7770

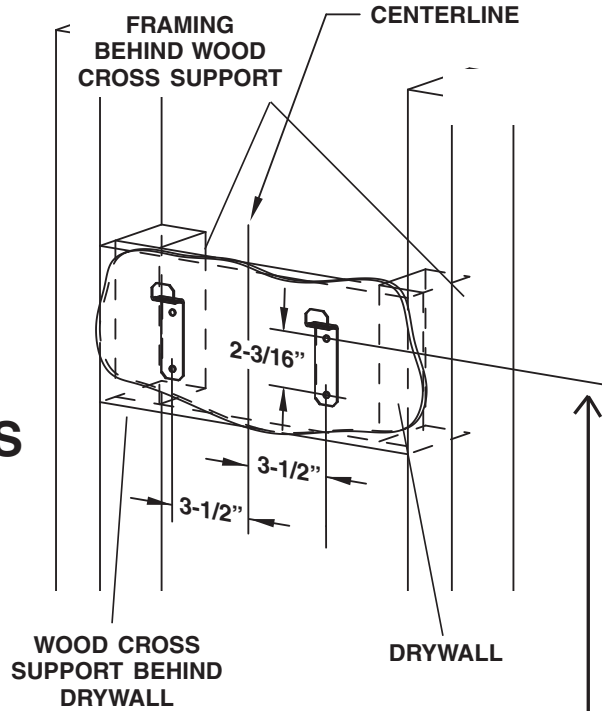
REFERENCE	QTY.	REMARKS	Project
			Location
			Architect
			Engineer
			Contractor
			Submitted by Date

WPP9E SERIES WIRING

BLOWER CONNECTION AT HOOD



WPP9E SERIES MOUNTING



CEILING HEIGHT	DUCT METHOD	HOOD DISTANCE ABOVE 36" HIGH COOK TOP (see note below)													
		24"	25"	26"	27"	28"	29"	30"	31"	32"	33"	34"	35"	36"	
		MOUNTING BRACKET CENTER HOLE LOCATION ABOVE 36" HIGH COOK TOP													
8 FEET	DUCTED	44 1/4"	45 1/4"	46 1/4"	47 1/4"	48 1/4"	49 1/4"	50 1/4"	51 1/4"	52 1/4"	53 1/4"	54 1/4"	55 1/4"	56 1/4"	
9 FEET	DUCTED							50 1/4"	51 1/4"	52 1/4"	53 1/4"	54 1/4"	55 1/4"	56 1/4"	
10 FEET (see note b.)	DUCTED	44 1/4"	45 1/4"	46 1/4"	47 1/4"	48 1/4"	49 1/4"	50 1/4"	51 1/4"	52 1/4"	53 1/4"				
11 FEET (see notes a. & b.)	DUCTED										52 1/4"	53 1/4"	54 1/4"	55 1/4"	56 1/4"

- Minimum hood distance above cook top must not be less than 24". A maximum of 30" above cook top is highly recommended for best capture of cooking impurities. Distances over 30" are at the installer and user's discretion; and if ceiling height and flue length permit.
- Requires optional 10-ft. to 11-ft. flue extension, ducted model AEWPP9SB.