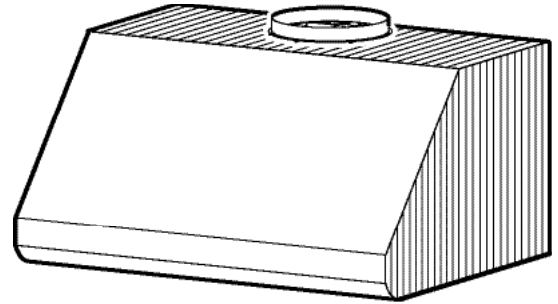


WPD38I SERIES RANGE HOOD



Especially designed to be installed outdoors in a covered patio or lanai area. For use over residential commercial-style cooking surfaces or gas and electric grills. This unit is not for use with a charcoal grill. A complete installation requires several optional components. Refer to page 2 when planning your installation.

FEATURES

- Professional outdoor design.
- 27-inch depth handles heat and size of outdoor grilles (optional 3" wall extension to increase depth to 30").
- Brushed corrosion resistant 304 Stainless Steel.
- Three widths: 36, 48, and 60 inches.
- Powerful, SuperPro 1200™ internal blower - tested to assure operation in corrosive environments.
- Bright halogen lighting (2 x 50 watt GU10 for 36-in. hood, 3 x 50 watt GU10 for 48-in. & 60-in. hoods) (bulbs included).
- 4-speed rotary control - tested to assure operation in corrosive environments.
- 304 Stainless Steel baffle filters - easily accessible and dishwasher-safe.
- Removable grease tray - easy to clean.
- Heat Sentry™ detects excessive heat and adjusts blower speed automatically.
- UL Listed for use in damp locations when properly connected to a GFCI circuit.

SPECIFICATIONS

| VOLTS | HZ | AMPS | CFM | SONES | DUCT |
|-------|----|----------|------|-------|--------------|
| 120 | 60 | 9.0 MAX. | 1160 | 11.0 | 10-in. ROUND |



HVI-2100 CERTIFIED RATINGS comply with new testing technologies and procedures prescribed by the Home Ventilating Institute, for off-the-shelf products, as they are available to consumers. Product performance is rated at 0.1 in. static pressure, based on tests conducted in a state-of-the-art test laboratory. Sones are a measure of humanly-perceived loudness, based on laboratory measurements.

WALL EXTENSION (optional)

- Extends front of hood out an extra 3" (to 30") - eliminates custom wall bump-outs.
- Stainless Steel construction - matches range hood.
- Attaches to wall and back of range hood.

Model AWWPD336SB - 36-in. width
 Model AWWPD348SB - 48-in. width
 Model AWWPD360SB - 60-in. width

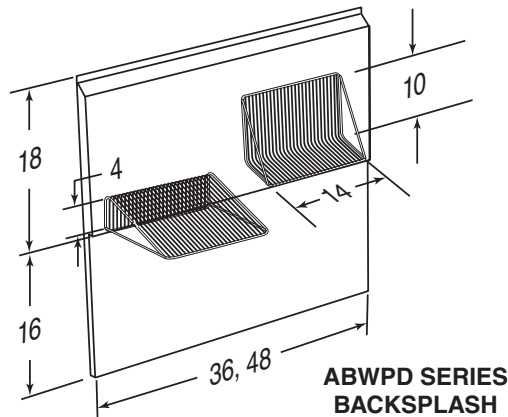
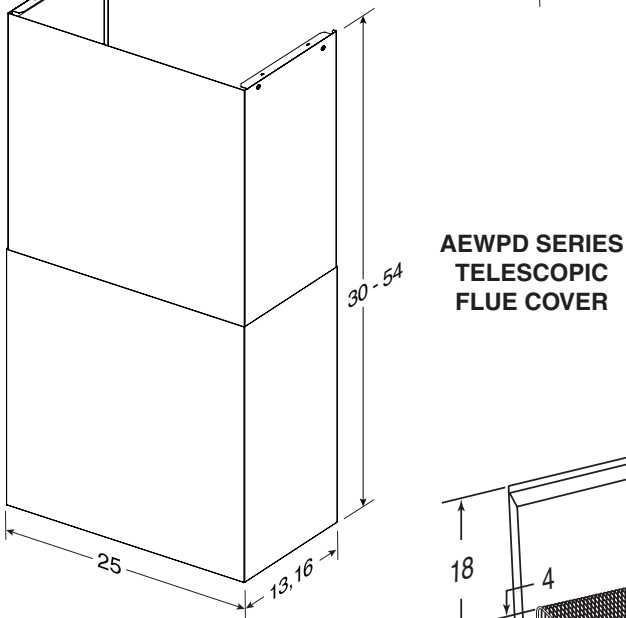
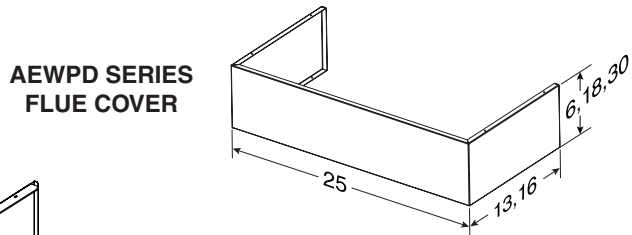
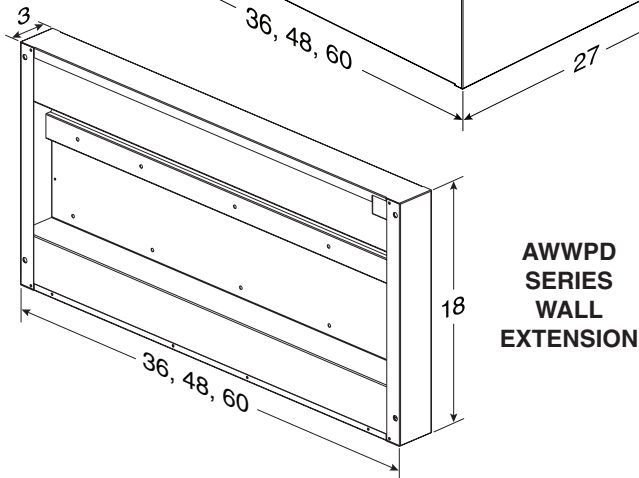
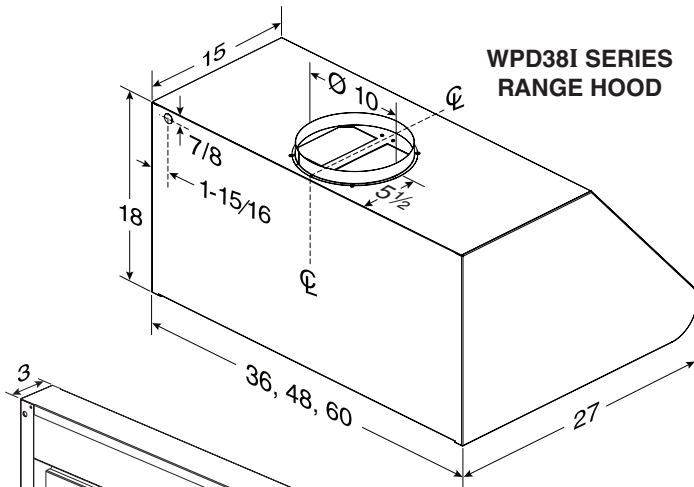
FLUE COVER (optional)

- Stainless Steel construction - matches range hood.
- Attaches to top of range hood shell.
- Hides ducting and wipes clean easily.
- Extended depth available for hoods using the 3" wall extension.

Model AEWPD36SB - 6-in. high - for 8-ft. ceiling - standard depth
 Model AEWPD36SBE - 6-in. high - for 8-ft. ceiling - extended depth
 Model AEWPD318SB - 18-in. high - for 9-ft. ceiling - standard depth
 Model AEWPD318SBE - 18-in. high - for 9-ft. ceiling - extended depth
 Model AEWPD330SB - 30-in. high - for 10-ft. ceiling - standard depth
 Model AEWPD330SBE - 30-in. high - for 10-ft. ceiling - extended depth
 Model AEWPD3054SB - collapsed height: 30" - maximum height 54" - standard depth
 Model AEWPD3054SBE - collapsed height: 30" - maximum height 54" - extended depth

BEST Hartford, Wisconsin www.BestRangeHoods.com 800-558-1711
 BEST Drummondville, QC, Canada www.BestRangeHoods.com 866-737-7770

| REFERENCE | QTY. | REMARKS | Project |
|-----------|------|---------|--|
| | | | Location |
| | | | Architect |
| | | | Engineer |
| | | | Contractor |
| | | | Submitted by Date |

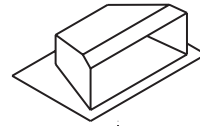


WPD38I SERIES HOOD SYSTEM

Model 441
10" ROUND WALL CAP



Model 437
HIGH CAPACITY ROOF CAP



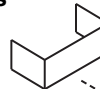
Model 418
10" ROUND ADJUSTABLE ELBOW (Optional)



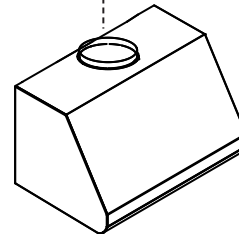
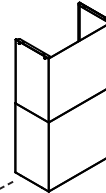
Model 410
10" ROUND DUCT (2 ft. sections)



AEWPD Series DECORATIVE FLUE (Optional)



AEWPD Series TELESCOPIC FLUE COVER (Optional)



ABWPD Series BACKSPASH

