



1-1. Safety precaution

▲ WARNING

To prevent injuries or a fire, take the following precautions:

- Stop the car before operating the unit.
- To prevent a short circuit, never put or leave any metallic objects (such as coins or metal tools) inside the unit.

⚠ CAUTION

- Adjust the volume so that you can hear the sound outside the car. Driving with the volume too high may cause an accident.
- Wipe off the dirt on the panel with a dry silicon or soft cloth.
Failure to observe this precaution may result in damage to the monitor or unit.
- If you experience problems during installation, consult your Kenwood dealer.



1-2. Important information

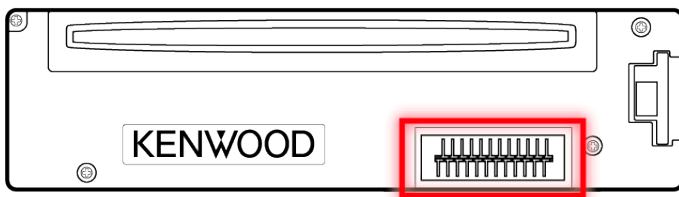
Before using this unit for the first time

KDC-X997, KDC-BT955HD, KDC-X897, KDC-BT855U, KDC-X697, and KDC-655U are factory-set to operate in the Demonstration mode initially.

When using this unit for the first time, cancel the Demonstration mode. Refer to [<Cancel the Demonstration mode>](#).

Cleaning the connector

The unit may not function properly if the connectors between the unit and faceplate are dirty. Detach the faceplate and clean the connector with a cotton swab gently, being careful not to damage the connector.

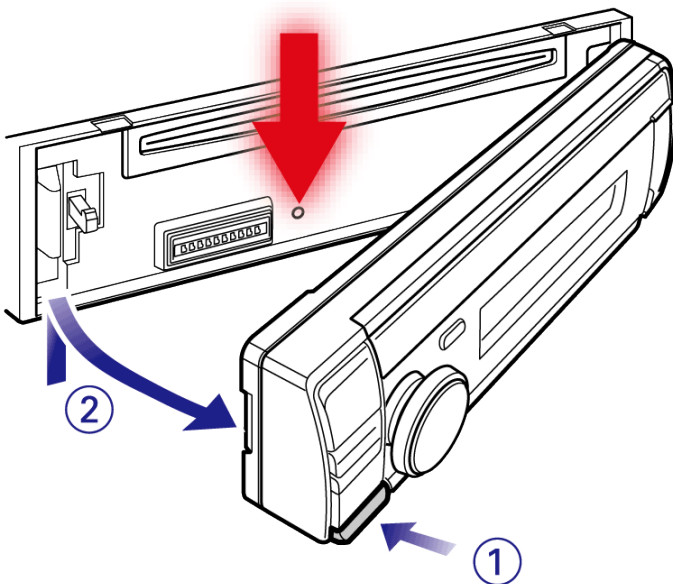


Condensation

When the car is air-conditioned, moisture may collect on the laser lens. This may cause disc read errors. In this case, remove the disc and wait for the moisture to evaporate.

How to reset your unit

If the unit fails to operate properly, press the Reset button. The unit returns to the factory settings when the Reset button is pressed.



Notes

- When you purchase optional accessories, check with your Kenwood dealer to make sure that they can work with your model and in your area.
- Characters that conform to ISO 8859-1 can be displayed.
- The illustrations of the display and panel appearing in this manual are examples used to explain more clearly how the controls are used. Therefore, what appears on the display in the illustrations may differ from what appears on the display in the actual equipment, and some of the images on the display may be inapplicable.

About the remote controls of KMR-555U

A maximum of 3 remote controls (KCA-RC107MR or KCA-RC55MR; optional accessory) can be used with the KMR-555U. For details on how to use the remote control, refer to the operation manual attached to it.

When using the remote control with this unit, you should register the remote control ID. For details, refer to [<20-1. Registering a remote control ID>](#).



1-3. Regulatory Compliance

▲CAUTION

Use of controls or adjustments or performance of procedures other than those specified herein may result in hazardous radiation exposure.

In compliance with Federal Regulations, following are reproductions of labels on, or inside the product relating to laser product safety.

JVC KENWOOD Corporation
2967-3, ISHIKAWA-MACHI,
HACHIOJI-SHI, TOKYO, JAPAN

THIS PRODUCT COMPLIES WITH DHHS RULES
21 CFR SUBCHAPTER J IN EFFECT AT DATE OF
MANUFACTURE.

Location : Top plate

■ FCC WARNING

This equipment may generate or use radio frequency energy. Changes or modifications to this equipment may cause harmful interference unless the modifications are expressly approved in the instruction manual. The user could lose the authority to operate this equipment if an unauthorized change or modification is made.

■ FCC NOTE

This equipment has been tested and found to comply with the limits for a Class B digital device, pursuant to Part 15 of the FCC Rules. These limits are designed to provide reasonable protection against harmful interference in a residential installation. This equipment may cause harmful interference to radio communications, if it is not installed and used in accordance with the instructions. However, there is no guarantee that interference will not occur in a particular installation. If this equipment does cause harmful interference to radio or television reception, which can be determined by turning the equipment off and on, the user is encouraged to try to correct the interference by one or more of the following measures:

Reorient or relocate the receiving antenna.

Increase the separation between the equipment and receiver.

Connect the equipment into an outlet on a circuit different from that to which the receiver is connected.

Consult the dealer or an experienced radio/TV technician for help.

■ IC (Industry Canada) Notice

Operation is subject to the following two conditions:

(1) This device may not cause interference, and

(2) this device must accept any interference, including interference that may cause undesired operation of the device.

The term "IC: " before the certification/ registration number only signifies that the Industry Canada technical specification were met.

▲CAUTION

This equipment complies with FCC/IC radiation exposure limits set forth for an uncontrolled environment and meets the FCC radio frequency (RF) Exposure Guidelines in Supplement C to OET65 and RSS-102 of the IC radio frequency (RF) Exposure rules. This equipment has very low levels of RF energy that it deemed to comply without maximum permissive exposure evaluation (MPE). But it is desirable that it should be installed and operated keeping the radiator at least 20cm or more away from person's body (excluding extremities: hands, wrists, feet and ankles).

Under Industry Canada regulations, this radio transmitter may only operate using an antenna of a type and maximum (or lesser) gain approved for the transmitter by Industry Canada. To reduce potential radio interference to other users, the antenna type and its gain should be so chosen that the equivalent isotropically radiated power (e.i.r.p.) is not more than that necessary for successful communication.

-
- Contains Transmitter Module
FCC ID : XQN-BTR60X
 - Contains Transmitter Module
IC: 9688A-BTR601
-

CALIFORNIA, USA

This product contains a CR Coin Cell Lithium Battery which contains Perchlorate Material – special handling may apply.

See www.dtsc.ca.gov/hazardouswaste/perchlorate

Información acerca de la eliminación de equipos eléctricos y electrónicos al final de la vida útil (aplicable a los países que hayan adoptado sistemas independientes de recogida de residuos)



Los productos con el símbolo de un contenedor con ruedas tachado no podrán ser desechados como residuos domésticos.

Los equipos eléctricos y electrónicos al final de la vida útil, deberán ser reciclados en instalaciones que puedan dar el tratamiento adecuado a estos productos y a sus subproductos residuales correspondientes. Póngase en contacto con su administración local para obtener información sobre el punto de recogida más cercano. Un tratamiento correcto del reciclaje y la eliminación de residuos ayuda a conservar los recursos y evita al mismo tiempo efectos perjudiciales en la salud y el medio ambiente.

Para cumplimiento de la COFETEL:

"La operación de este equipo está sujeta a las siguientes dos condiciones:

- (1) es posible que este equipo o dispositivo no cause interferencia perjudicial y
- (2) este equipo o dispositivo debe aceptar cualquier interferencia,

incluyendo la que pueda causar su operación no deseada."



2-1. Specifications

FM tuner section

- Frequency range (200 kHz step)
 - : 87.9 MHz - 107.9 MHz
- Usable sensitivity (S/N = 30dB)
 - : 9.3dBf (0.8 μ V/75 Ω)
- Quieting Sensitivity (S/N = 46dB)
 - : 10.2 dBf (1.13 μ V/75 Ω)
- Frequency response (± 3 dB)
 - : 30 Hz - 15 kHz
- Signal to Noise ratio
 - : 75 dB (MONO)
- Stereo separation
 - : 45 dB (1 kHz)

Digital FM tuner section (KDC-X997/ KDC-BT955HD)

- Frequency range (200 kHz step)
 - : 87.9 MHz - 107.9 MHz
- Frequency response (± 3 dB)
 - : 20 Hz - 20 kHz
- Signal to Noise ratio (STEREO)
 - : 75 dB

AM tuner section

- Frequency range (10 kHz step)
 - : 530 kHz - 1700 kHz
- Usable sensitivity (S/N = 20dB)
 - : 28 dB μ (25 μ V)

Digital AM tuner section (KDC-X997/ KDC-BT955HD)

- Frequency range (10 kHz step)
 - : 530 kHz - 1700 kHz
- Frequency response (± 3 dB)
 - : 40 Hz - 15 kHz
- Signal to Noise ratio (STEREO)
 - : 70 dB

CD player section

- Laser diode
 - : GaAlAs
- Digital filter (D/A)
 - : 8 Times Over Sampling
- D/A Converter
 - : 24 Bit
- Spindle speed (Audio files)
 - : 500 - 200 rpm (CLV)
- Wow & Flutter
 - : Below Measurable Limit
- Frequency response (± 1 dB)
 - : 10 Hz - 20 kHz
- Total harmonic distortion (1 kHz)
 - KDC-X997** **KDC-X897** **KDC-X697**
 - : 0.008 %
 - KDC-BT955HD** **KDC-BT855U** **KDC-655U** **KMR-555U**
 - : 0.010 %
- Signal to Noise ratio (1 kHz)
 - KDC-X997** **KDC-X897** **KDC-X697**
 - : 110 dB
 - KDC-BT955HD** **KDC-BT855U** **KDC-655U** **KMR-555U**
 - : 105 dB
- Dynamic range
 - : 93 dB
- MP3 decode
 - : Compliant with MPEG-1/2 Audio Layer-3
- WMA decode

: Compliant with Windows Media Audio
AAC decode
: AAC-LC ".m4a" files

USB interface

USB Standard
: USB1.1/ 2.0 (Full speed)
File System
: FAT12/16/ 32
Maximum Supply current
: DC 5 V \approx 1 A
Decode
: MP3, WMA, AAC, WAV

Audio section

Maximum output power
: 50 W x 4
Full Bandwidth Power (at less than 1% THD)
: 22 W x 4
Preout level/ Load (CD)
KDC-X997 KDC-BT955HD KDC-X897 KDC-BT855U
KDC-X697
: 4000 mV/10 k Ω
KDC-655U KMR-555U
: 2500 mV/10 k Ω
Preout impedance
: \leq 600 Ω
Speaker Impedance
: 4 - 8 Ω
Tone
KDC-X997
Band1 : 62.5 Hz \pm 9 dB
Band2 : 100 Hz \pm 9 dB
Band3 : 160 Hz \pm 9 dB
Band4 : 250 Hz \pm 9 dB
Band5 : 400 Hz \pm 9 dB
Band6 : 630 Hz \pm 9 dB
Band7 : 1 kHz \pm 9 dB
Band8 : 1.6 kHz \pm 9 dB
Band9 : 2.5 kHz \pm 9 dB
Band10 : 4 kHz \pm 9 dB
Band11 : 6.3 kHz \pm 9 dB
Band12 : 10 kHz \pm 9 dB
Band13 : 16 kHz \pm 9 dB
KDC-BT955HD
Band1 : 62.5 Hz \pm 9 dB
Band2 : 160 Hz \pm 9 dB
Band3 : 400 Hz \pm 9 dB
Band4 : 1 kHz \pm 9 dB
Band5 : 2.5 kHz \pm 9 dB
Band6 : 6.3 kHz \pm 9 dB
Band7 : 16 kHz \pm 9 dB
KDC-X897 KDC-BT855U KDC-X697 KDC-655U
KMR-555U
Bass : 100 Hz \pm 8 dB
Middle : 1 kHz \pm 8 dB
Treble : 12.5 kHz \pm 8 dB

Bluetooth section (KDC-X997/ KDC-BT955HD/ KDC-X897/ KDC-BT855U)

Version
: Bluetooth Ver. 2.1+EDR Certified
Frequency range
: 2.402 - 2.480 GHz
Output Power
: +4dBm (MAX), 0dBm (AVE) Power Class 2
Maximum Communication range
: Line of sight approx.10m (32.8 ft)
Profiles
: HFP (Hands Free Profile)
: SPP (Serial Port Profile)
: PBAP (Phonebook Access Profile)
: OPP (Object Push Profile)

- : A2DP (Advanced Audio Distribution Profile)
- : AVRCP (Audio/Video Remote Control Profile)

Auxiliary input

Frequency response (± 3 dB)

- : 20 Hz - 20 kHz

Input Maximum Voltage

- : 1200 mV

Input Impedance

- : 10 k Ω

General

Operating voltage

- KDC-X997** **KDC-BT955HD** **KDC-X897** **KDC-BT855U**

- : 14.4 V (10.5 - 16V allowable)

- KDC-X697** **KDC-655U** **KMR-555U**

- : 14.4 V (11 - 16V allowable)

Maximum Current consumption

- : 10 A

Installation Size (W x H x D)

- : 182 x 53 x 159 mm

- 7-3/16 x 2-1/16 x 6-1/4 inch

Weight

- KDC-X997** **KDC-BT955HD** **KDC-X897** **KDC-BT855U**

- : 2.9 lbs (1.3 kg)

- KDC-X697** **KDC-655U** **KMR-555U**

- : 2.7 lbs (1.2 kg)

Specifications subject to change without notice.



2-2. Trademarks

Bluetooth®

- The Bluetooth word mark and logos are owned by the Bluetooth SIG, Inc. and any use of such marks by JVC KENWOOD Corporation is under license. Other trademarks and trade names are those of their respective owners.



- "Made for iPod" and "Made for iPhone" mean that an electronic accessory has been designed to connect specifically to iPod or iPhone, respectively, and has been certified by the developer to meet Apple performance standards. Apple is not responsible for the operation of this device or its compliance with safety and regulatory standards. Please note that the use of this accessory with iPod or iPhone may affect wireless performance.
- iPhone, iPod, iPod classic, iPod nano, and iPod touch are trademarks of Apple Inc., registered in the U.S. and other countries.
- iTunes and Safari are trademark of Apple Inc.

((SiriusXM)) READY

- Sirius, XM and all related marks and logos are trademarks of Sirius XM Radio Inc. All rights reserved.

HD Radio®

- HD Radio Technology manufactured under license from iBiquity Digital Corporation. U.S. and Foreign Patents. HD Radio™ and the HD, HD Radio, and "Arc" logos are proprietary trademarks of iBiquity Digital Corp.



- PANDORA, the PANDORA logo, and the Pandora trade dress are trademarks or registered trademarks of Pandora Media, Inc., used with permission.

aha

- aha, the Aha logo, and the Aha trade dress are trademarks or registered trademarks of HARMAN International Industries, used with permission.



- Android and Chrome are trademark of Google Inc.
- BlackBerry®, RIM®, Research In Motion® and related trademarks, names and logos are the property of Research In Motion Limited and are registered and/or used in the U.S. and countries around the world. Used under license from Research In Motion Limited.



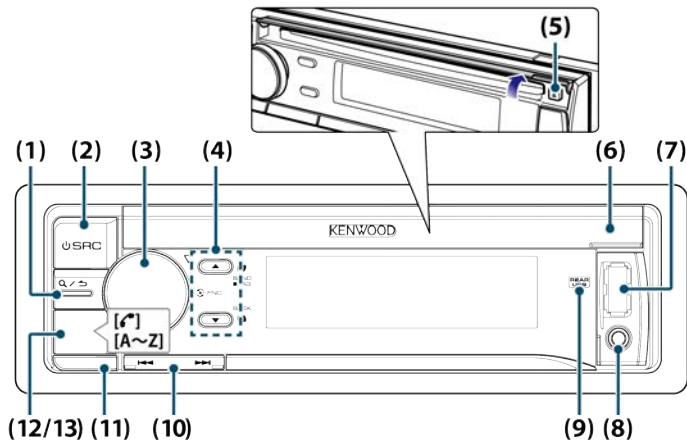
- Internet Explorer and Windows Media are registered trademark of Microsoft Corporation in the United States and other countries.



- The "AAC" logo is a trademark of Dolby Laboratories.



3-1. Component names



1. [Q/↵] button
When listening to the iPod, audio file, CD, or radio, press this button to enter the search mode. In each of the selected modes, press the button to return to the previous item.
2. [SRC] button
Press this button to enter source select mode. Refer to <Source selection>.
3. [Control] knob (Volume knob)
In the normal mode, turn the knob to adjust the volume or press the knob to enter the Function setting mode.
In the Function mode, turn the knob to select an item or press the knob to determine the selection.
4. [▲]/[▼] button
Press the button to select an audio file folder or use it as a Likes/ Dislikes button on Aha etc. The [▲] button can be used to select broadcast band as well.
5. [▲] button
Press the button to eject the disc.
6. Disc slot cover
When this cover opens upward, the disc insertion slot appears.
7. USB terminal (inside of the cover)
Connect an iPod or USB device.
8. Auxiliary input (inside of the cover)
Connect the output of an external device using a stereo mini-jack.
9. REAR USB indicator
When a USB device or iPod is connected to the USB terminal of the rear, this indicator stays lit. During playback of the connected device, this indicator blinks.
10. [◀◀]/[▶▶] button
Press the button to select a song or station.
11. Release button
Press the button to detach the faceplate.
12. **KDC-X997** **KDC-BT955HD** **KDC-X897** **KDC-BT855U** [☎] button
Press the button to make, answer, or disconnect a hands-free call.
13. **KDC-X697** **KDC-655U** **KMR-555U** [A~Z] button
Press any of (A to Z) button during the Music search mode to enter the alphabet search mode.



3-2. Preparations

Cancel the Demonstration mode

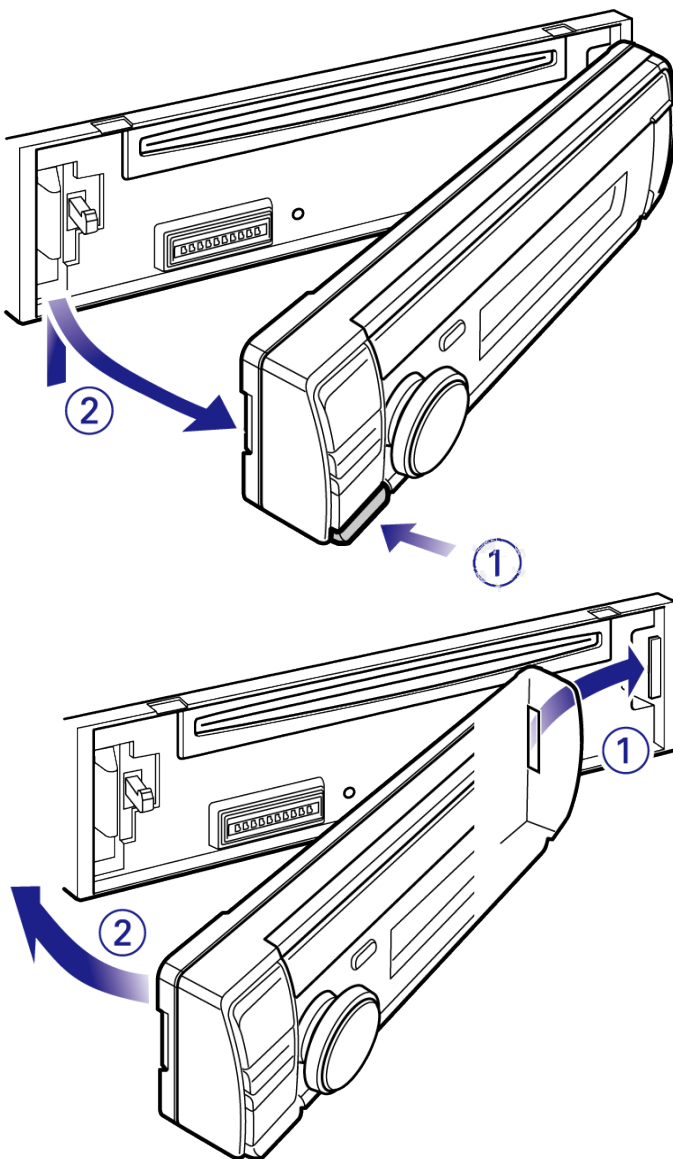
KDC-X997 KDC-BT955HD KDC-X897 KDC-BT855U KDC-X697

KDC-655U

Cancel the Demonstration mode when you use the unit for the first time after installation.

1. Press [Control] knob to cancel the Demonstration mode when the message "To cancel DEMO Press the volume knob" appears (approx. 15 seconds).
2. Turn [Control] knob to select the "YES", and then press [Control] knob.
The Demonstration mode can also be canceled in the Function Setting mode. Refer to <14-5. Demonstration mode setting>.

Detaching/ Attaching the faceplate



- Remove the faceplate at once after pressing the Release button; otherwise it can fall down due to vibration.
- The faceplate is a precision component of the unit and can be damaged by shocks or jolts.
- Keep the faceplate in its case while detached.
- Do not place the faceplate (and case) in areas exposed to direct sunlight, excessive heat or humidity. Also avoid places with too much dust or the possibility of water splashing.

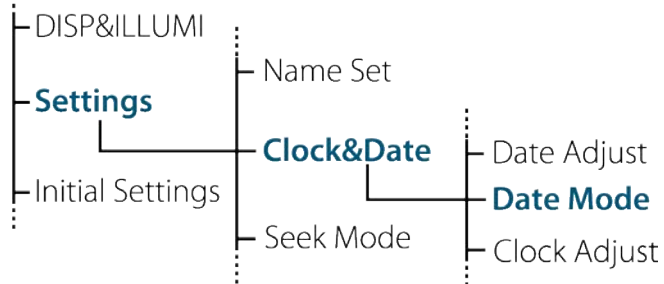


3-3. How to select the item

For how to select setting items such as a function setting item, see the following example:

Example: Setting the Date format of the display

1. Press [Control] knob.
"Function" appears and enters the Function setting mode.
2. Select the Date Mode function item



Turn [Control] knob to select "Settings", and then press [Control] knob.

Next, turn [Control] knob to select "Clock&Date", and then press [Control] knob.

Finally, turn [Control] knob to select "Date Mode", and then press [Control] knob.

To cancel and return to the previous item, press [Q/↵].

3. Turn [Control] knob to select a format (7 types), and then press [Control] knob.
Returns to the previous item.
4. Press and hold [Q/↵].
Exits the Function setting mode.

▼ About the description in this manual

- In this manual, operations performed in steps 2 and 3 are described as follows:
 2. Select "Settings" > "Clock&Date" > "Date Mode" using [Control] knob.
 3. Select a format (7 types) using [Control] knob.



3-4. Adjusting the clock

1. **Press [Control] knob.**
Enters the Function setting mode.
2. **Select "Settings" > "Clock&Date" > "Clock Adjust" using [Control] knob.**
For how to use [Control] knob, refer to <3-3. How to select the item>.
3. **Set the hour using [Control] knob.**
4. **Set the minute using [Control] knob.**

Exiting from the Function setting mode

Press and hold [Q/↵].



3-5. General operations

Power

Press [SRC] to turn the power ON.

Press and hold [SRC] to turn the power OFF.

Source selection

1. Press [SRC].

The currently selected source is displayed and enters the Source selection mode.

2. Select a source using [Control] knob.

Source	Display
Standby	"STANDBY"
SiriusXM (optional accessory)[1]	"SiriusXM"
HD Radio[2]	"HD RADIO"
Tuner[4]	"TUNER"
USB device connected to front USB terminal	"USB(FRONT)"
USB device connected to rear USB terminal	"USB(REAR)"
iPod connected to front USB terminal[1]	"iPod(FRONT)"
iPod connected to rear USB terminal[1]	"iPod(REAR)"
Pandora® of iPod connected to front USB terminal[1]	"Pandora(FRONT)"
Pandora® of iPod connected to rear USB terminal[1]	"Pandora(REAR)"
Pandora® of device connected via Bluetooth[1][3]	"Pandora"
iHeartRADIO of iPod connected to front USB terminal [1]	"iHeartRADIO (FRONT)"
iHeartRADIO of iPod connected to rear USB terminal [1]	"iHeartRADIO (REAR)"
iHeartRADIO of device connected via Bluetooth[1][3]	"iHeartRADIO"
aha™ of iPod connected to front USB terminal[1][3]	"aha(FRONT)"
aha™ of iPod connected to rear USB terminal[1][3]	"aha(REAR)"
aha™ of device connected via Bluetooth[1][3]	"aha"
Bluetooth audio[3]	"BT AUDIO"
CD[1]	"CD"
Auxiliary Input	"AUX"

[1] This source can be selected only when it can be played.

[2] Function of KDC-X997/ KDC-BT955HD.

[3] Function of KDC-X997/ KDC-BT955HD/ KDC-X897/ KDC-BT855U.

[4] Function of KDC-X897/ KDC-BT855U/ KDC-X697/ KDC-655U/ KMR-555U.

▼ Setting the source switching

- Source switching can be set so that pressing [SRC] switches among sources. For more details, refer to <14-6. Initial settings>.
- Source switching can be set so that "Pandora", "iHeartRADIO", "aha", and "AUX" sources can not be selected when not in use. For more details, refer to <14-6. Initial settings>.

Volume

Turn [Control] knob.

USB terminal

A USB device or iPod can be connected.

The CA-U1EX (Max. 500mA) or KCA-iP102 (optional accessories) is recommended to connect a USB device or iPod.

Auxiliary input

A portable audio device can be connected with a stereo mini-plug (3.5 mm ø).



4-1. Audio control

You can adjust the audio control items.

1. Press [SRC] and select a source other than Standby ("STANDBY") using [Control] knob.
Refer to <Source selection>.
2. Press [Control] knob.
Enters the Function setting mode.
3. Select "Audio Control" using [Control] knob.
For how to use [Control] knob, refer to <3-3. How to select the item>.
4. Select a audio control item using [Control] knob.

Display	Audio control item	Range
"SubWoofer Level"	Subwoofer level	-15 — +15 (dB)
"Bass Level"	Bass level	-8 — +8 (dB)
"Middle Level"	Middle level	-8 — +8 (dB)
"Treble Level"	Treble level	-8 — +8 (dB)
"Equalizer PRO"^[1]		
"Bass Adjust"		
"Bass Center FRQ"	Bass Center Frequency	60/ 80/ 100/ 200 (Hz)
"Bass Level"	Bass level	-8 — +8 (dB)
"Bass Q Factor"	Bass Q Factor	1.00/ 1.25/ 1.50/ 2.00
"Bass EXT"	Bass Extend	OFF/ ON
"Middle Adjust"		
"Middle Center FRQ"	Middle Center Frequency	0.5/ 1.0/ 1.5/ 2.5 (kHz)
"Middle Level"	Middle level	-8 — +8 (dB)
"Middle Q Factor"	Middle Q Factor	0.75/ 1.00/ 1.25
"Treble Adjust"		
"Treble Center FRQ"	Treble Center Frequency	10.0/ 12.5/ 15.0/ 17.5 kHz
"Treble Level"	Treble level	-8 — +8 (dB)
"Preset Equalizer"	Preset Equalizer curve	"Rock"/ "Pops"/ "Easy"/ "Top40"/ "Jazz"/ "Powerful"/ "Natural"/ "User" ^[3]
"Bass Boost"	Bass Boost	"OFF"/ "Level1"/ "Level2"/ "Level3"
"Loudness"	Loudness	"OFF"/ "Level1"/ "Level2"
"Balance"	Balance	Left 15 — Right 15
"Fader"	Fader	Rear 15 — Front 15
"SubWoofer"	Subwoofer output	ON/ OFF
"Detailed Settings"		
"HPF"	High Pass Filter	Through/ 100/ 120/ 150 (Hz)
"LPF SubWoofer"	Low Pass Filter	85/ 120/ 160/ Through (Hz)
"SubWoofer Phase" ^[4]	Subwoofer Phase	Reverse (180°)/ Normal (0°)
"Supreme" ^[5]	Supreme setting	OFF/ ON
"Audio Preset"	Audio Preset memory ^[2]	Recall/ Memory
"Volume Offset"	Volume offset	-8 — ±0 (dB) (AUX: -8 — +8)

^[1] Function of KDC-X897/ KDC-X697.

^[2] Refer to <4-2. Audio preset>, <4-3. Audio preset recall>.

^[3] "User": The customized Bass, Middle, and Treble settings are effective.

^[4] Displayed only when "LPF SubWoofer" is set to "85"/ "120"/ "160".

^[5] Audio file source only

5. Select a value using [Control] knob.

Exiting from the Function setting mode

Press and hold [Q/↵].

▼ Adjusting Bass, Middle, and Treble levels

- You can set Bass, Middle, and Treble levels for each source.



4-2. Audio preset

You can register the values set the Audio control items.

1. Set the audio control items

Refer to <4-1. Audio control>.

2. Select "Audio Control" > "Detailed Settings" > "Audio Preset" > "Memory" using [Control] knob.

For how to use [Control] knob, refer to <3-3. How to select the item>.

3. Select "YES" using [Control] knob.

"Memory Completed" appears.

Exiting from the Function setting mode

Press and hold [Q/↵].

▼ Number of Audio preset memories that can be stored

- Register a pair of Audio preset memories. You cannot register them by source.

▼ When reset

- When you press the Reset button, audio control values of all sources will be set to the values registered here.

▼ Audio control items that can be registered

- The following Audio control items can be registered.
"Bass Center FRQ"*, "Bass Level", "Bass Q Factor"*, "Bass EXT"*, "Middle Center FRQ"*, "Middle Level", "Middle Q Factor"*, "Treble Center FRQ"*, "Treble Level", "SubWoofers Level", "HPF", "LPF SubWoofers", "SubWoofers Phase"
*KDC-X897, KDC-X697 only



4-3. Audio preset recall

You can recall the Audio control items registered to the <4-2. Audio preset>.

- 1. Press [SRC] and select a recall source using [Control] knob.**
Refer to <Source selection>.
- 2. Press [Control] knob.**
Enters the Function setting mode.
- 3. Select "Audio Control" > "Detailed Settings" > "Audio Preset" > "Recall" using [Control] knob.**
For how to use [Control] knob, refer to <3-3. How to select the item>.
- 4. Select "YES" using [Control] knob.**
"Recall Completed" appears.

Exiting from the Function setting mode

Press and hold [Q/↵].



5-1. Audio control

You can adjust the audio control items.

1. Press [SRC] and select a source other than Standby ("STANDBY") using [Control] knob.
Refer to <Source selection>.
2. Press [Control] knob.
Enters the Function setting mode.
3. Select "Audio Control" using [Control] knob.
For how to use [Control] knob, refer to <3-3. How to select the item>.
4. Select a audio control item using [Control] knob.

Display	Overview
"SubWoofers Level"	You can set subwoofer level. "-15" — "0" — "+15"
"Preset Equalizer"[1][5]	Select from among preset equalizer curves to set the sound quality. "User" [2]/ "Natural"/ "Rock"/ "Pops"/ "Easy"/ "Top 40"/ "Jazz"/ "Powerful"/ "iPod"(During iPod source only)
"Manual Equalizer"[1][5]	Set the equalizer curve manually. Refer to <5-2. Manual equalizer control>.
"Pro Setup"	
"DSP Set"	Turn on/off the DSP function. "Bypass" : Disables the DSP function. "Through" : Enables the DSP function.
"Car Type"[5]	To get clear sound, set the sound environment according to the location and size of physically installed speakers with reference to the followings: <5-3. Car type selection> <5-4. Speaker setting> <5-5. X'Over setting> <5-6. Listening position setting> <5-7. Delay time control> <5-8. Channel level fine adjustments>
"Speaker Setting"[5]	
"X'Over"[5]	
"DTA Settings"[5]	
"Sound Enhancements"[5]	
"Supreme"[6]	Turns ON/OFF the Supreme function. Can be set while Audio file source of USB/CD and iPod source. "ON"/ "OFF"
"HIGHWAY-SOUND" [3]	Compensates the low volume or bass sound being lost by road noises to make vocal sound clearer. "OFF"/ "Low"/ "Middle"/ "High"
"Space Enhancer"[3][4]	Virtually enhances the sound space using the DSP. "OFF"/ "Small"/ "Medium"/ "Large"
"Sound Realizer"[4]	Virtually makes the sound more realistic using the DSP. "OFF"/ "Level1"/ "Level2"/ "Level3"
"Sound Elevation"[4]	Virtually raises the sound field using the DSP. "OFF"/ "Low"/ "Middle"/ "High"
"Volume offset"	Sets each source's volume as a difference from the basic volume. "-8" — "0" (AUX: "-8"— "+8")
"SubWoofers Mute"	Sets the Subwoofer Mute. "ON"/ "OFF"
"Audio Preset"	You can register the values set the Audio control items. Refer to <5-10. DSP preset>, <5-11. DSP preset recall>.
"Bass Boost"[5]	Sets the Bass Boost level in 3 steps. "OFF"/ "Level1"/ "Level2"/ "Level3"
"Loudness"[5]	Makes the sounds at high and low frequencies louder. "OFF"/ "Low"/ "High"
"Balance"	Adjusts left/right speaker balance. "Left15" — "0" — "Right15"
"Fader"	Adjusts front/rear speaker balance. "Rear15" — "0" — "Front15"

(Colored text: Factory setting)

- [1] You can select for each source.
- [2] "User": The Equalizer curve set in the section <5-2. Manual equalizer control> is recalled.
- [3] This function is not effective for the HD Radio source.
- [4] Function of KDC-X997.
- [5] Displayed only when "DSP Set" is set to "Through".
- [6] Audio file source only

5. Select a value using [Control] knob.

Exiting from the Function setting mode

Press and hold [Q/↵].

▼ When you selected "iPod" for "Preset Equalizer"

- When you selected "iPod" for "Preset Equalizer", next select an equalizer curve. Select a desired equalizer curve using [Control] knob from among 22 equalizer curves displayed after you selected "iPod".



5-2. Manual equalizer control

You can adjust the equalizer curve manually.

1. Press [SRC] and select a source other than Standby ("STANDBY") using [Control] knob.
Refer to <Source selection>.
2. Press [Control] knob.
Enters the Function setting mode.
3. Select "Audio Control" > "Manual Equalizer" using [Control] knob.
For how to use [Control] knob, refer to <3-3. How to select the item>.
4. Select a equalizer control item using [Control] knob.

Display	Description	Range
"Gain"	Adjust the gain of each band.	-9 - 0 - +9 dB
"Q Factor"[1]	Adjust Q of each band.	1.35 / 1.50 / 2.00
"Bass EXT"	-	"OFF" / "ON"

(Colored text: Factory setting)

[1] Function of KDC-X997.

When "Bass EXT" and "Q Factor" are selected, skip step 5.

5. Select a Band using [Control] knob.

KDC-X997

"BAND1"; 62.5 Hz, "BAND2"; 100 Hz,
 "BAND3"; 160 Hz, "BAND4"; 250 Hz,
 "BAND5"; 400 Hz, "BAND6"; 630 Hz,
 "BAND7"; 1 kHz, "BAND8"; 1.6 kHz,
 "BAND9"; 2.5 kHz, "BAND10"; 4 kHz,
 "BAND11"; 6.3 kHz, "BAND12"; 10 kHz,
 "BAND13"; 16 kHz

KDC-BT955HD

"BAND1"; 62.5 Hz, "BAND2"; 160 Hz,
 "BAND3"; 400 Hz, "BAND4"; 1 kHz,
 "BAND5"; 2.5 kHz, "BAND6"; 6.3 kHz,
 "BAND7"; 16 kHz

6. Select a value using [Control] knob.

Exiting from the Function setting mode

Press and hold [Q/↵].

▼ When the "Manual Equalizer" item is not displayed

- This function is not available when "iPod" is selected for "Preset Equalizer".



5-3. Car type selection

You can compensate the delay of the sound arrival time by selecting your environment from the car types.

1. Press [SRC] and select a source other than Standby ("STANDBY") using [Control] knob.
Refer to <Source selection>.
2. Press [Control] knob.
Enters the Function setting mode.
3. Select "Audio Control" > "Pro Setup" > "Car Type" using [Control] knob.
For how to use [Control] knob, refer to <3-3. How to select the item>.
4. Select a car type using [Control] knob.

Display	Car type
"OFF"	Not compensating.
"Compact"	Compact car
"Full Size Car"	Full size car
"Wagon"	Station wagon
"Minivan"	Minivan
"SUV"	Sport-utility vehicle
"Minivan (Long)"	Long Minivan

Exiting from the Function setting mode

Press and hold [Q/↵].

▼ To set the delay time finely

- You can compensate the distances in more details by using <5-7. Delay time control> function.



5-4. Speaker setting

The speaker X'Over is automatically set when the position and size of each speaker are selected from the following items.

1. Press [SRC] and select a source other than Standby ("STANDBY") using [Control] knob.
Refer to <Source selection>.
2. Press [Control] knob.
Enters the Function setting mode.
3. Select "Audio Control" > "Pro Setup" > "Speaker Setting" using [Control] knob.
For how to use [Control] knob, refer to <3-3. How to select the item>.
4. Select a speaker type using [Control] knob.

Speaker type	Setting item	Setting value
"Front"	Front speaker location	"Door", "On Dash", "Under Dash"
	"SIZE"	Front speaker size KDC-X997 "O.E.M.", "3 1/2in", "4in", "4 3/4in", "5in", "6 1/2in", "6 3/4in", "7in", "4x6", "5x7", "6x8", "6x9", "7x10" KDC-BT955HD "Small", "Medium", "Large"
	"TW"	Tweeter size "None", "Small", "Medium", "Large"
"Rear"	Rear speaker location	"Door", "Rear Deck" ("2nd Row", "3rd Row"[1])
	"SIZE"	Rear speaker size KDC-X997 "None", "O.E.M.", "3 1/2in", "4in", "4 3/4in", "5in", "6 1/2in", "6 3/4in", "7in", "4x6", "5x7", "6x8", "6x9", "7x10" KDC-BT955HD "None", "Small", "Medium", "Large"
"SubWoofers"	"SIZE"	Speaker Size Subwoofer KDC-X997 "None", "6 1/2inch", "8inch", "10inch", "12inch", "15inch Over" KDC-BT955HD "None", "Small", "Large"

(Colored text: Factory setting)

[1] Value set when "Minivan" or "Minivan (Long)" is selected as described in <5-3. Car type selection>.

5. Select a setting item using [Control] knob.
6. Select a setting value using [Control] knob.

Exiting from the Function setting mode

Press and hold [Q/↵].



5-5. X'Over setting

Fine adjusting the following setting values corresponding to the X'Over values set in the section <5-4. Speaker setting>.

1. Press [SRC] and select a source other than Standby ("STANDBY") using [Control] knob.
Refer to <Source selection>.
2. Press [Control] knob.
Enters the Function setting mode.
3. Select "Audio Control" > "Pro Setup" > "X'Over" using [Control] knob.
For how to use [Control] knob, refer to <3-3. How to select the item>.
4. Select a speaker type using [Control] knob.

Speaker type	Setting item	Setting value
"Front"	"FC"	Front high pass filter KDC-X997 Through, 30, 40, 50, 60, 70, 80, 90, 100, 120, 150, 180, 220, 250 Hz KDC-BT955HD Through, 40, 60, 70, 80, 100, 120, 150, 180, 220 Hz
	"SLOPE"[1][2]	Front high pass slope -6, -12, -18, -24 dB/Oct
	"GAIN"	Front gain -8, -7, -6, -5, -4, -3, -2, -1, 0 dB
"Rear"	"FC"	Rear high pass filter KDC-X997 Through, 30, 40, 50, 60, 70, 80, 90, 100, 120, 150, 180, 220, 250 Hz KDC-BT955HD Through, 40, 60, 70, 80, 100, 120, 150, 180, 220 Hz
	"SLOPE"[1][2]	Rear high pass slope -6, -12, -18, -24 dB/Oct
	"GAIN"	Rear Gain -8, -7, -6, -5, -4, -3, -2, -1, 0 dB
"SubWoofers"	"FC"	Subwoofer low pass filter KDC-X997 30, 40, 50, 60, 70, 80, 90, 100, 120, 150, 180, 220, 250, Through Hz KDC-BT955HD 40, 60, 70, 80, 100, 120, 150, 180, 220, Through Hz
	"SLOPE"[1][2]	Subwoofer slope -6, -12, -18, -24 dB/Oct
	"GAIN"	Subwoofer gain -8, -7, -6, -5, -4, -3, -2, -1, 0 dB
	"PHASE"	Subwoofer phase "REV" (180°)/ "NML" (0°)
"Tweeter"[2]	"FC"	Shelving filter 1, 1.6, 2.5, 4, 5, 6.3, 8, 10, 12.5 kHz
	"Volume"	Tweete volume -8, -7, -6, -5, -4, -3, -2, -1, 0 dB

(Colored text: Factory setting)

[1] Displayed only when "FC" is set to a value other than "Through".

[2] Function of KDC-X997.

5. Select a setting item using [Control] knob.
6. Select a setting value using [Control] knob.

Exiting from the Function setting mode

Press and hold [Q/↵].



5-6. Listening position setting

You can adjust sound localization according to the listening position.

1. Press [SRC] and select a source other than Standby ("STANDBY") using [Control] knob.
Refer to <[Source selection](#)>.
2. Press [Control] knob.
Enters the Function setting mode.
3. Select "Audio Control" > "Pro Setup" > "DTA Settings" > "Preset Position" using [Control] knob.
For how to use [Control] knob, refer to <[3-3. How to select the item](#)>.
4. Select a listening position using [Control] knob.

Display	Compensation seat
"ALL"	Not compensating.
"Front R"	Front Right seat
"Front L"	Front Left seat
"Front All"	Front seat

Exiting from the Function setting mode

Press and hold [Q/↵].



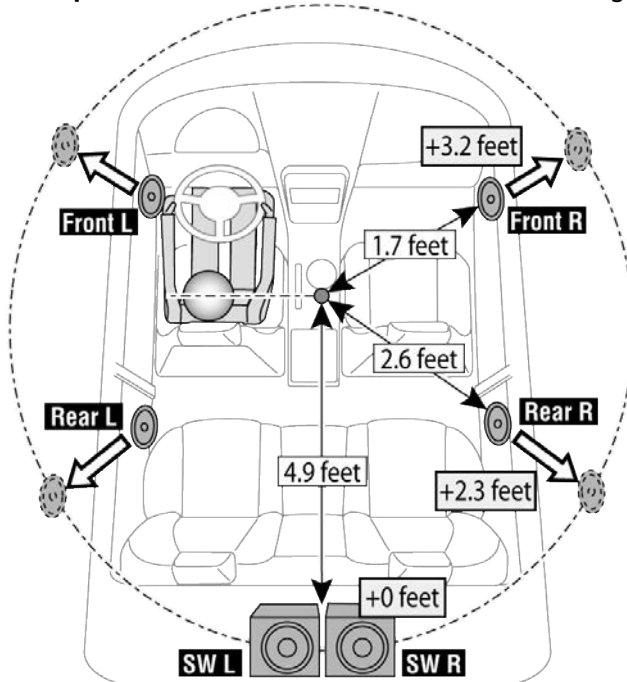
5-7. Delay time control

Adjusting fine tuning of the speaker position compensation value specified at <5-3. Car type selection>.

▼ Preparation for setting

- If you specify the distance from the center of the currently set listening position to every speaker, the delay time will be automatically computed and set.
 1. Determine the center of the currently set listening position as the reference point (● in the illustration shown below).
 2. Measure the distances from the reference point to the speakers.
 3. Calculate the differences between the distance of the furthest speaker and other speakers.
 4. Input the differences calculated in step 3 for individual speakers.
 5. Adjust gain for individual speakers. A sound image will be shifted to the speaker with increased gain.

Example: When "Front" is selected as the listening position (<5-6. Listening position setting>).



1. Press [SRC] and select a source other than Standby ("STANDBY") using [Control] knob. Refer to <Source selection>.
2. Press [Control] knob. Enters the Function setting mode.
3. Select "Audio Control" > "Pro Setup" > "DTA Settings" > "DTA" using [Control] knob. For how to use [Control] knob, refer to <3-3. How to select the item>.
4. Select a speaker using [Control] knob.

Speaker	Display	Range
Front Left speaker	"FrontL"	0 - 20.01 feet
Front Right speaker	"FrontR"	0 - 20.01 feet
Rear Left speaker	"RearL"	0 - 20.01 feet
Rear Right speaker	"RearR"	0 - 20.01 feet
Subwoofer Left	"SW L"	0 - 20.01 feet
Subwoofer Right	"SW R"	0 - 20.01 feet

(Colored text: Factory setting)

5. Select a value using [Control] knob.

Exiting from the Function setting mode

Press and hold [Q/↵].



5-8. Channel level fine adjustments

After DTA compensation, you can finely adjust the unsatisfactory speaker volume of respective speaker.

1. Press [SRC] and select a source other than Standby ("STANDBY") using [Control] knob.
Refer to <Source selection>.
2. Press [Control] knob.
Enters the Function setting mode.
3. Select "Audio Control" > "Pro Setup" > "DTA Settings" > "Channel Level" using [Control] knob.
For how to use [Control] knob, refer to <3-3. How to select the item>.
4. Select a speaker using [Control] knob.

Speaker	Display	Range
Front Left speaker	"Front" "L"	-8 - 0 dB
Front Right speaker	"Front" "R"	-8 - 0 dB
Rear Left speaker	"Rear" "L"	-8 - 0 dB
Rear Right speaker	"Rear" "R"	-8 - 0 dB
Subwoofer Left	"SW" "L"	-8 - 0 dB
Subwoofer Right	"SW" "R"	-8 - 0 dB

(Colored text: Factory setting)

5. Select a value using [Control] knob.

Exiting from the Function setting mode

Press and hold [Q/↵].



5-9. Resetting of DTA Settings

You can reset the DTA-compensated values to the factory settings.

1. Press [SRC] and select a source other than Standby ("STANDBY") using [Control] knob.
Refer to <[Source selection](#)>.
2. Press [Control] knob.
Enters the Function setting mode.
3. Select "Audio Control" > "Pro Setup" > "DTA Settings" > "Reset DTA Setting" using [Control] knob.
For how to use [Control] knob, refer to <[3-3. How to select the item](#)>.
4. Select "YES" using [Control] knob.

Exiting from the Function setting mode

Press and hold [Q/↵].



5-10. DSP preset

You can register the values set the DSP control items.

1. Set the DSP control items

Refer to the following operations to setup the Sound Control.

- "SubWoofers Level" of <5-1. Audio control>
- <5-2. Manual equalizer control>
- <5-3. Car type selection>
- <5-4. Speaker setting>
- <5-5. X'Over setting>
- <5-6. Listening position setting>
- <5-7. Delay time control>
- <5-8. Channel level fine adjustments>

2. Press [Control] knob.

Enters the Function setting mode.

3. Select "Audio Control" > "Pro Setup" > "Audio Preset" > "Memory" using [Control] knob.

For how to use [Control] knob, refer to <3-3. How to select the item>.

4. Select a memory number ("Memory 1" or "Memory 2") using [Control] knob.

5. Select "YES" using [Control] knob.

"Memory Completed" appears.

Exiting from the Function setting mode

Press and hold [Q/↵].

▼ When reset

- When this unit is reset, all setting values stored in "Memory 1" are applied to the source.



5-11. DSP preset recall

You can recall the DSP control items registered to the <5-10. DSP preset>.

1. **Press [SRC] and select a recall source using [Control] knob.**
Refer to <Source selection>.
2. **Press [Control] knob.**
Enters the Function setting mode.
3. **Select "Audio Control" > "Pro Setup" > "Audio Preset" > "Recall" using [Control] knob.**
For how to use [Control] knob, refer to <3-3. How to select the item>.
4. **Select a recall memory number ("Recall 1" or "Recall 2") using [Control] knob.**
5. **Select "YES" using [Control] knob.**
"Recall Completed" appears.

Exiting from the Function setting mode

Press and hold [Q/↵].



6-1. Models of iPods/iPhones that can be connected to this unit

Made for

- iPod nano (6th generation)
 - iPod nano (5th generation)
 - iPod nano (4th generation)
 - iPod nano (3rd generation)
 - iPod nano (2nd generation)
 - iPod nano (1st generation)
 - iPod with video
 - iPod classic
 - iPod touch (4th generation)
 - iPod touch (3rd generation)
 - iPod touch (2nd generation)
 - iPod touch (1st generation)
 - iPhone 4S
 - iPhone 4
 - iPhone 3GS
 - iPhone 3G
 - iPhone
- For information on the compatibility with iPod/iPhone software, visit www.kenwood.com/cs/ce/ipod/.
 - Types of available control vary depending on the type of connected iPod. Visit www.kenwood.com/cs/ce/ipod/ for further details.
 - The word "iPod" appearing in this manual indicates the iPod or the iPhone connected with the iPod connection cable (optional accessory).
 - Refer to the web site for connectable iPods and iPod connection cables.
www.kenwood.com/cs/ce/ipod/

▼ Notes

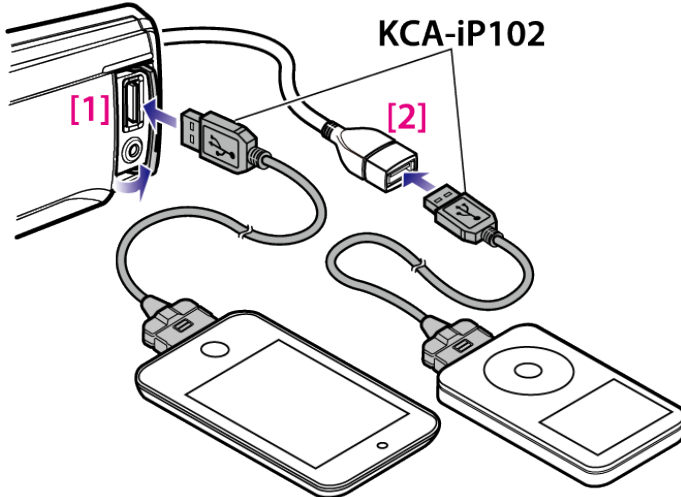
- If you start playback after connecting the iPod, the music that was playing on the iPod is played first. In this case, "RESUMING" appears without displaying a folder name, etc. Changing the browse item will display a correct title, etc.
- You cannot operate the iPod if "KENWOOD" or "✓" appears on the iPod.



6-2. Playing music

Playing a iPod

Connect the iPod to the USB terminal using the KCA-iP102 (optional accessory).



[1] Front USB terminal

[2] Rear USB terminal

You can connect the iPod to either one of the USB terminals provided at the front and rear of this unit. If you connect a device to the USB terminal provided at the rear, the "REAR USB" indicator stays lit. When it is connected, the source is switched automatically and playback starts.

Selecting a song

Press [**⏮**] or [**⏭**] button.

Fast-forwarding or fast-backwarding a song

Press and hold [**⏮**] or [**⏭**].

Pause and play a song

Press and hold [**⏸**].

Removing iPod

Switch the source to a device other than iPod, Pandora, Aha Radio, and iHeartRADIO, and then remove the iPod.

Data contained in the iPod may be damaged if you remove it when it is used as the active source.

▼ When playback of iPod touch or iPhone does not start

- If an unsupported application has started when connecting iPod touch or iPhone, "APP & iPod Mode" appears and sometimes playback does not start. In this case, APP & iPod Mode is set to "OFF". Refer to <6-9. [App & iPod mode setting search](#)>.



6-3. Music search

You can search for the song you want to play.

1. Press [Q/↵].
"MUSICSEARCH" appears and enters the Music search mode.
2. Search for a song

Operation type	Operation
Movement between items	Turn [Control] knob.
Selection of item	Press [Control] knob.
Return to previous item	Press [Q/↵].
Return to Top menu	Press and hold [⏪].

Exiting from the Music search mode

Press and hold [Q/↵].

▼ Undisplayable titles

- If no characters included in a song name can be displayed, the browse item name and digits are displayed.

Items	Display
Playlists	"PLIST***"
Artists	"ART***"
Albums	"ALB***"
Songs	"PRGM***"
Podcasts	"PDCT***"
Genres	"GEN***"
Composers	"COM***"



6-4. Alphabet search

You can select an alphabetic character from the list in the browse item (artist, album, etc.) currently selected.

▼ When the KDC-X697/ KDC-655U/ KMR-555U is used

1. Press [Q/↵].
"MUSICSEARCH" appears and enters the Music search mode.
2. Press and hold [Control] knob.
Enter the Search select mode
3. Select "Alphabet Search" using [Control] knob.
4. Select a character using [Control] knob.
Return to the Music search mode.

Exiting from the Alphabet search mode

Press and hold [Q/↵].

▼ Notes on alphabet search

- Turning [Control] knob fast in the Music search mode allows you to enter the alphabet search mode.
- The time of Alphabet search may become long depending on the number of items (songs) in iPod.
- To search for a character other than A to Z and 1, enter "*".
- If the first character string begins with an article "a", "an", or "the" in the alphabet search mode, it is searched for in defiance of the article.



6-5. Direct search

You can search for music by selecting a browse item and an alphabetic character(s).

1. **Press [Q/↵].**
"MUSICSEARCH" appears and enters the Music search mode.
2. **Press and hold [Control] knob.**
Enter the Search select mode
3. **Select "Direct Search" using [Control] knob.**
4. **Select browse item using [Control] knob.**

Display	Browse item
"PLAYLISTS"	Playlists
"ARTISTS"	Artists
"ALBUMS"	Albums
"SONGS"	Songs
"PODCASTS"	Podcasts
"GENRES"	Genres
"COMPOSERS"	Composers

5. **Select select a character(s) using [Control] knob.**
You can select up to three characters.
6. **Select "DONE" using [Control] knob.**
A search result list is displayed.
7. **Select music using [Control] knob.**

Exiting from the Music search mode

Press and hold [Q/↵].



6-6. Skip search

You can search for a song by skipping songs at the set skip search ratio (the ratio of the number of songs to skip to the total number of songs in the selected list)

1. Press [Q/↵].
"MUSICSEARCH" appears and enters the Music search mode.
2. Select browse item using [Control] knob.
3. Press and hold [Control] knob.
Enter the Search select mode
4. Select "Skip Search" using [Control] knob.
5. Search for music

Operation type	Operation
Movement between items	Turn [Control] knob.
Skip Search	Press [▲] or [▼].
Selection of item	Press [Control] knob.
Setting of skip search ratio	Press [◀◀] or [▶▶].

Exiting from the Music search mode

Press and hold [Q/↵].

▼ Skip search ratio setting

- You can also set the skip search ratio in the Function setting mode. Refer to <6-7. Skip search ratio setting>.



6-7. Skip search ratio setting

You can change the ratio of skip performed as mentioned in <6-6. Skip search>.

- 1. Press [SRC] and select an iPod ("iPod") source using [Control] knob.**
Refer to <Source selection>.
- 2. Press [Control] knob.**
Enters the Function setting mode.
- 3. Select "Settings" > "Skip Search" using [Control] knob.**
For how to use [Control] knob, refer to <3-3. How to select the item>.
- 4. Select a ratio using [Control] knob.**
Returns to the previous item.

Exiting from the Function setting mode

Press and hold [Q/↵].



6-8. Playback mode

You can select a playback mode, such as Random play and Repeat play.

1. Press [SRC] and select an iPod ("iPod") source using [Control] knob.
Refer to <Source selection>.
2. Press [Control] knob.
Enters the Function setting mode.
3. Select "Play Mode" using [Control] knob.
For how to use [Control] knob, refer to <3-3. How to select the item>.
4. Select a playback mode function using [Control] knob.

Display	Description
"Folder Random"	When set to "ON", plays the songs in the folder randomly. (Music only) <input checked="" type="checkbox"/> (ON) / <input type="checkbox"/> (OFF)
"All Random"	When set to "ON", plays all songs in the iPod randomly. (Music only) <input checked="" type="checkbox"/> (ON) / <input type="checkbox"/> (OFF)
"File Repeat"	When set to "ON", plays the song repeatedly. <input checked="" type="checkbox"/> (ON) / <input type="checkbox"/> (OFF)

5. Press [Control] knob.
The setting is changed.

Exiting from the Function setting mode

Press and hold [Q/↵].



6-9. App & iPod mode setting search

You can select a music from iPod when App & iPod mode is set to ON.

- 1. Press [SRC] and select an iPod ("iPod") source using [Control] knob.**
Refer to [<Source selection>](#).
- 2. Press [Control] knob.**
Enters the Function setting mode.
- 3. Select "APP & iPod Mode" using [Control] knob.**
For how to use [Control] knob, refer to [<3-3. How to select the item>](#).
Selecting "APP & iPod Mode" item each time switching between On and Off.

Exiting from the Function setting mode

Press and hold [Q/↵].

▼ Operation performed when "APP & iPod Mode" is set to "ON"

- When "APP & iPod Mode" is set to "ON", this unit can control only the "Pause and play", "Selecting a song", and "Fast Forward or Fast Backward of the Song" functions.



7-1. Requirements Pandora®

Requirements for listening to Pandora® are as follows:

iPhone or iPod touch

- Use an Apple iPhone or iPod touch running under iOS3 or later.
- Search for "Pandora" in the Apple iTunes App Store to find and install the most current version of the Pandora® application on your device.
- iPhone/ iPod touch connected to this unit with a KCA-iP102 (optional accessory).

Android™

- Visit the Google Play and search for Pandora to install.
- Bluetooth must be built in and the following profiles must be supported.
 - _ SPP (Serial Port Profile)
 - _ A2DP (Advanced Audio Distribution Profile)

BlackBerry®

- Visit www.pandora.com from the built in browser to download the Pandora application.
- Bluetooth must be built in and the following profiles must be supported.
 - _ SPP (Serial Port Profile)
 - _ A2DP (Advanced Audio Distribution Profile)

▼ Notes

- In the application on your device, log in and create an account with Pandora. (If you are not already a registered user, an account can also be created at www.pandora.com.)
- Internet connection by LTE, 3G, EDGE, or WiFi.
- Pandora® is only available in the United States, Australia, and New Zealand.
- Because Pandora® is a third-party service, the specifications are subject to change without prior notice. Accordingly, compatibility may be impaired or some or all of the services may become unavailable.
- Some functions of Pandora® cannot be operated from this unit.
- For issues using the application, please contact Pandora® at pandora-support@pandora.com

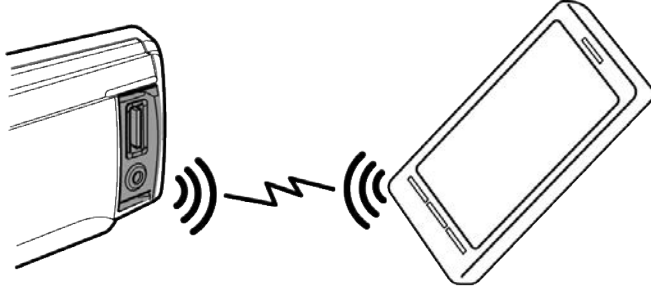


7-2. Listening to the Pandora®

Android or BlackBerry (KDC-X997/ KDC-BT955HD/ KDC-X897/ KDC-BT855U only)

- You need to register your cell phone before using it with this unit. See <15-2. Registering a Bluetooth device>.
- Disconnect the iPhone or iPod touch.

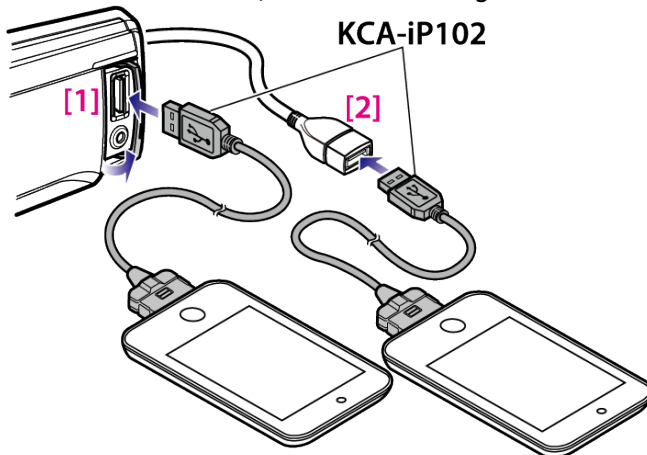
1. Connect the Android/BlackBerry smartphone via Bluetooth.



2. Open the Pandora® application on your device.
3. Press [SRC] and select a Pandora ("Pandora") source using [Control] knob.
Refer to <Source selection>.

iPhone or iPod touch

1. Open the Pandora® application on your device.
2. Connect the iPod to the USB terminal using the KCA-iP102 (optional accessory).
The source switches, and broadcasting starts automatically from your current station.



[1] Front USB terminal

[2] Rear USB terminal

3. Press [SRC] and select an Pandora ("Pandora(FRONT)" or "Pandora(REAR)") source using [Control] knob.
Refer to <Source selection>.



7-3. Basic operation

Thumbs up

Press [▲].

Thumbs down

Press [▼].

Song skip

Press [▶▶].

Pause and play a song

Press and hold [Q/↶].



7-4. Station search

You can select the station you want to listen to from your station list.

1. **Press [Q/↵].**
"Station List" appears and enter the Station List mode.
2. **Select a sort type using [Control] knob.**
"A-Z": Stations are displayed in alphabetical order.
"By Date": Stations are displayed in date order.
3. **Select a station using [Control] knob.**

▼ 🎵 indicator

- The 🎵 indicator is displayed for the station you are listening to.



7-5. Bookmark registration

You can register the current track information or artist information in Bookmark.

- 1. Press [Control] knob.**
Enters the Function setting mode.
- 2. Select "Bookmarks" using [Control] knob.**
For how to use [Control] knob, refer to <3-3. How to select the item>.
- 3. Select a information type using [Control] knob.**
 - _ "Bookmark Track": To register track information.
 - _ "Bookmark Artist": To register artist information.

"Adding bookmark" appears. The information about the song you are listening to now is added to the bookmark.

Exiting from the Function setting mode

Press and hold [Q/↶].

▼ Synchronization with your Pandora® account

- This unit allows you to bookmark tracks and/or artists in your personalized Pandora® account. The bookmarks will not be available for review on the unit but will be available in your Pandora® account.



7-6. New station creation

You can create a new station based on a favorite artist, track, or genre, or from what is currently playing.

1. Press and hold [Control] knob.

"New Station" appears and enter the New station creation.

2. Select a search method using [Control] knob.

- _ "My Station": Create a station based on an artist or track you enter.
- _ "Track": Create a station based on the currently playing track.
- _ "Artist": Create a station based on the currently playing artist.
- _ "Genre": Create a station from the genre list.

When you select "Track" or "Artist", a new station name is created. The subsequent steps need not be executed.

3. Specify a search condition.

When "My Station" is selected

Operation type	Operation
Selection of characters	Turn [Control] knob.
Determination of the selected characters.	Press [Control] knob.
Select the column	Press [◀] or [▶].
Station search starts	Select "DONE" using [Control] knob.

Up to 5 characters can be entered.

When "Genre" is selected

Select genre using [Control] knob.

4. Select a station using [Control] knob.

The broadcast from the selected station is received and the station is registered in the station list.



7-7. Deletion of station

You can delete registered station information from your station list.

- 1. Press [Control] knob.**
Enters the Function setting mode.
- 2. Select "Station Delete" using [Control] knob.**
For how to use [Control] knob, refer to <3-3. How to select the item>.
- 3. Select a sort type using [Control] knob.**
"A-Z": Stations are displayed in alphabetical order.
"By Date": Stations are displayed in date order.
- 4. Select a station using [Control] knob.**
- 5. Select "YES" using [Control] knob.**
"Completed" appears.

Exiting from the Function setting mode

Press and hold [Q/↵].



7-8. Pandora source control

You can turn on/off the Pandora source.

- 1. Press [SRC] and select a Standby ("STANDBY") using [Control] knob.**
Refer to [<Source selection>](#).
- 2. Press [Control] knob.**
Enters the Function setting mode.
- 3. Select "Initial Settings" > "Pandora Source" using [Control] knob.**
For how to use [Control] knob, refer to [<3-3. How to select the item>](#).
- 4. Select a Pandora source control method using [Control] knob.**
"ON": Turns on the Pandora source.
"OFF": Turns off the Pandora source.

Exiting from the Function setting mode

Press and hold [Q/↵].



8-1. Requirements Aha™

Requirements for listening to the Aha™ are as follows:

iPhone or iPod touch

- Use an Apple iPhone or iPod touch running iOS4 or later.
- Search for "aha" in the Apple iTunes App Store to find and install the most current version of the Aha™ application on your device.
- iPhone/ iPod touch connected to this unit with a KCA-iP102 (optional accessory).

Android™

- Use Android OS 2.2 or later.
- Download the Aha™ application to your smartphone from the Google Play.
- Bluetooth must be built in and the following profiles must be supported.
 - _ SPP (Serial Port Profile)
 - _ A2DP (Advanced Audio Distribution Profile)

▼ Notes

- In the application on your device, log in and create a free account with Aha.
- Internet connection by LTE, 3G, EDGE, or WiFi.
- Because Aha™ is a third-party service, the specifications are subject to change without prior notice. Accordingly, compatibility may be impaired or some or all of the services may become unavailable.
- Some Aha™ functionality cannot be operated from this unit.

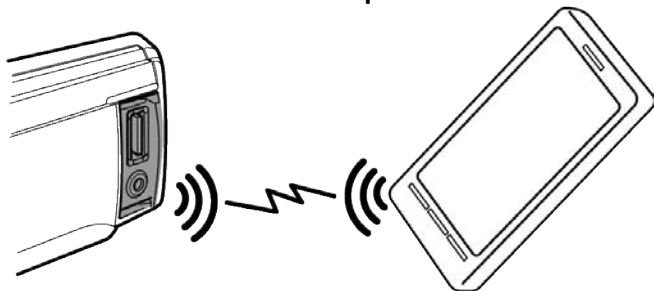


8-2. Listening to the Aha Radio

Android

- You need to register your cell phone before using it with this unit. See <15-2. Registering a Bluetooth device>.
- Disconnect the iPhone or iPod touch.

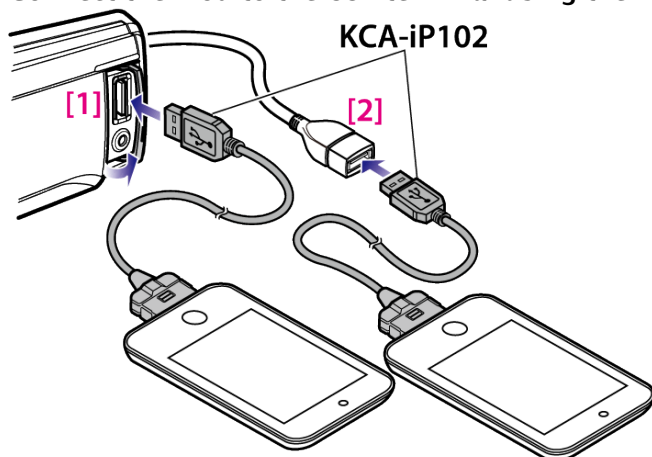
1. Connect the Android smartphone via Bluetooth.



2. Open the Aha Radio application on your device.
3. Press [SRC] and select an Aha Radio ("aha") source using [Control] knob.
Refer to <Source selection>.

iPhone or iPod touch

1. Open the Aha Radio application on your device.
2. Connect the iPod to the USB terminal using the KCA-iP102 (optional accessory).



[1] Front USB terminal

[2] Rear USB terminal

3. Press [SRC] and select an Aha Radio ("aha(FRONT)" or "aha(REAR)") source using [Control] knob.
Refer to <Source selection>.



8-3. Basic operations

Pause and play a content

Press and hold [Q/⏮].

Selecting a content

Press [⏮] or [⏭] button.

Forward 30 seconds a content

Press and hold [⏭].

Backward 15 seconds a content

Press and hold [⏮].

"Likes" current content

Press [▲] button.

To unvote, press the button again.

"Dislikes" current content

Press [▼] button.

To unvote, press the button again.

▼ Notes

- You can not perform the above operations depending on the selected station.



8-4. Station search

You can select the station you want to listen to from your station list.

- 1. Press [Q/↵].**
"Station List" appears and enter the Station List mode.
- 2. Select a station using [Control] knob.**
For how to use [Control] knob, refer to <3-3. How to select the item>.
- 3. Select a content using [Control] knob.**



8-5. Calling a number in the content

You can call the phone number obtained from the content from a smartphone connected to this unit via Bluetooth.

- 1. Press and hold [Control] knob.**
"Make a call" appears.
- 2. Press [Control] knob.**
Makes a call.

Canceling the call

Press [Q/↵].

▼ Notes

- You can not perform the above operations depending on the selected station.



8-6. Aha source control

You can turn on/off the aha source.

1. **Press [SRC] and select a Standby ("STANDBY") using [Control] knob.**
Refer to [<Source selection>](#).
2. **Press [Control] knob.**
Enters the Function setting mode.
3. **Select "Initial Settings" > "aha Source" using [Control] knob.**
For how to use [Control] knob, refer to [<3-3. How to select the item>](#).
4. **Select a aha source control method using [Control] knob.**
"ON": Turns on the aha source.
"OFF": Turns off the aha source.

Exiting from the Function setting mode

Press and hold [Q/↵].



9-1. Requirements iHeartRADIO™

Requirements for listening to the iHeartRADIO™ are as follows:

- Download the iHeart Link for KENWOOD application from the iTunes App Store or Google play.
- In the application on your device, log in and create a free account with iHeartRADIO.
- Internet connection by LTE, 3G, EDGE, or WiFi.

iPhone or iPod touch

- Search for "iHeart Link" in the Apple iTunes App Store to find and install the most current version of the iHeart Link for application on your device.
- iPhone/ iPod touch connected to this unit with a KCA-iP102 (optional accessory).

Android™

- Download the iHeart Link application to your smartphone from the Google Play.
- Bluetooth must be built in and the following profiles must be supported.
 - _ SPP (Serial Port Profile)
 - _ A2DP (Advanced Audio Distribution Profile)

▼ Notes

- Because iHeartRADIO™ is a third-party service, the specifications are subject to change without prior notice. Accordingly, compatibility may be impaired or some or all of the services may become unavailable.
- Some iHeartRADIO™ functionality cannot be operated from this unit.

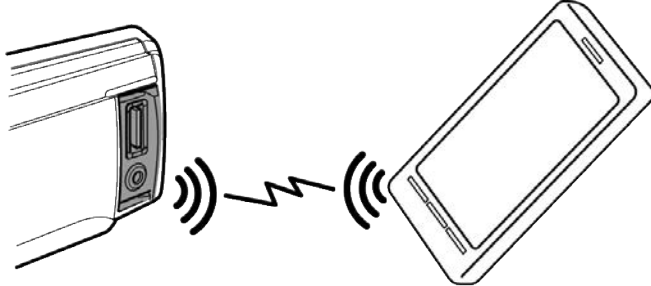


9-2. Listening to the iHeartRADIO

Android (KDC-X997/ KDC-BT955HD/ KDC-X897/ KDC-BT855U only)

- You need to register your cell phone before using it with this unit. See <15-2. Registering a Bluetooth device>.
- Disconnect the iPhone or iPod touch.

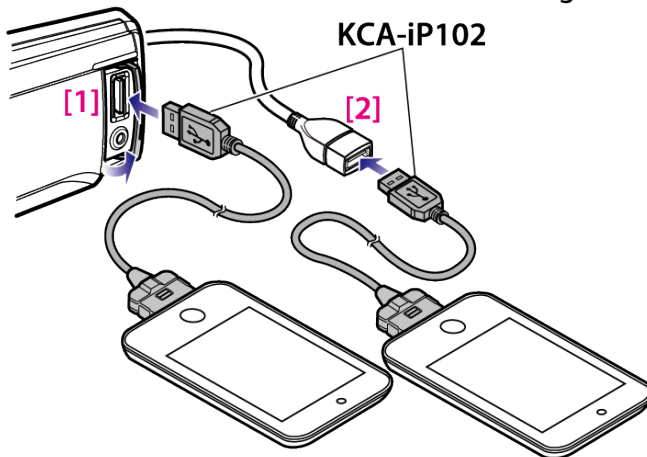
1. Connect the Android smartphone via Bluetooth.



2. Open the iHeart Link application on your device.
3. Press [SRC] and select an iHeartRADIO ("iHeartRADIO") source using [Control] knob. Refer to <Source selection>.

iPhone or iPod touch

1. Open the iHeart Link application on your device.
2. Connect the iPod to the USB terminal using the KCA-iP102 (optional accessory).



[1] Front USB terminal

[2] Rear USB terminal

3. Press [SRC] and select an iHeartRADIO ("iHeartRADIO(FRONT)" or "iHeartRADIO(REAR)") source using [Control] knob. Refer to <Source selection>.



9-3. Basic operations

Stop/Pause and play a song

Press and hold [Q/⏸].

Skip track (Custom station)

Press [▶▶].

Thumbs up (Custom station)

Press [▲] button.

Thumbs down (Custom station)

Press [▼] button.

Adding to favorite stations (Live station)

Press and hold [▲].

Creating a custom station name

Press and hold [Control] knob.

A custom station name is created according to the current song information.



9-4. Station search

You can select the station you want to listen to from your station list.

1. Press [Q/↵].

"Station List" appears and enter the Station List mode.

2. Select a category and station using [Control] knob.

Select the desired file from the list (My Station, Local, Genres, Cities).

When a city's list is displayed, you can skip stations in alphabetical order. Press and hold [Control] knob, and then select a station using [Control] knob.

When a custom station is selected, the "CUSTOM" indicator stays lit.



9-5. Station scan

You can switch among stations at random.

1. **Press [SRC] and select an iHeartRADIO source using [Control] knob.**
Refer to [<Source selection>](#).
2. **Press [Control] knob.**
Enters the Function setting mode.
3. **Select "Station Scan" using [Control] knob.**
For how to use [Control] knob, refer to [<3-3. How to select the item>](#).
Stations are selected and received at random.

Exiting from the Function setting mode

Press and hold [Q/↵].

▼ Note

- The Station scan function can be used only while listening to a live station.



9-6. Favorite station delete

You can delete a favorite station.

1. **Press [SRC] and select an iHeartRADIO source using [Control] knob.**
Refer to [<Source selection>](#).
2. **Press [Control] knob.**
Enters the Function setting mode.
3. **Select "Station Delete" using [Control] knob.**
For how to use [Control] knob, refer to [<3-3. How to select the item>](#).
4. **Select a category ("Live" or "Custom") using [Control] knob.**
5. **Select a station using [Control] knob.**
6. **Select "YES" using [Control] knob.**
"Station Delete Completed" appears.

Exiting from the Function setting mode

Press and hold [Q/↵].



9-7. iHeartRADIO source control

You can turn on/off the iHeartRADIO source.

1. **Press [SRC] and select a Standby ("STANDBY") using [Control] knob.**
Refer to [<Source selection>](#).
2. **Press [Control] knob.**
Enters the Function setting mode.
3. **Select "Initial Settings" > "iHeartRADIO Source" using [Control] knob.**
For how to use [Control] knob, refer to [<3-3. How to select the item>](#).
4. **Select a iHeartRADIO source control method using [Control] knob.**
"ON": Turns on the iHeartRADIO source.
"OFF": Turns off the iHeartRADIO source.

Exiting from the Function setting mode

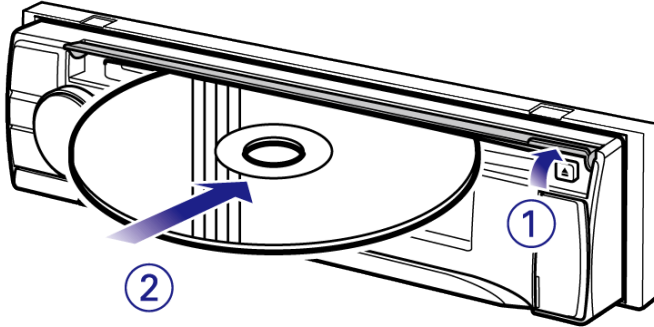
Press and hold [Q/↵].



10-1. Playing music

Playing a disc

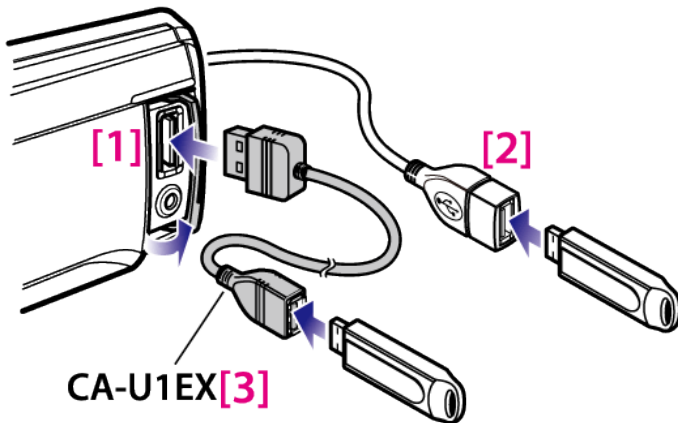
Open the Disc slot cover upward.
Insert a disc in the Disc slot.



When it is inserted, the source is switched automatically and playback starts.
Close the Disc slot cover.

Playing a USB device

Connect a USB device to the USB terminal.



- [1] Front USB terminal
- [2] Rear USB terminal
- [3] optional accessory

You can connect the iPod or USB device to either one of the USB terminals provided at the front and rear of this unit.

When it is connected, the source is switched automatically and playback starts.

Selecting an audio file folder

Press [▲] or [▼] button.

Selecting a song (track or file)

Press [◀] or [▶].

Fast-forwarding or fast-backwarding a song (track or file)

Press and hold [◀] or [▶].

Pause and play a song (track or file)

Press and hold [Q/⏮].

Removing disc

Open the Disc slot cover upward.
Press [▲].

Removing USB device

Press [SRC] to switch the source to a device other than USB, and then remove the USB device.

Data contained in the USB device may be damaged if you remove it when it is used as the active source.



10-2. Music search

You can select the music you want to listen to from the device or media being played now.

1. Press [Q/↵].
"MUSICSEARCH" appears, and the Music search mode is selected.
2. Search for music

Audio file

Operation type	Operation
Movement between folders/files	Turn [Control] knob.
Automatic scrolling	Press and hold [▲]/[▼]. To cancel, press [▲]/[▼].
Selection of folder/file	Press [Control] knob.
Return to previous folder	Press [Q/↵].
Return to root folder	Press and hold [⏮].
Cancellation of Music search mode	Press and hold [Q/↵].

🎵 indicator: Audio file

📁 indicator: Folder

CD source

Operation type	Operation
Movement between track	Turn [Control] knob.
Selection of track	Press [Control] knob.
Return to first track	Press and hold [⏮].
Cancellation of Music search mode	Press [Q/↵].

▼ When two USB memories are connected

- When two USB memories are connected, you can search for a song in both USB memories. When database information is added using KENWOOD Music Editor (<[10-9. About "KENWOOD Music Editor Light" and "KENWOOD Music Control">](#)), you can search a song in only one USB memory.



10-3. Skip search

(Music Editor media <10-9. About "KENWOOD Music Editor Light" and "KENWOOD Music Control">)

You can search for a song by skipping songs at the set skip search ratio (the ratio of the number of songs to skip to the total number of songs in the selected list).

1. Press [Q/↵].
"MUSICSEARCH" appears, and the Music search mode is selected.
2. Select browse item using [Control] knob.
3. Press and hold [Control] knob.
Enter the Search select mode
4. Select "Skip Search" using [Control] knob.
5. Search for music

Operation type	Operation
Movement between items	Turn [Control] knob.
Skip search	Press [▲] or [▼].
Selection of item	Press [Control] knob.
Setting of skip search ratio	Press [◀◀] or [▶▶].

Exiting from the Music search mode

Press and hold [Q/↵].

▼ Skip search ratio setting

- You can also set the skip search ratio in the Function setting mode. Refer to <10-4. Skip search ratio setting>.



10-4. Skip search ratio setting

(*Music Editor media <10-9. About "KENWOOD Music Editor Light" and "KENWOOD Music Control">*)

You can change the ratio of skip performed as mentioned in <10-3. Skip search>.

- 1. Press [SRC] and select a USB ("USB") source using [Control] knob.**
Refer to <Source selection>.
- 2. Press [Control] knob.**
Enters the Function setting mode.
- 3. Select "Settings" > "Skip Search" using [Control] knob.**
For how to use [Control] knob, refer to <3-3. How to select the item>.
- 4. Select a ratio using [Control] knob.**
Returns to the previous item.

Exiting from the Function setting mode

Press and hold [Q/↵].



10-5. Playback mode

You can select a playback mode, such as Random play and Repeat play.

1. Press [SRC] and select a CD/ USB ("CD"/ "USB") source using [Control] knob.
Refer to <Source selection>.
2. Press [Control] knob.
Enters the Function setting mode.
3. Select "Play Mode" using [Control] knob.
For how to use [Control] knob, refer to <3-3. How to select the item>.
4. Select a playback mode function using [Control] knob.

Display	Description
"Disc Random" (CD)/ "Folder Random" (Audio file)	When set to "ON", plays the songs in the CD/folder randomly. <input checked="" type="checkbox"/> (ON) / <input type="checkbox"/> (OFF)
"All Random" (Audio file)	When set to "ON", plays all songs in the disc/USB randomly. <input checked="" type="checkbox"/> (ON) / <input type="checkbox"/> (OFF)
"Track Repeat" (CD)/ "File Repeat" (Audio file)	When set to "ON", plays the selected song repeatedly. <input checked="" type="checkbox"/> (ON) / <input type="checkbox"/> (OFF)
"Folder Repeat" (Audio file ^[1])	When set to "ON", plays the songs in the folder repeatedly. <input checked="" type="checkbox"/> (ON) / <input type="checkbox"/> (OFF)

[1] Except the Music Editor media

5. Press [Control] knob.
The setting is changed.

Exiting from the Function setting mode

Press and hold [Q/↵].



10-6. Direct music search

(Function of KDC-X997/ KDC-BT955HD/ KDC-X897/ KDC-BT855U/ KDC-X697/ KDC-655U with remote control)

You can search for music by entering the track number.

1. Press [DIRECT] on the remote control.
" - - " appears and enter the Direct Music search mode.
2. Press the number buttons on the remote control to enter the music number.
3. Press [ENT] on the remote control.

Exiting the Direct music search mode

Press [] on the remote control.

▼ This function cannot be used for a Music Editor media.

- This function cannot be used for media for which database information is added using KENWOOD Music Editor (<[10-9. About "KENWOOD Music Editor Light" and "KENWOOD Music Control">](#)

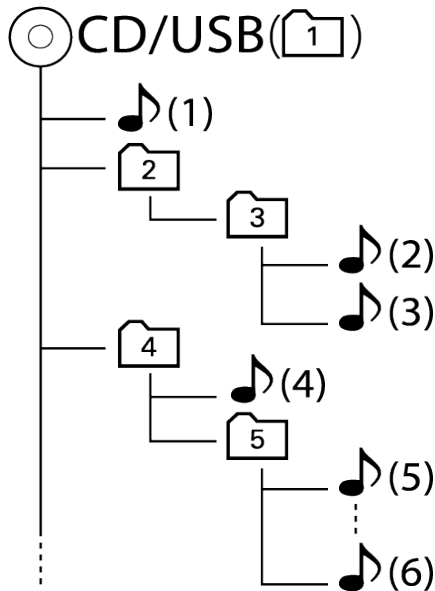


10-7. About the Audio file

- **Playable Audio files**
AAC-LC (.m4a), MP3 (.mp3), WMA (.wma), WAV (.wav) of USB device
- **Playable disc media**
CD-R/RW/ROM
- **Playable disc file formats**
ISO 9660 Level 1/2, Joliet, Long file name.
- **Playable USB devices**
USB mass storage class
- **Playable USB device file systems**
FAT12, FAT16, FAT32

Even if the audio files comply with the standards listed above, playback may be impossible depending on the type or condition of the medium or device.

- **Playback order of the Audio files**
In the example of folder/file tree shown below, files are played in the order of number from (1) to (6).



📁: folder
♪: Audio file

For the online manual describing audio files, visit www.kenwood.com/cs/ce/audiofile/. In this online manual, detailed information and notes which are not provided in this manual are provided. Make sure to read through the online manual as well.

▼ What is a USB device?

- In this manual, the term "USB device" indicates a flash memory or digital audio player which has a USB terminal.



10-8. About the USB device

- When the USB device is connected to this unit, it is charged when this unit is powered.
- Install the USB device in the place where it will not prevent you from driving your vehicle properly.
- You cannot connect a USB device via a USB hub or multi card reader.
- Save backups of the audio files used with this unit. The files can be erased depending on the operating condition of the USB device.
We shall not be liable for any damage arising out of erasure of the stored data.
- No USB device comes with this unit. You need to purchase a commercially available USB device.
- When connecting the USB device, use of the CA-U1EX (optional accessory) is recommended.
- Normal playback is not guaranteed when a cable other than the USB compatible cable is used.
Connecting a cable whose total length is longer than 4 m can result in abnormal playback.






10-9. About "KENWOOD Music Editor Light" and "KENWOOD Music Control"

- This unit supports the PC application "KENWOOD Music Editor Light" (hereinafter "KME-Light"), and Android™ application "KENWOOD Music Control" (hereinafter "KMC").
- When you use the audio file with database information added by the "KENWOOD Music Editor Light" or "KENWOOD Music Control", you can search for a file by title, album or artist name using Music Search.
- "KENWOOD Music Editor Light" and "KENWOOD Music Control" are available from the following web site:
www.kenwood.com/cs/ce/



10-10. About the discs used with this unit

- This unit can only play the CDs with    .
- The following discs cannot be used:
 - A discs that is not round
 - A discs with coloring on the recording surface or a disc that is dirty
 - A recordable/rewritable disc that has not been finalized (For the finalization process, refer to the instruction manual that came with your disc writing software or your disc recorder.)
 - An 8 cm (3 inch) disc (An attempt to insert using an adapter can cause malfunction.)



10-11. Handling discs

- Do not touch the recording surface of the disc.
- Do not stick tape etc. on the disc, or use a disc with tape stuck on it.
- Do not use any accessories for the disc.
- Do not use any solvents to clean discs. Use a dry silicon or soft cloth.
- Clean the disc by moving the cloth outward from the center of the disc.
- When removing a disc from this unit, pull it out horizontally.
- If the center hole or outside rim of a disc has burrs, remove them before inserting a disc.



11-1. Listening to the radio

Selecting a tuner source

1. Press [SRC].
Enters the Source selection mode.
2. Select a Tuner ("TUNER") source using [Control] knob.
Refer to <Source selection>.

Selecting a band (FM or AM)

Press [▲].

Selecting a station

Press [◀◀] or [▶▶].

The seek mode can be changed. Refer to <Selecting a Seek mode> (refer to below), <11-5. Tuner setting>.

Selecting a Seek mode

Press [▼].

Display	Operation
"Auto1"	Automatic search for a station.
"Auto2"	Search in order of the stations in the preset memory.
"Manual"	Normal manual tuning.



11-2. Station preset memory

You can store a station in the memory.

1. Press [**◀◀**] or [**▶▶**] to select the station.
2. Press [**Q/↵**].
Enter the Preset mode.
3. Turn [**Control**] knob to select a memory number (FM: "1" - "18", AM: "1" - "6").
4. Press and hold [**Control**] knob.

Exiting from the Preset memory mode

Press and hold [**Q/↵**].

▼ About the Mix Station preset mode

- If you press [**Q/↵**] twice in step 2, the Mix Station preset mode is selected with "Mixed Preset List" displayed.
In this mode, different bands and tuner sources (FM, AM, SiriusXM, HD Radio tuner etc.) can be saved in the same preset layer, which allows you to recall the desired station without switching between bands or tuner sources.
A maximum of six stations can be preset in the Mix Station preset mode.
Once the Mix Station preset mode is set, you can enter the same mode by just pressing [**Q/↵**] once in step 2.
Pressing [**Q/↵**] twice allows you to return to the normal Station preset mode.



11-3. Auto memory

You can register 18 (FM)/ 6 (AM) stations with good reception automatically.

- 1. Press [SRC] and select a Tuner ("TUNER") source using [Control] knob.**
Refer to [<Source selection>](#).
- 2. Press [▲] to select a band.**
- 3. Press [Control] knob.**
Enters the Function setting mode.
- 4. Select "Settings" > "Auto Memory" using [Control] knob.**
For how to use [Control] knob, refer to [<3-3. How to select the item>](#).
- 5. Select "YES" using [Control] knob.**
When 18 (FM)/ 6 (AM) stations that can be received are stored in the memory, the process in this mode is completed.

Exiting from the Function setting mode

Press and hold [Q/↵].



11-4. Recall preset station

Recall the stations in the memory.

1. Press [**▲**] to select a band.
2. Press [**Q/↵**].
Enter the Preset mode.
3. Select a memory number (FM: "1" - "18", AM: "1" - "6") using [Control] knob.



11-5. Tuner setting

You can set up the tuner.

1. Press [SRC] and select a Tuner ("TUNER") source using [Control] knob.
Refer to <Source selection>.
2. Press [Control] knob.
Enters the Function setting mode.
3. Select "Settings" using [Control] knob.
For how to use [Control] knob, refer to <3-3. How to select the item>.
4. Select a Tuner setting item using [Control] knob.

Display	Description
"Seek Mode"	Sets the seek mode. "Auto1": Automatic search for a station. "Auto2": Search in order of the stations in the preset memory. "Manual": Normal manual tuning.
"MONO"	You can reduce the noise when stereo broadcasts are received as monaural. "ON" / "OFF"
"TI"[1]	Switches to the traffic information automatically when the traffic bulletin starts. "ON" / "OFF"

(Colored text: Factory setting)

[1] Function of KDC-X897/ KDC-BT855U/ KDC-X697/ KDC-655U/ KMR-555U.

5. Select a setting using [Control] knob.
Returns to the previous item.

Exiting from the Function setting mode

Press and hold [Q/↵].



11-6. Direct access tuning

(Function of remote control)

You can search for a station directly by entering frequency.

1. Press **[DIRECT]** on the remote control.
"- - -" appears and enter the Direct access tuning mode.
2. Press the number buttons on the remote control to enter the frequency.

Example:

Desired frequency	Press the following buttons
92.1 MHz (FM)	[9], [2], [1]
810 kHz (AM)	[8], [1], [0]

3. Press **[ENT]** on the remote control.

Exiting from the Direct access tuning mode

Press **[↩]** on the remote control.



11-7. PTY (Program Type)

You can search for a station by selecting a Program Type.

1. **Press [Control] knob.**
Enters the Function setting mode.
2. **Select "Settings" > "PTY Search" using [Control] knob.**
For how to use [Control] knob, refer to <3-3. How to select the item>.
3. **Select a Program Type using [Control] knob.**

Program Type	Display
Speech	"Speech"
Music	"Music"
News	"News"
Information	"Inform"
Sports	"Sports"
Talk	"Talk"
Rock	"Rock"
Classic Rock	"Cls Rock"
Adult Hits	"Adlt Hit"
Soft Rock	"Soft Rck"
Top 40	"Top 40"
Country	"Country"
Oldies	"Oldies"
Soft	"Soft"
Nostalgia	"Nostalga"
Jazz	"Jazz"
Classical	"Classicl"
R & B	"R & B"
Soft R & B	"Soft R&B "
Language	"Language"
Religious Music	"Rel Musc"
Religious Talk	"Rel Talk"
Personality	"Persnlty"
Public	"Public"
College	"College"
Spanish Talk	"Habl Esp"
Spanish Music	"Musc Esp"
Hip-Hop	"Hip hop"
Weather	"Weather"

Speech and music include the following types of programs.

Speech: Program type indicated by colored letters

Music: Program type indicated by black letters

4. **Press [◀◀] or [▶▶] to select a station.**

Exiting from the PTY mode.

Press [Q/↵].

▼ "NO PTY" display

- When the selected Program Type is not found, "No PTY" appears. Select another Program Type.

▼ Case where this function cannot be used

- This function cannot be used during reception of a traffic bulletin or AM broadcast.



12-1. About HD Radio™ Technology



This HD Radio receiver enables:

PSD

HD2/HD3

Digital Sound

iTunes® Tagging

PSD

- Program Service Data provides song name, artist, station ID, and other relevant data streams

HD2/HD3

- Adjacent to traditional main stations are HD2/HD3 Channels, providing new original formats on the FM dial

Digital Sound

- HD Radio broadcasts deliver crystal clear, CD-like digital audio quality to consumers

iTunes® Tagging

- iTunes Tagging provides users the means to "tag" broadcast radio content for later review and purchase from the iTunes Store
- HD Radio Technology manufactured under license from iBiquity Digital Corporation. U.S. and Foreign Patents. HD Radio™ and the HD, HD Radio, and "Arc" logos are proprietary trademarks of iBiquity Digital Corp.



12-2. Listening to the HD Radio tuner

Selecting a HD Radio source

1. Press [SRC].
Enters the Source selection mode.
2. Select a HD Radio ("HD RADIO") source using [Control] knob.

Selecting a band (FM or AM)

Press [▲].

Selecting a station

Press [◀◀] or [▶▶].

The seek mode can be changed. Refer to <Selecting a Seek mode> (refer to below), <[12-8. HD Radio tuner setting](#)>.

Selecting a Seek mode

Press [▼].

Display	Operation
"Auto1"	Automatic search for a station.
"Auto2"	Search in order of the stations in the preset memory.
"Manual"	Normal manual tuning.



12-3. Station preset memory

You can store a station in the memory.

1. Press [**◀◀**] or [**▶▶**] to select the channel.
2. Press [**Q/↵**].
Enter the Preset memory mode.
3. Turn [**Control**] knob to select a memory number (FM: "1" - "18", AM: "1" - "6").
4. Press and hold [**Control**] knob.

Exiting from the Preset memory mode

Press and hold [**Q/↵**].

▼ **About the Mix Station preset mode**

- If you press [**Q/↵**] twice in step 2, the Mix Station preset mode is selected with "Mixed Preset List" displayed.
In this mode, different bands and tuner sources (FM, AM, SiriusXM, HD Radio tuner etc.) can be saved in the same preset layer, which allows you to recall the desired station without switching between bands or tuner sources.
A maximum of six stations can be preset in the Mix Station preset mode.
Once the Mix Station preset mode is set, you can enter the same mode by just pressing [**Q/↵**] once in step 2.
Pressing [**Q/↵**] twice allows you to return to the normal Station preset mode.



12-4. Auto memory

You can automatically store 18 (FM)/ 6 (AM) stations with good reception in the memory.

- 1. Press [SRC] and select an HD Radio ("HD RADIO") source using [Control] knob.**
Refer to [<Source selection>](#).
- 2. Press [Control] knob.**
Enters the Function setting mode.
- 3. Select "Settings" > "Auto Memory" using [Control] knob.**
For how to use [Control] knob, refer to [<3-3. How to select the item>](#).
- 4. Select "YES" using [Control] knob.**
When 18 (FM)/ 6 (AM) stations that can be received are stored in the memory, the process in the Auto memory is completed.



12-5. Recall preset station

Recall the stations in the memory.

1. Press [▲] to select a band.
2. Press [Q/➔].
Enter the Preset memory mode.
3. Select a memory number (FM: "1" - "18", AM: "1" - "6") using [Control] knob.



12-6. iTunes tagging

You can store the tag of the information about the song being received, and send it to the connected iPod. You can easily find the song on the iTunes Store according to the tag sent to the iPod.

1. Press and hold [▲].

"TAG" will be indicated on the display when song information can be registered.

"TAG Storing" is indicated on the display while a tag is being stored in this unit. "TAG Stored" is indicated on the display after the tag has been stored.

When your iPod is connected to this unit, "TAG Transferred" is indicated on the display and the tag is sent to the iPod.

▼ How to use tags

- The song corresponding to the tag sent to the iPod is indicated in the playlist of the synchronized iTunes or iPod.
By clicking your desired song in the playlist, you can easily find it on the iTunes Store and buy it from the iTunes Store.

▼ While "TAG Storing" is displayed

- Do not switch the source or remove the iPod while "TAG Storing" is indicated.
TAG will not be saved and cause a communication error in this unit.

▼ Number of tags that can be stored

- A total of fifty song information tags can be stored in this unit including the song information tags stored by the SiriusXM tuner function mentioned in [<19-8. iTunes tagging>](#). When a tag has been sent to the iPod, the tag stored in this unit is cleared.

▼ iTunes tagging setting

- Select "ON" for "Tagging" as mentioned in [<12-8. HD Radio tuner setting>](#) when using this function.
- The memory usage can be checked by selecting the "TAG Memory" setting mentioned in [<12-8. HD Radio tuner setting>](#).
- When two iPods are connected, tags are sent to the iPod connected to the front USB terminal. To send tags to the iPod connected to the rear USB terminal, change the setting according to [<12-8. HD Radio tuner setting>](#).



12-7. Direct access tuning

(Function of remote control)

You can tune to a station directly by entering its frequency or channel.

1. Press [DIRECT] on the remote control.
"- - - -" appears and enter the Direct access tuning mode.
2. Press [DIRECT] on the remote control to Select a direct access tuning method.

Tuning method	Display
Frequency	"- - - -"
Channel	"HD -"
Exiting Direct Access Tuning	—

3. Press the number buttons on the remote control to enter the frequency or channel.
Example of frequency input:

Desired frequency	Press button
92.1 MHz (FM)	[9], [2], [1]
810 kHz (AM)	[8], [1], [0]

4. Press [ENT] on the remote control.

Exiting Direct access tuning mode

Press [↩] on the remote control.



12-8. HD Radio tuner setting

You can set the HD Radio tuner-related items.

1. Press [Control] knob.
Enters the Function setting mode.
2. Select "Settings" using [Control] knob.
3. Select a HD Radio tuner setting item using [Control] knob.

Display	Description
"IF Band"	Auto: Increases the tuner selectivity to reduce interference noises from adjacent stations. (Stereo effect may be lost.) Wide: Subjects to interference noises from adjacent stations, but sound quality will not be degraded and the stereo effect will remain.
"Seek Mode"	Sets the HD Radio seek mode. Auto1: Automatic search for a station. Auto2: Search in order of the stations in the preset memory. Manual: Normal manual tuning control.
"Receive Mode"	Sets the HD Radio receive mode. Auto: Automatically tunes to an analog broadcast when there is no digital broadcast. Digital: Digital broadcasts only. Analog: Analog broadcasts only.
"TAG Memory"	Displays the tag memory usage of the HD Radio tuner and SiriusXM tuner. Up to 50 tags can be registered in this unit.
"Tagging"	Turns ON / OFF the iTunes tag memory function of HD Radio tuner. "ON" / "OFF"

(Colored text: Factory setting)

4. Select a setting using [Control] knob.
Returns to the previous item.

Exiting from the Function setting mode

Press and hold [Q/↵].



13-1. Selecting a display type

Shown below are examples of display types.

1. **Press [Control] knob.**
Enters the Function setting mode.
2. **Select "DISP&ILLUMI" > "Display Select" > "Type Select" using [Control] knob.**
For how to use [Control] knob, refer to <3-3. [How to select the item](#)>.
3. **Select a Display type using [Control] knob.**

Display type	Display information
Type A	Displays 3 lines of text.
Type B	Displays 2 line of text.
Type C	Displays the clock.
Type D	Displays the Spectrum analysis[1]/Motion graphics[2].
Type E[3]	Turn off the display and key illumination. (5 seconds after completion of operation)

[1] Function of KDC-X997/ KDC-BT955HD.

[2] Function of KDC-X897/ KDC-BT855U/ KDC-X697/ KDC-655U/ KMR-555U.

[3] Function of KDC-X997/ KDC-BT955HD/ KDC-X897/ KDC-BT855U/ KDC-X697/ KDC-655U.

Exiting from the Function setting mode

Press and hold [Q/↵].



13-2. Information display setting

You can set the side and graphic parts of the display.

- 1. Press [Control] knob.**
Enters the Function setting mode.
- 2. Select "DISP&ILLUMI" > "Display Select" using [Control] knob.**
For how to use [Control] knob, refer to <3-3. [How to select the item](#)>.
- 3. Select a display setting item using [Control] knob.**

Display	Description
"Side Select"	Sets the side part display for Type A, B, and D. 1 / 2 / 3 (Type A, B only)
"Graphic Select" [1]	Sets the Type D Spectrum analysis display. 1 / 2
"Status"	Sets the status display (ON/OFF indicator for each function) for Type A and B. [2] "ON" / "OFF"

(**Colored text**: Factory setting)

[1] Function of KDC-X997/ KDC-BT955HD.

[2] The status display automatically turns "OFF" during aha source and cannot be switched to ON.

- 4. Select a setting using [Control] knob.**
Returns to the previous item.

Exiting from the Function setting mode

Press and hold [Q/↵].



13-3. Illumination color selection

(Function of KDC-X997/ KDC-BT955HD/ KDC-X897/ KDC-BT855U/ KDC-X697/ KDC-655U)

You can select the illumination color of the panel.

- 1. Press [Control] knob.**
Enters the Function setting mode.
- 2. Select "DISP&ILLUMI" > "Color Select" using [Control] knob.**
For how to use [Control] knob, refer to <3-3. How to select the item>.
- 3. Select a illumination part using [Control] knob.**

Display	Part
"Color SEL All"	All
"Color SEL Display"	Display
"Color SEL Key"	Button

- 4. Select a color ("Variable Scan"/ "Color1" — "Color24"/ "User") using [Control] knob.**

Exiting from the Function setting mode

Press and hold [Q/↵].



13-4. Adjusting the Illumination color

(Function of KDC-X997/ KDC-BT955HD/ KDC-X897/ KDC-BT855U/ KDC-X697/ KDC-655U)

You can adjust the illumination color of the panel.

1. Select the illumination color you want to adjust.

Select from among "Color1" to "Color24" or "User" with reference to [<13-3. Illumination color selection >](#).

2. Press and hold [Control] knob.

The RGB value of the selected illumination color is displayed and enters the Details color adjustment mode.

3. Set the color.

Operation type	Operation
To select the color to adjust (Red, Green, or Blue)	Press [◀◀] or [▶▶].
To adjust color (Range: 0 - 9)	Turn [Control] knob.
Determination of the adjusted color.	Press [Control] knob.

The color you created can be called by selecting "User".

Exiting from the Function setting mode

Press and hold [Q/↵].



13-5. Selecting a text display

You can change the information displayed on each of the following sources:

1. **Press [Control] knob.**
Enters the Function setting mode.
2. **Select "DISP&ILLUMI" > "Display Select" > "Text Select" using [Control] knob.**
For how to use [Control] knob, refer to <3-3. [How to select the item](#)>.
3. **Press [▲] or [▼] to select a text display part.**
The selected text display part blinks.
4. **Select a text display using [Control] knob.**

On Audio file/ iPod source

Information	Display
Song title*	"Song Title"
Album name*	"Album Name"
Artist name*	"Artist Name"
Title and Artist name**	"Title/Artist"
Album and Artist name**	"Album/Artist"
Folder name	"Folder Name"
File name	"File Name"
Play time	"P-Time"
Spectrum analysis and Clock ^[1]	"Speana/Clock"
Clock ^[2]	"Clock"
Date	"Date"
Blank	"Blank"

On Pandora source

Information	Display
Song title*	"Song Title"
Artist name*	"Artist Name"
Album name*	"Album name"
Title and Artist name**	"Title/Artist"
Album and Artist name**	"Album/Artist"
Station name	"Station Name"
Play time	"P-Time"
Spectrum analysis and Clock ^[1]	"Speana/Clock"
Clock ^[2]	"Clock"
Date	"Date"
Blank	"Blank"

On iHeartRADIO source

Information	Display
Station Name	"Station Name"
Song title*	"Song Title"
Artist name*	"Artist Name"
Title and Artist name**	"Title/Artist"
Spectrum analysis and Clock ^[1]	"Speana/Clock"
Clock ^[2]	"Clock"
Date	"Date"

Blank	"Blank"
-------	---------

On CD source

Information	Display
Disc title	"Disc Title"
Track title	"Track Title"
Play time	"P-Time"
Spectrum analysis and Clock ^[1]	"Speana/Clock"
Clock ^[2]	"Clock"
Date	"Date"
Blank	"Blank"

KDC-X997 **KDC-BT955HD**

On HD Radio tuner source

Information	Display
Frequency	"Frequency"
Station name	"Station Name"
Artist name*	"Artist Name"
Song title*	"Song Title"
Album name*	"Album Name"
Artist name and Song title**	"Artist/Title"
Artist name and Album name**	"Artist/Album"
Spectrum analysis and Clock	"Speana/Clock"
Date	"Date"
Blank	"Blank"

KDC-X897 **KDC-BT855U** **KDC-X697** **KDC-655U** **KMR-555U**

On Tuner source

Information	Display
Station name (FM)	"Station Name"
Radio text + (FM)	"Radio Text +"
Radio text (FM)	"Radio Text"
Clock	"Clock"
Date	"Date"
Blank	"Blank"
Frequency	"Frequency"
Song title (FM)*	"Song Title"
Artist name (FM)*	"Artist Name"
Title & Artist name (FM)**	"Title/Artist"

KDC-X997 **KDC-BT955HD** **KDC-X897** **KDC-BT855U**

On Bluetooth audio source

Information	Display
Play time	"P-Time"
Song title*	"Song Title"
Album name*	"Album Name"
Artist name*	"Artist Name"
Song title and Artist name**	"Title/Artist"
Album name and Artist name**	"Album/Artist"
Spectrum analysis and Clock ^[1]	"Speana/Clock"
Clock ^[2]	"Clock"

Date	"Date"
Blank	"Blank"

On Auxiliary input source

Information	Display
Source name	"Source Name"
Spectrum analysis and Clock[1]	"Speana/Clock"
Clock[2]	"Clock"
Date	"Date"
Blank	"Blank"

On Standby

Information	Display
Source name	"Source name"
Clock	"Clock"
Date	"Date"
Blank	"Blank"

On SiriusXM (Optional accessory) source

Information	Display
Channel number	"Channel Number"
Channel name	"Channel Name"
Artist name*	"Artist Name"
Song title*	"Song Title"
Content information*	"Content Info"
Artist name/Song title/Content information**	"Art/Song/Info"
Category name	"Category Name"
Spectrum analysis and Clock[1]	"Speana/Clock"
Clock[2]	"Clock"
Date	"Date"
Blank	"Blank"

[1] Function of KDC-X997/ KDC-BT955HD.

[2] Function of KDC-X897/ KDC-BT855U/ KDC-X697/ KDC-655U/ KMR-555U.

*Display type A only

**Display type B only

Exiting from the Function setting mode

Press and hold [Q/↵].

▼ Notes on text display

- If the selected display item does not have any information, alternative information is displayed.
- Setting is available when the display type is A or B which allows text display. Refer to <13-1. Selecting a display type>.
- Some items cannot be selected depending on the display type and row.
- If you select "Folder name" while playing music on the iPod, names will be displayed depending on the currently selected browsing items.
- If you select the APP & iPod Control mode while playing music on the iPod, "APP & iPod Mode" appears.
- If all characters cannot be displayed while music is played on the iPod, the file number in the list is displayed.

Information	Display
Music title	"TITLE***"
Folder name	"FLD***"
File name	"FILE***"


- Text display cannot be switched during aha source.



13-6. Display & Illumination setting

You can set the display and illumination.

1. **Press [Control] knob.**
Enters the Function setting mode.
2. **Select "DISP&ILLUMI" using [Control] knob.**
For how to use [Control] knob, refer to <3-3. How to select the item>.
3. **Select a Display & Illumination setting item using [Control] knob.**

Display	Description
"DISP ILLUMI OFF" ^[1]	When "Type E" (Display off) is selected in <13-1. Selecting a display type>, sets whether to turn off the display only or both the display and key illumination. "DISP&ILLUMI" / "DISP"
"Display Dimmer"	Dims the display part in conjunction with the Light switch of the vehicle. "Auto": Dims the display in conjunction with the Light switch of the vehicle. "Manual1": Dims the display constantly. "Manual2": Dims the display darker than that in the Manual1 mode. "OFF": Does not dim the display.
"Contrast"	Sets the display contrast. "1" - "10" - "30"
"DISP NEGA/POSI"	Switches the panel display between positive and negative modes. "NEGA1": Displays the text in the negative mode. "NEGA2": When the interior light is off, the text is displayed in the negative mode; when the interior light is on, the text is displayed in the positive mode. "POSI1": Displays the text in the positive mode. "POSI2": When the interior light is off, the text is displayed in the positive mode; when the interior light is on, the text is displayed in the negative mode.
"Text Scroll"	Sets the method of scrolling to view hidden texts. "Auto": Scrolls. "Once": Scrolls once. "OFF": Does not scroll.
"BT DVC Status" ^[2]	You can display the connection status, signal strength, and battery level.  : Battery level of cell phone.  : Signal strength of cell phone.
"ILLUMI Dimmer"	Reduces the key illumination brightness. "Auto": Dims the illumination in conjunction with the Light switch of the vehicle. "Manual1": Dims the illumination constantly. "Manual2": Dims the illumination darker than that in the Manual1 mode. "OFF": Does not dim the illumination.
"ILLUMI Effect"	Sets whether the key illumination is changed in conjunction with the key operation. "ON" / "OFF"
"ILLUMI MSC SYNC" ^[3]	Sets whether the key illumination color is changed in conjunction with the sound volume. "ON" / "OFF"

(Colored text: Factory setting)

^[1] Function of KDC-X997/ KDC-BT955HD/ KDC-X897/ KDC-BT855U/ KDC-X697/ KDC-655U.

^[2] Function of KDC-X997/ KDC-BT955HD/ KDC-X897/ KDC-BT855U.

^[3] Function of KDC-X997/ KDC-BT955HD.

4. **Select a setting using [Control] knob.**
Returns to the previous item.

Exiting from the Function setting mode

Press and hold [Q/↵].



14-1. Adjusting the date

1. **Press [Control] knob.**
Enters the Function setting mode.
2. **Select "Settings" > "Clock&Date" > "Date Adjust" using [Control] knob.**
For how to use [Control] knob, refer to <3-3. [How to select the item](#)>.
3. **Set the year using [Control] knob.**
4. **Set the month using [Control] knob.**
5. **Set the day using [Control] knob.**

Exiting from the Function setting mode

Press and hold [Q/↵].



14-2. Clock & date display type setting

You can set the display type of the clock and calendar.

1. **Press [Control] knob.**
Enters the Function setting mode.
2. **Select "Settings" > "Clock&Date" using [Control] knob.**
For how to use [Control] knob, refer to <3-3. How to select the item>.
3. **Select a Clock & Date setting item using [Control] knob.**

Display	Description
"Time Synchronized"	Synchronizes this unit's clock with the radio data system station's time data. "ON" / "OFF"
"Date Mode"	Sets the date display mode. 7 types

(Colored text: Factory setting)

4. **Select a setting using [Control] knob.**
Returns to the previous item.

Exiting from the Function setting mode

Press and hold [Q/↵].



14-3. Auxiliary input display setting

You can set the display when switched the AUX source.

1. Press [SRC] and select an Auxiliary Input ("AUX") source using [Control] knob.
Refer to <[Source selection](#)>.
2. Press [Control] knob.
Enters the Function setting mode.
3. Select "Settings" > "AUX Name Set" using [Control] knob.
For how to use [Control] knob, refer to <[3-3. How to select the item](#)>.
4. Select a display ("AUX", "DVD", "PORTABLE", "GAME", "VIDEO", or "TV") using [Control] knob.

Exiting from the Function setting mode

Press and hold [Q/↵].



14-4. Muting the audio upon reception of a phone call

Function of KDC-X697, KDC-655U, KMR-555U

The audio system automatically mutes when it receives an incoming call.

When a call comes in

"CALL" appears.

The audio system pauses.

Listening to the audio during a call

Press [SRC].

The "CALL" display disappears and the audio system comes back ON.

When the call ends

Hang up the phone.

The "CALL" display disappears and the audio system comes back ON.

▼ To use this function

- To use the TEL Mute feature, you need to hook up the MUTE wire to your telephone using a commercial telephone accessory. Refer to <Connecting wires to terminals> in Quick start guide.



14-5. Demonstration mode setting

You can turn on/off the demonstration mode.

- 1. Press [Control] knob.**
Enters the Function setting mode.
- 2. Select "DEMO Mode" using [Control] knob.**
For how to use [Control] knob, refer to <3-3. How to select the item>.
- 3. Select a setting ("ON" or "OFF") using [Control] knob.**
Returns to the previous item.

Exiting from the Function setting mode

Press and hold [Q/↵].



14-6. Initial settings

You can configure initial settings of this unit.

1. Press [SRC] and select a Standby ("STANDBY") using [Control] knob.
Refer to <Source selection>.
2. Press [Control] knob.
Enters the Function setting mode.
3. Select "Initial Settings" using [Control] knob.
For how to use [Control] knob, refer to <3-3. How to select the item>.
4. Select an Initial setting item using [Control] knob.

Display	Description
"SRC Select"	Set source selection method. "1": The source switches each time [SRC] is pressed. "2": Press [SRC], Turn [Control] knob to select the source, and then press [Control] knob to determine it.
"Key Beep"	Setting the operation check sound (beep sound) ON/OFF. "ON" / "OFF"
"Function Language"	Changes the display language of items displayed in the Function setting mode. "English" / "Français" / "Español"
"Pandora Source"	Sets whether to display Pandora during source selection. "ON" / "OFF"
"iHeartRADIO Source"	Sets whether to display iHeartRADIO during source selection. "ON" / "OFF"
"aha Source"[2]	Sets whether to display aha during source selection. "ON" / "OFF"
"Built-in AUX"	Sets whether to display AUX during source selection. "ON" / "OFF"
"CD Read"	Sets the method for reading CD. When unable to play a special format CD, set this setting to "2" to force playing. Note that some music CDs may be unplayable even when set to "2". In addition, audio files cannot be played when set to "2". Normally, keep this set to "1". 1: Automatically distinguishes between the audio file disc and music CD when playing a disc. 2: Forces playing as a music CD.
"TAG Transfer Setup"	When iPods are connected to both the front and rear USB terminals, select the iPod to which the tag stored through iTunes tagging is to be transferred. "FRONT" / "REAR"
"Built-in AMP"	Selecting "OFF" turns off the built-in amplifier. Turning off the built-in amplifier improves the quality of the sound from Preout. "ON" / "OFF"
"Speaker Select"[1]	Sets the speaker type so that the System Q value is optimal. "OFF": OFF "5/4inch": For 5 & 4 in. speaker "6x9/6inch": For 6 & 6x9 in. speaker "O.E.M.": For the OEM speaker
"F/W Update"	Upgrades the firmware. Selecting "YES" and then pressing [Control] knob starts upgrading the firmware. For how to update the firmware, access our web site. www.kenwood.com/cs/ce/

(Colored text: Factory setting)

[1] Function of KDC-X897/ KDC-BT855U/ KDC-X697/ KDC-655U/ KMR-555U.

[2] Function of KDC-X997/ KDC-BT955HD/ KDC-X897/ KDC-BT855U.

5. Select a setting using [Control] knob.
Returns to the previous item.

Exiting from the Function setting mode

Press and hold [Q/↵].



15-1. About the Bluetooth module

This unit conforms to the following Bluetooth specifications:

Version

- Bluetooth Ver. 2.1+EDR Certified

Profile

- HFP (Hands Free Profile)
- SPP (Serial Port Profile)
- PBAP (Phonebook Access Profile)
- OPP (Object Push Profile)
- A2DP (Advanced Audio Distribution Profile)
- AVRCP (Audio/Video Remote Control Profile)

For the cell phones verified for compatibility, access the following URL:

www.kenwood.com/cs/ce/bt/

Notes

- The units supporting the Bluetooth function have been certified for conformity with the Bluetooth Standard following the procedure prescribed by Bluetooth SIG. However, it may be impossible for such units to communicate with your cell phone depending on its type.
- HFP is a profile used to make a hands-free call.
- OPP is a profile used to transfer data such as a phone book between units.



15-2. Registering a Bluetooth device

You can register your Bluetooth device in this unit.

1. Start registering a unit by operating the Bluetooth device.

Operate the Bluetooth device to request this unit for connection.

The name of this unit ("KDC-####") is displayed on the Bluetooth device.

When "Pairing Press the volume knob" appears on this unit, operate step2.

2. Press [Control] knob.

Pairing starts. When pairing is completed, "Pairing Success" appears.

Some Bluetooth device requests you to enter a PIN code. The PIN code is set to "0000" as default.

▼ Bluetooth module that can be used with this unit

- For details on the Bluetooth cell phone with the hands-free function, see [<15-1. About the Bluetooth module>](#).

▼ Registration of iPod touch or iPhone

- This unit is compatible with an Apple Auto Pairing function. Connecting the iPod touch or iPhone to this unit with a Dock Connector to USB cable will automatically register it as a Bluetooth device. If you do not register it, select "OFF" for "Auto Pairing" according to [<18-6. Bluetooth detail setting>](#).

▼ When registration is impossible

- If there are 5 Bluetooth devices registered, you cannot register a new Bluetooth device.
- When any error code is displayed while the pairing is in progress, refer to [<22-3. Error messages>](#).

▼ When SMS is received

- When the connected Bluetooth device receives SMS, "SMS Received" appears on this unit.



15-3. Selecting the Bluetooth device you wish to connect

When two or more Bluetooth devices have already been registered, you need to select the Bluetooth device you wish to use.

1. Press [↵].
"BT MODE" appears and enter the Bluetooth mode.
2. Select "Settings" > "Pairing" > "Phone Selection" (to select the cell phone) or "Audio Selection" (to select the audio player) using [Control] knob.
For how to use [Control] knob, refer to <3-3. How to select the item>.
"(name)" appears.
3. Select a Bluetooth device using [Control] knob.
'*(name)' or '-(name)' is displayed.
"*": The selected Bluetooth device is busy.
"-": The selected Bluetooth device is on standby.
" " (blank): The Bluetooth device is deselected.

Exiting from the Bluetooth mode

Press [↵].

▼ When no device can be selected

- If a cell phone is already selected, deselect it, and then select a different one.
- If you cannot select a device using the audio player, connect the device with the audio player.



15-4. Deleting a registered Bluetooth device

You can delete a registered Bluetooth device.

1. Press [↵].
"BT MODE" appears and enter the Bluetooth mode.
2. Select **"Settings" > "Pairing" > "Device Delete"** using [Control] knob.
For how to use [Control] knob, refer to <3-3. [How to select the item](#)>.
"(name)" appears.
3. Select a **Bluetooth device** using [Control] knob.
4. Select **"YES"** using [Control] knob.
"Completed" appears.

Exiting from the Bluetooth mode

Press [↵].

- ▼ **When a registered device is deleted**
 - When a registered cell phone is deleted, its phone Book and log are also deleted.



15-5. Bluetooth device registration test

You can check whether a Bluetooth device can be registered by operating this unit.

1. **Press [↵].**
"BT MODE" appears and enter the Bluetooth mode.
2. **Select "BT Test Mode" using [Control] knob.**
For how to use [Control] knob, refer to <3-3. [How to select the item](#)>.
3. **Start registering a unit by operating the Bluetooth device.**
"Please pairing your phone" appears.
Operate the Bluetooth device to request this unit for connection.
The name of this unit ("KDC-####") is displayed on the Bluetooth device.
Some Bluetooth device requests you to enter a PIN code. The PIN code is set to "0000" as default.
4. **Press [Control] knob.**
When pairing is completed successfully, a connection test starts automatically.
When the connection test is completed, test results are displayed on a function basis ("OK": Enabled; "NG": Disabled).

Display	Description
"Pairing"	Registration in this unit
"HF Connect"	Hands-free phoning
"AUD Connect"	Audio playback
"PB Download"	Phone Book downloading

5. **Press [Control] knob.**
Exits the test mode.



16-1. Receiving a call

You can answer a phone call

Press [].

▼ Either of the following operations will disconnect the line.

- Inserting a CD.
- Connecting a USB device.

Rejecting an incoming call

Press [SRC].



16-2. Calling a number in the phone book

1. Press [↵].
"BT MODE" appears and enter the Bluetooth mode.
2. Select "Phone Book" using [Control] knob.
For how to use [Control] knob, refer to <3-3. How to select the item>.
3. Turn [Control] knob to select a name, and then press [Control] knob.
4. Turn [Control] knob to select a phone number.
5. Press [↵].
Makes a call.

▼ When there is no phone book

- If the phone book has not yet been downloaded automatically, download it according to <18-2. Downloading the phone book>.

▼ Display of phone book

- During search, a non-accent character such as "u" is searched for instead of an accent character such as "ü".



16-3. Dialing a number

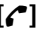



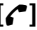
1. Press [📞].
"BT MODE" appears and enter the Bluetooth mode.
2. Select "Number Dial" using [Control] knob.
For how to use [Control] knob, refer to <3-3. How to select the item>.
3. Enter a phone number.

Operation type	Operation
Selection of number	Turn [Control] knob.
Selection of digit	Press [◀] or [▶].

4. Press [📞].
Makes a call.
- ▼ **Number of digits that can be input**
- You can input a maximum of 32 digits.



16-4. Calling a number in the call log

1. Press .
"BT MODE" appears and enter the Bluetooth mode.
2. Select "Call History" using [Control] knob.
For how to use [Control] knob, refer to <3-3. How to select the item>.
3. Turn [Control] knob to select a name and phone number.
 -  : Incoming calls
 -  : Outgoing calls
 -  : Missed callsPressing [Control] knob toggles between the name list and detailed display.
4. Press .
Makes a call.



16-5. Speed dialing (Preset dial)

1. Press .
"BT MODE" appears and enter the Bluetooth mode.
2. Select "Preset Call" using [Control] knob.
For how to use [Control] knob, refer to [<3-3. How to select the item>](#).
3. Turn [Control] knob to select a recall number ("P1" - "P6").
4. Press .
Makes a call.

▼ Registration of dial number

- You need to register the preset dial number. Refer to [<16-6. Registering in the preset dial number list >](#).



16-6. Registering in the preset dial number list

1. Press [**⏏**].
"BT MODE" appears and enter the Bluetooth mode.
2. Enter the phone number you wish to register
Enter the phone number with reference to the following:
<16-3. Dialing a number>
<16-4. Calling a number in the call log>
<16-2. Calling a number in the phone book>
3. Press and hold [Control] knob.
4. Turn [Control] knob to select a memory number ("P1" - "P6").
5. Press and hold [Control] knob.

Exiting from the Bluetooth mode

Press [**⏏**].



16-7. During a call

Disconnecting a call

Press [**⏏**].

Switching to the Private mode

Press [**⏪**] or [**⏩**].

Pressing this knob each time switches between the private talk mode ("PRIVATE") and hands-free talk mode.

▼ When the previous source is restored in the Private mode

- Depending on the type of your cell phone, switching to the private talk mode may select the source that was used before commencing the hands-free connection. If this happens, the source cannot be switched back to the hands-free talk mode by operating this unit. Operate your cell phone to return to the hands-free talk mode.

Adjusting the voice volume during a call

Turn [**Control**] knob.



16-8. Clearing the disconnection message

1. Press [↵].
"HF Disconnect" disappears.



16-9. Voice Control






This unit can access the voice recognition function of the connected cell phone. You can search the phone book by voice. (The function depends on the cell phone.)

- 1. Press and hold [V].**
"Voice Control" appears and enter the Voice control mode.
- 2. Start speaking.**
Speak a voice tag, etc. registered in the cell phone.



16-10. Display of phone number types (categories)

The category items in the phone book are displayed as follows:

Display	Information
"General" / 	General
"Home" / 	Home
"Office" / 	Office
"Mobile" / 	Mobile
"Other" / 	Other



17-1. Before use

- You need to register your Bluetooth audio player before using it with this unit. For more details, see <[15-2. Registering a Bluetooth device](#)>.
- You need to select the Bluetooth audio player you wish to connect. Refer to <[15-3. Selecting the Bluetooth device you wish to connect](#)>.



17-2. Basic operations

Selecting a Bluetooth audio source

1. Press [SRC].
Enters the Source selection mode.
2. Select a Bluetooth audio ("BT AUDIO") source using [Control] knob.
Refer to <Source selection>.

Pause and play a song

Press and hold [Q/↵].

Selecting a song

Press [⏮] or [⏭] button.

Fast-forwarding or fast-backwarding a song

Press and hold [⏮] or [⏭].

Selecting an audio file folder

Press [▲] or [▼] button.

▼ Preparation for using the Bluetooth audio player

- All or some of the operations above cannot be performed if the Bluetooth audio player is not ready for remote control.
- Switching between Bluetooth audio sources does not start or stop playback automatically. Perform the operation for starting or stopping playback.
- Some audio players cannot be controlled remotely or reconnected after Bluetooth disconnection. Operate the main unit of the audio player to connect a Bluetooth device.



17-3. Playback mode

You can select a playback mode, such as Random play and Repeat play.

1. Press [SRC] and select a Bluetooth audio ("BT AUDIO") source using [Control] knob.
Refer to <Source selection>.
2. Press [Control] knob.
Enters the Function setting mode.
3. Select "Play Mode" using [Control] knob.
For how to use [Control] knob, refer to <3-3. How to select the item>.
4. Select a playback mode function using [Control] knob.

Display	Description
"Random"	When set to "ON", plays the songs randomly. <input checked="" type="checkbox"/> (ON) / <input type="checkbox"/> (OFF)
"All Random"	When set to "ON", plays the all songs randomly. <input checked="" type="checkbox"/> (ON) / <input type="checkbox"/> (OFF)
"File Repeat"	When set to "ON", plays the select songs repeatedly. <input checked="" type="checkbox"/> (ON) / <input type="checkbox"/> (OFF)
"All Repeat"	When set to "ON", plays the all songs repeatedly. <input checked="" type="checkbox"/> (ON) / <input type="checkbox"/> (OFF)

5. Press [Control] knob.
The setting is changed.

Exiting from the Function setting mode

Press and hold [Q/↶].

▼ Available functions

- The available playback functions differ depending on the type of the connected Bluetooth audio player.



18-1. Registering the PIN code

By operating the Bluetooth device, specify the PIN code necessary for registering this unit.

1. **Press [↵].**
"BT MODE" appears and enter the Bluetooth mode.
2. **Select "Settings" > "Detailed Settings" > "PIN Code Edit" using [Control] knob.**
For how to use [Control] knob, refer to <3-3. [How to select the item](#)>.
3. **Input the PIN code**

Operation type	Operation
Selection of numbers	Turn [Control] knob.
Movement to the next digit	Press [▶▶].
Deletion of the last digit	Press [◀◀].
Transmission of PIN code	Press [Control] knob.

If "Completed" appears and registration is complete.

Exiting from the Bluetooth mode

Press [↵].

▼ Notes on PIN code input

- By default, "0000" is specified.
- A PIN code can be specified with up to eight digits.



18-2. Downloading the phone book

If the phone book is not downloaded automatically to this unit to which a cell phone – which is not compatible with PBAP – is connected, download it in the following manner:

1. Press [↵].
"BT MODE" appears and enter the Bluetooth mode.
2. Select "Settings" > "Transfer Phonebook" using [Control] knob.
For how to use [Control] knob, refer to <3-3. [How to select the item](#)>.
When downloading starts, "Downloading ###" appears.
When downloading is completed, "Completed" appears.

Exiting from the Bluetooth mode

Press [↵].

- ▼ **Maximum number of phone numbers that can be registered**
 - Of all registered mobile phones, a total of 400 phone numbers can be registered.
 - Up to 32 digits can be registered for each phone number along with up to 32* characters representing a name.
(*32: Number of alphabetical characters. Fewer characters can be input depending on the type of characters.)
- ▼ **Cancellation of downloading**
 - To cancel downloading of the phone book data, operate the cell phone.



18-3. Deleting the phone book

You can delete the phone book stored in this unit to which a cell phone – which is not compatible with PBAP – is connected.

1. **Press [↵].**
"BT MODE" appears and enter the Bluetooth mode.
2. **Select "Phone Book" using [Control] knob.**
For how to use [Control] knob, refer to <3-3. [How to select the item](#)>.
3. **Turn [Control] knob to select the name to be deleted.**
4. **Press and hold [Control] knob.**
5. **Select the item to be deleted using [Control] knob.**

Display	Item to be deleted
"Delete Name"	All phone numbers registered for the selected name are deleted.
"Delete Number"	One of the phone numbers registered for the selected name is deleted.
"Delete All"	All phone numbers registered in the phone book are deleted.

When you selected "Delete Number", next select the number you want to delete using [Control] knob.

6. **Select "YES" using [Control] knob.**
"Completed" appears.

Exiting from the Bluetooth mode

Press [↵].



18-4. Displaying the firmware version

You can view the version of the firmware of this unit.

1. Press [**↶**].
"BT MODE" appears and enter the Bluetooth mode.
2. Select **"Settings" > "Detailed Settings" > "BT F/W Update"** using [Control] knob.
For how to use [Control] knob, refer to <3-3. How to select the item>.
The firmware version appears.

Exiting from the Bluetooth mode

Press [**↶**].

▼ How to update

- For how to update the firmware, access our web site.
www.kenwood.com/cs/ce/bt/



18-5. Switching between two connected cell-phones

When two Bluetooth devices are connected, you can assign the Bluetooth device to be used in priority to the other Bluetooth device.

1. Press [**↵**].
"BT MODE" appears and enter the Bluetooth mode.
2. Select "Device Priority" using [Control] knob.
For how to use [Control] knob, refer to <3-3. [How to select the item](#)>.
3. Select a "Sub -###-" using [Control] knob.
"Main": Device used normally.
"Sub": Device used only for call reception.
4. Press [Control] knob.

Exiting from the Bluetooth mode

Press [**↵**].



18-6. Bluetooth detail setting

You can configure the initial settings of this unit.

1. Press [**↶**].
"BT MODE" appears and enter the Bluetooth mode.
2. Select "Settings" > "Detailed Settings" using [Control] knob.
For how to use [Control] knob, refer to <3-3. How to select the item>.
3. Select a Bluetooth detail setting item using [Control] knob.

Display	Description
"Auto Answer"	Automatically answers a call after lapse of the preset time interval. "OFF": Does not answer the phone call automatically. "1SEC" - "8SEC" - "99SEC": Automatically answers the phone call after lapse of 1 - 99 seconds.
"Auto Reconnect"	When set to "ON", starts re-pairing with the registered Bluetooth device automatically when it becomes unpaired. "ON" / "OFF"
"Auto Pairing"	When set to "ON", the Apple Auto Pairing function is turned on to automatically register the iPod touch or iPhone connected to this unit. "ON" / "OFF"
"Bluetooth HF/Audio"	Specifies the output speakers for hands-free voice communication and Bluetooth audio sound. "Front": Outputs sound from the front speakers. "All": Outputs sound from the front and rear speakers.
"Call Beep"	Sets whether to output a beep from the speaker when a call comes in. "ON": Outputs a beep. "OFF": Does not output a beep.
"MIC Gain"	Adjusts the sensitivity of the microphone for telephone call or adjusts the voice of the caller. "-20" - "0" - "+8"
"Echo Cancel Level"	Sets the echo cancellation level. "1" - "4" - "10"

(Colored text: Factory setting)

4. Select a setting using [Control] knob.
Returns to the previous item.

Exiting from the Bluetooth mode

Press [**↶**].



19-1. Before use

- SiriusXM Satellite Radio operation requires the connection of the optional SiriusXM-Connect Vehicle Tuner. To activate the SiriusXM Vehicle Connect tuner, you will need the Radio ID.

Make a note of your Radio ID

For each SiriusXM Vehicle Connect tuner, a unique Radio ID is assigned. To confirm your Radio ID, tune to channel 0. The letters I, O, S and F are not used in any Radio ID. The Radio ID is also located on the label of the SiriusXM Connect Vehicle Tuner.

How to activate your SiriusXM Service

Go to www.siriusxm.com/activatenow or call 1-866-635-2349 to activate your SiriusXM Vehicle Connect Tuner.

To activate SiriusXM Canada service go to www.xmradio.ca and click on "ACTIVATE RADIO" in the top right corner, or call 1-877-438-9677



19-2. Listening to the SiriusXM™ Satellite Radio

Selecting a tuner source

1. Press [SRC].
Enters the Source selection mode.
2. Select a SiriusXM ("SiriusXM") source using [Control] knob.

Selecting a channel

Press [◀◀] or [▶▶].

The seek mode can be changed. Refer to <Selecting a Seek mode> (refer to below).

Selecting a Seek mode

Press [▼].

Display	Operation
"Channel"	Normal manual seeking.
"Preset"	Searches in order of the channels in the preset memory.

Station preset memory

1. Press [◀◀] or [▶▶] to select the station.
2. Press [Q/↵] twice.
3. Turn [Control] knob to select a memory number ("1" - "24").
4. Press and hold [Control] knob.

Recalling the stations in the memory

1. Press [Q/↵] twice..
2. Select a preset number "1" - "24") using [Control] knob.

▼ About Smart Favorites

- Data for Replay is automatically stored in the station memory number 1 though 6. (Smart Favorites function)

Smart Favorites brings the following experience;

- Can replay the long duration of radio content stored immediately after tuning in to the station registered to the station preset memory. (refer to <19-17.SiriusXM Replay™>)
- Tune Start™ (refer to <19-6. Tune Start™>)

However, the Smart Favorites function may not be available depending on the system configuration. In this case, the "Tune Start" items do not appear on the Function setting. Refer to <19-20. SiriusXM tuner setting>.



19-3. Category and channel search

You can select the channel and category you want to receive.

1. **Press [Q/↵].**
"Category Search" appears and enter the Category and Channel search mode.
2. **Select a category using [Control] knob.**
For how to use [Control] knob, refer to <3-3. How to select the item>.
3. **Select a channel using [Control] knob.**

Exiting the Category and Channel search mode

Press and hold [Q/↵].

▼ **Until channel selection is enabled**

- You cannot search for a channel until the category information is acquired.



19-4. Channel preset memory

You can store a channel in the memory.

1. Press [**◀◀**] or [**▶▶**] to select the channel.
2. Press [**Q/↵**] twice.
Enter the Preset memory mode.
3. Turn [**Control**] knob to select a memory number ("1" - "24").
4. Press and hold [**Control**] knob.

Exiting from the Preset memory mode

Press and hold [**Q/↵**].

▼ **About the Mix Station preset mode**

- If you press [**Q/↵**] three times in step 2, the Mix Station preset mode is selected with "Mixed Preset List" displayed.
In this mode, different bands and tuner sources (FM, AM, SiriusXM, HD Radio tuner etc.) can be saved in the same preset layer, which allows you to recall the desired station without switching between bands or tuner sources.
A maximum of six stations can be preset in the Mix Station preset mode.



19-5. Preset tuning

Recalling a channel from the memory.

- 1. Press [Q/↵] twice.**
Enter the Preset memory mode.
- 2. Select a memory number ("1" - "24") using [Control] knob.**
Enter the Preset memory mode.

Exiting from the Preset memory mode

Press and hold [Q/↵].



19-6. Tune Start™

When tuning stations using the first 1-6 presets, songs will play from the beginning of each track if Tune Start is enabled.

Refer to "Tune Start" of [<19-20. SiriusXM tuner setting>](#).

▼ Note

- Tune Start may take a few minutes to operate after a power cycle.



19-7. Direct access tuning

(Function of remote control)

You can search for a channel directly by entering its number.

1. Press [DIRECT] on the remote control.
2. Press the number buttons on the remote control to enter the frequency.
3. Press [ENT] on the remote control.

Exiting from the Direct access tuning mode

Press [↩] on the remote control.

▼ **Automatic cancellation**

- If you operate no button for 10 seconds, the Direct Access Tuning mode is automatically canceled.



19-8. iTunes tagging

You can store the tag of the information about the song being received, and send it to the connected iPod. You can easily find the song on the iTunes Store according to the tag sent to the iPod.

1. Press and hold [▲].

"TAG" will be indicated on the display when song information can be registered.

"TAG Storing" is indicated on the display while a tag is being stored in this unit. "TAG Stored" is indicated on the display after a tag is stored.

When your iPod is connected to this unit, "TAG Transferred" is shown on the display and a tag is sent to the iPod.

▼ Effective use of iTunes

- The song corresponding to the tag sent to the iPod is indicated in the playlist ("Tagged") of the synchronized iTunes. By clicking your desired song in the playlist, you can easily find it on the iTunes Store and buy it from the iTunes Store.

▼ While "TAG Storing" is displayed

- Do not switch the source or remove the iPod while "TAG Storing" is indicated. TAG will not be saved and cause a communication error in this unit.

▼ Number of tags that can be stored

- A total of fifty song information tags can be stored in this unit including the song information tags stored by the function of the HD Radio tuner function mentioned in [<12-6. iTunes tagging>](#). When a tag has been sent to the iPod, the tag stored in this unit is cleared.
- The memory usage can be checked by selecting the "TAG Memory" setting mentioned in [<19-20. SiriusXM tuner setting>](#).

▼ Preparation for iTunes tagging

- Select "ON" for "Tagging" as mentioned in [<19-20. SiriusXM tuner setting>](#) when using this function.



19-9. Parental Lock setting

You can turn on/off Parental Lock for each channel.

1. **Press [SRC] and select a SiriusXM ("SiriusXM") source using [Control] knob.**
Refer to [<Source selection>](#).
2. **Press [Control] knob.**
Enters the Function setting mode.
3. **Select "Settings" > "Parental Lock" using [Control] knob.**
For how to use [Control] knob, refer to [<3-3. How to select the item>](#).
4. **Enter the pass code.**

Operation type	Operation
Selection of numbers.	Turn [Control] knob.
Determination of the selected numbers.	Press [Control] knob.
Selection of column	Press [◀] or [▶].
Deletion of all numbers	Press and hold [◀].

5. **Select "Lock CH Edit" using [Control] knob.**
A category list is displayed.
6. **Select the category of the channel subject using [Control] knob.**
The list of the channels in the selected category is displayed.
7. **Select a channel using [Control] knob.**
Parental Lock for the selected channel is turned on and off alternately each time you press [Control] knob.
"🔒" is indicated for the selected channel.

Exiting from the Function setting mode

Press and hold [Q/↵].

▼ **Pass code setting**

- The pass code is set to "0000" as default.
For how to change the pass code, refer to [<19-12. Parental Lock pass code setting>](#).

▼ **When the "Lock CH Edit" item is not displayed**

- The mature content setting may be turned ON. Refer to [<19-11. Setting Parental Lock for Mature content>](#).

▼ **Listening to the channel for which Parental Lock is turned on**

- If a channel for which Parental Lock is turned on is selected, a pass code input screen appears.
Programs on the selected channel can be received only when the input pass code is correct.



19-10. Clearing the Parental Lock setting

You can clear the Parent Lock setting for each channel.

1. **Press [SRC] and select a SiriusXM ("SiriusXM") source using [Control] knob.**
Refer to [<Source selection>](#).
2. **Press [Control] knob.**
Enters the Function setting mode.
3. **Select "Settings" > "Parental Lock" using [Control] knob.**
For how to use [Control] knob, refer to [<3-3. How to select the item>](#).
4. **Enter the pass code**

Operation type	Operation
Selection of numbers.	Turn [Control] knob.
Determination of the selected numbers.	Press [Control] knob.
Selection of column	Press [◀] or [▶].
Deletion of all numbers	Press and hold [◀].

5. **Select "Lock CH All Clear" using [Control] knob.**
6. **Select "Yes" using [Control] knob.**
"Completed" appears.

Exiting from the Function setting mode

Press and hold [**Q/↵**].

▼ Pass code setting

- The pass code is set to "0000" as default.

▼ When the "Lock CH Edit" item is not displayed

- The mature content setting may be turned ON. Refer to [<19-11. Setting Parental Lock for Mature content>](#).



19-11. Setting Parental Lock for Mature content

You can turn on/off Parental Lock for the adult channels assigned by SiriusXM.

1. **Press [SRC] and select a SiriusXM ("SiriusXM") source using [Control] knob.**
Refer to [<Source selection>](#).
2. **Press [Control] knob.**
Enters the Function setting mode.
3. **Select "Settings" > "Parental Lock" using [Control] knob.**
For how to use [Control] knob, refer to [<3-3. How to select the item>](#).
4. **Enter the pass code**

Operation type	Operation
Selection of numbers.	Turn [Control] knob.
Determination of the selected numbers.	Press [Control] knob.
Selection of column	Press [◀] or [▶].
Deletion of all numbers	Press and hold [◀].

5. **Select "Mature Set" using [Control] knob.**
6. **Select "ON" using [Control] knob.**
Selecting "OFF" will turn off the Mature setting.

Exiting from the Function setting mode

Press and hold [**Q/↵**].

▼ Pass code setting

- The pass code is set to "0000" as default.

▼ Listening to the channel for which Parental Lock is turned on

- If a Mature channel is selected with the Mature setting turned on, the pass code input screen appears. Programs on the selected channel can be received only when the pass code is correct.



19-12. Parental Lock pass code setting

You can set a new pass code for Parental Lock setting.

1. **Press [SRC] and select a SiriusXM ("SiriusXM") source using [Control] knob.**
Refer to <Source selection>.
2. **Press [Control] knob.**
Enters the Function setting mode.
3. **Select "Settings" > "Parental Lock" using [Control] knob.**
For how to use [Control] knob, refer to <3-3. How to select the item>.
4. **Enter the pass code**

Operation type	Operation
Selection of numbers.	Turn [Control] knob.
Determination of the selected numbers.	Press [Control] knob.
Selection of column	Press [◀] or [▶].
Deletion of all numbers	Press and hold [◀].

5. **Select "Passcode Set" using [Control] knob.**
"Enter new code" appears.
6. **Enter a new pass code in the same manner as in step 4.**
7. **Enter the same pass code as that entered in step 6.**
The old pass code is changed to the new one and "Completed" appears.

Exiting from the Function setting mode

Press and hold [Q/↵].

▼ Pass code setting

- The pass code is set to "0000" as default.



19-13. Setting the Song and Artist Alerts

When the broadcast of the song by the registered artist or the broadcast of the registered song starts, a message appears to allow you to switch the current source to the desired channel, even though the receiving source is other than SiriusXM Satellite Radio.

Registering content

1. **Receive the content you wish to register.**
2. **Press and hold [Control] knob.**
3. **Select a content type using [Control] knob.**
"Store Artist?": Store artist information.
"Store Song?": Store song information.
"Artist Stored" or "Song Stored" appears.

▼ **Number of content alerts that can be stored**

- You can register a total of 50 types of content including both artists and songs.

When a Song or Artist Alerts occurs

1. A content alert message is displayed.

When multiple content alerts occur, a content name is displayed one after another. The previous content name can be displayed and selected by the operation in step 3.

A content alert message is displayed for five seconds from the last content alert.

The following switching operation to your desired content can be performed while the message is being displayed.

2. Press [Control] knob.

3. Select the content using [Control] knob.

The current source switches to the channel that is broadcasting the selected content.

▼ **When the Song or Artist is not displayed**

- The Content Alert message is not displayed, when operating in various modes: Bluetooth mode (<16-1. Receiving a call>), Audio Control mode (<4-1. Audio control>, <5-1. Audio control>), Function setting mode (<19-20. SiriusXM tuner setting>), etc.
- A Content Alert occurred can be selected from "My Music" category <19-3. Category and channel search>.

Exiting Content Alert mode

Press [Q/↵].



19-14. Song or Artist setting

You can turn on/off the content alert function.

1. Press [SRC] and select a SiriusXM ("SiriusXM") source using [Control] knob.
Refer to [<Source selection>](#).
2. Press [Control] knob.
Enters the Function setting mode.
3. Select "Settings" > "Content Alert" > "Alert Set" using [Control] knob.
For how to use [Control] knob, refer to [<3-3. How to select the item>](#).
4. Select "ON" or "OFF" using [Control] knob.

Exiting from the Function setting mode

Press and hold [Q/↵].



19-15. Editing a Song or Artist item

You can enable or disable the registered content alert item individually.

- 1. Press [SRC] and select a SiriusXM ("SiriusXM") source using [Control] knob.**
Refer to [<Source selection>](#).
- 2. Press [Control] knob.**
Enters the Function setting mode.
- 3. Select "Settings" > "Content Alert" > "Alert Item Edit" using [Control] knob.**
For how to use [Control] knob, refer to [<3-3. How to select the item>](#).
- 4. Select a content type using [Control] knob.**
"Artists": Set artist information.
"Songs": Set song information.
- 5. Select a setting using [Control] knob.**
The selected Content Alert item is selected and deselected alternately each time you press [Control] knob.
"*" is indicated for the selected item name.

Exiting from the Function setting mode

Press and hold [Q/↵].



19-16. Delete a Song or Artist item

You can delete the registered Content Alert item.

- 1. Press [SRC] and select a SiriusXM ("SiriusXM") source using [Control] knob.**
Refer to [<Source selection>](#).
- 2. Press [Control] knob.**
Enters the Function setting mode.
- 3. Select "Settings" > "Content Alert" > "Alert Item Delete" using [Control] knob.**
For how to use [Control] knob, refer to [<3-3. How to select the item>](#).
- 4. Select a content type using [Control] knob.**
"Song Delete": Delete song information.
"Artist Delete": Delete artist information.
"All Delete": Delete all Content Alert items. Proceed to step 6.
- 5. Select the Content Alert item using [Control] knob.**
- 6. Select "Yes" using [Control] knob.**
"Completed" appears.

Exiting from the Function setting mode

Press and hold [Q/↵].



19-17. SiriusXM Replay™

You can replay up to the last 60 minutes broadcasting of current channel.

1. Press [▲].

Enter the Replay mode.

The "REP" indicator stays lit during Replay mode.

Search for the position to replay by the following operation.

Operation type	Operation
Pause and play	Press and hold [Q/⏸].
Music search	Press [⏮] or [⏭].
Fast forward or Fast backward	Press and hold [⏮] or [⏭].
Returns to the live play position.	Press [▼].

Exiting from the Replay mode.

Press [▲].

The "REP" indicator disappears.

▼ When the reception channel is changed

- The stored content of the current channel is erased upon receiving another channel.



19-18. Channel skip setting

You can register the channel you wish to skip.

1. **Press [SRC] and select a SiriusXM ("SiriusXM") source using [Control] knob.**
Refer to [<Source selection>](#).
2. **Press [Control] knob.**
Enters the Function setting mode.
3. **Select "Settings" > "Channel Skip" > "Skip CH Edit" using [Control] knob.**
For how to use [Control] knob, refer to [<3-3. How to select the item>](#).
4. **Select the category of the channel using [Control] knob.**
5. **Select the channel using [Control] knob.**
The selected channel skip setting is turned on and off alternately each time you press [Control] knob.
"*" is indicated for the selected item name.

Exiting from the Function setting mode

Press and hold [Q/↵].



19-19. Clearing the channel skip setting

You can clear the skip setting for all the selected channels together.

1. Press [SRC] and select a SiriusXM ("SiriusXM") source using [Control] knob.
Refer to [<Source selection>](#).
2. Press [Control] knob.
Enters the Function setting mode.
3. Select "Settings" > "Channel Skip" > "CH All Clear" using [Control] knob.
For how to use [Control] knob, refer to [<3-3. How to select the item>](#).
4. Select "Yes" using [Control] knob.
"Completed" appears.

Exiting from the Function setting mode

Press and hold [Q/↵].



19-20. SiriusXM tuner setting

You can set the SiriusXM tuner related items.

1. **Press [Control] knob.**
Enters the Function setting mode.
2. **Select "Settings" using [Control] knob.**
For how to use [Control] knob, refer to <3-3. How to select the item>.
3. **Select an SiriusXM tuner setting item using [Control] knob.**

Display	Description
"Seek Mode"	Sets the seek mode. Channel: Normal manual seeking. Preset: Searches in order of the channels in the preset memory.
"Tune Start"	Turns on/off the Tune Start function. Refer to <19-6. Tune Start™>. "ON" / "OFF"
"Signal Level"	Displays the received signal strength of the SiriusXM tuner.
"Replay Buffer"	Displays the memory usage for the function mentioned in <19-17. SiriusXM Replay™>. "0%" - "100%"
"TAG Memory"	Displays the tag memory usage of the HD Radio tuner and SiriusXM tuner. Up to 50 tags can be registered in this unit.
"Tagging"	Turns on/off the iTunes tag memory function of SiriusXM tuner. "ON" / "OFF"

(Colored text: Factory setting)

4. **Select a setting using [Control] knob.**
Returns to the previous item.

Exiting from the Function setting mode

Press and hold [Q/↵].



20-1. Registering a remote control ID

When connecting the remote control KCA-RC107MR/ KCA-RC55MR (Optional accessory) to this unit, you should register the ID for KCA-RC107MR/ KCA-RC55MR.

1. **Press [SRC] and select a Standby ("STANDBY") using [Control] knob.**
Refer to [<Source selection>](#).
2. **Press [Control] knob.**
Enters the Function setting mode.
3. **Select "Initial Settings" > "Remote Settings" > "Remote ID Set" using [Control] knob.**
For how to use [Control] knob, refer to [<3-3. How to select the item>](#).
A remote control ID list is displayed. "Yes" indicates that this ID is already registered. "No" indicates that this ID is available.
4. **Press [Control] knob.**
"Registering..." appears.
5. **Register the remote control ID.**

Button on the remote control	Remote control ID
[ENTER]	Registers ID1.
[SRC]	Registers ID2.
[DISP]	Registers ID3.

"ID#Set:Completed" appears.

Exiting from the Function setting mode

Press and hold [Q/↵].

▼ When removing the remote control

- When removing the KCA-RC107MR/ KCA-RC55MR, delete the registered remote control ID as mentioned in [<20-2. Delete the remote control ID>](#).



20-2. Delete the remote control ID

You can delete the ID registered for the remote control KCA-RC107MR/ KCA-RC55MR (optional accessory).

- 1. Press [SRC] and select a Standby ("STANDBY") using [Control] knob.**
Refer to [<Source selection>](#).
- 2. Press [Control] knob.**
Enters the Function setting mode.
- 3. Select "Initial Settings" > "Remote Settings" > "Remote ID Delete" using [Control] knob.**
For how to use [Control] knob, refer to [<3-3. How to select the item>](#).
List of the IDs registered for remote controls is displayed.
- 4. Select the remote control ID using [Control] knob.**
"Remote ID Delete" appears.
- 5. Select "YES" using [Control] knob.**
"Remote ID Delete:Completed" appears.

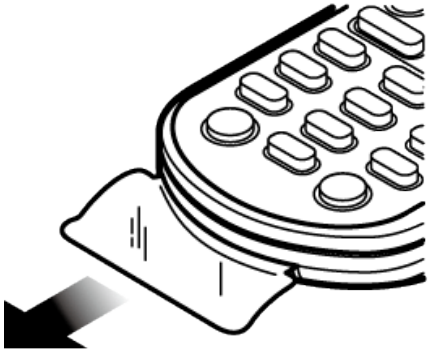
Exiting from the Function setting mode

Press and hold [Q/↵].



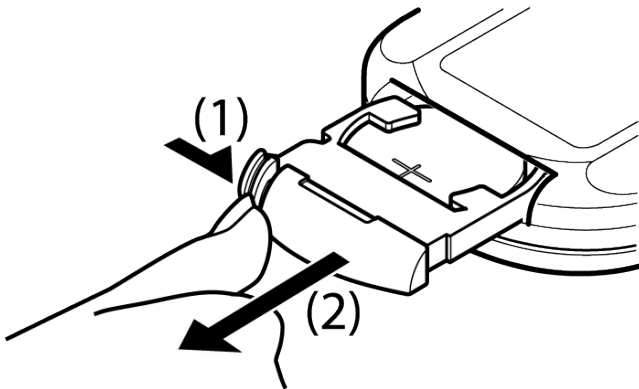
21-1. Before using remote control

Preparing the remote control unit



Pull the battery sheet out from the remote control unit in the direction of the arrow.

Changing the battery of the remote control unit



Use a commercially available button battery (CR2025). Insert the battery with the + side facing upward, following the illustration inside the case.

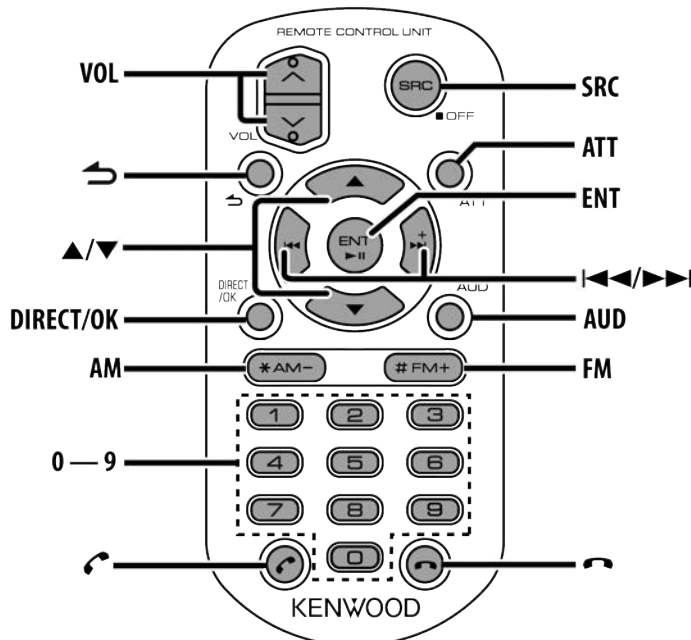
1. Keep on sliding.
2. Pull out.

⚠ CAUTION

- Keep battery out of reach of children and in original package until ready to use. Dispose of used batteries promptly. If swallowed contact physician immediately.
- Do not leave the battery near fire or under direct sunlight. A fire, explosion or excessive heat generation may result.
- Do not set the remote control in hot places such as on the dashboard.
- The Lithium battery is in danger of explosion if replaced incorrectly. Replace only with the same or equivalent type.



21-2. Basic operation



General control

- Volume control: [VOL]
- Source selection: [SRC]
Press and hold the button to turn off the power.
- Volume reduction: [ATT]
When the button is pressed again, the volume returns to the previous level.
- Return to previous item: [↶]
- Selection of item: [▲]/[▼]
- Determination: [ENT]
- Enter Audio Control mode: [AUD]

▼ About power on

- The remote control cannot be used to turn the power on. Press [SRC] on the main unit.

On Tuner source

- Band selection: [FM]/[AM]
- Station selection: [◀◀]/[▶▶]
- Recall preset stations: [0] - [9] → [ENT]

On HD Radio tuner source

- Band selection: [FM]/[AM]
- Station selection: [◀◀]/[▶▶]
- Recall preset stations: [0] - [9] → [ENT]

On CD/Audio file source

- Music selection: [◀◀]/[▶▶]
- Folder selection: [FM]/[AM]
- Pause/Play: [ENT]
- Enter the Music search mode: [▲]/[▼]

- Movement between folders/files during Music search mode: [▲]/[▼]
- Return to previous folder: [↶]

On iPod source

- Enter Music search mode: [▲]/[▼]
- Movement between items during Music search mode: [▲]/[▼]
- Return to previous item: [↶]
- Pause/Play: [ENT]

On Pandora source

- Music selection: [▶▶i]
- Pause/Play: [ENT]
- Enter the station list mode: [▲]/[▼]
Select item: [▲]/[▼]
Exit the station list mode: [↶]

On Aha source

- Selecting a content: [◀◀]/[▶▶i]
- Pause/Play: [ENT]
- Enter the station search mode: [▲]/[▼]
Select item: [▲]/[▼]
Exit the station search mode: [↶]

On iHeartRadio source

- Skip track (Custom station): [▶▶i]
- Stop or Pause/Play: [ENT]
- Enter the station search mode: [▲]/[▼]
Select item: [▲]/[▼]
Exit the station search mode: [↶]

On SiriusXM tuner source

- Channel selection: [◀◀]/[▶▶i]
- Recall preset stations: [0] - [9] → [ENT]
- Enter the Category and Channel search mode: [▲]/[▼]

Hands-free phone control

Making a call

- Enter Bluetooth mode: [📶]
- Select a dialing method: [▲]/[▼] → [ENT]
- Number dial input:
Input a digit: [0] - [9]
Input "+": [▶▶i]
Input "#": [FM]
Input "*": [AM]
Clear the entered phone number: [◀◀]
- Make a call: [ENT]

Receiving a call

- Answer the call: [📶]

Call waiting

- Answer another incoming call with the current call suspended: [📶]

During a call

- End the call: [📶]



22-1. Setting error

Some functions of this unit may be disabled by some settings made on this unit.

- **Cannot set up display.**
 - The demonstration mode is not turned off as mentioned in <14-5. [Demonstration mode setting](#)>.
- **Cannot set the "Text Select", "Side Select", or "Status" setting for the "Display Select" item.**
 - A display type is not selected as mentioned in <13-1. [Selecting a display type](#)>.
- **Cannot set up the equalizer.**
- **Cannot set up the Bass Boost.**
- **Cannot set up the Sound Enhancements.**
- **Cannot set up the Position control.**
- **Cannot set up the Loudness.**
 - The DSP function is disabled.
 - "DSP Set" of <5-1. [Audio control](#)>



22-2. Operation/wiring error

What might seem to be a malfunction in your unit may just be the result of a slight operation error or a wiring error. Before calling for service, first check the following table for possible problems.

General

- **The key beep does not sound**
 - The Preout jack is in use.
 - The key beep cannot be output from the Preout jack.
- **Sound cannot be heard.**
- **The unit does not turn on.**
- **Information shown on the display is incorrect.**
 - The connectors are dirty.
 - Clean the connectors. Refer to [<Before using the this unit for the first time>](#).

Tuner source

- **Radio reception is poor.**
 - The car antenna is not extended.
 - Pull the antenna out all the way.

Disc source

- **The specified disc does not play, but another one plays instead.**
 - The specified CD is quite dirty.
 - Clean the CD with reference to [<10-11. Handling discs>](#).
 - The disc is severely scratched.
 - Try another disc instead.

Audio file source

- **The sound skips when an Audio file is being played.**
 - The media is scratched or dirty.
 - Clean the CD with reference to [<10-11. Handling discs>](#).
 - The recording condition is bad.
 - Play the media again or use another media.

iHeartRADIO source

- **Station cannot be selected.**
 - If "Explicit Content" in [Account Settings] is checked in the web version of iHeartRADIO, some stations become unavailable.



22-3. Error messages

The messages shown below indicates your system condition.

- **"TOC Error"**
 - The CD is quite dirty. The CD is upside-down. The CD is scratched a lot.
 - The disc is unreadable.
- **"IN" (blink)**
 - The CD player section is not operating properly.
 - Reinsert the CD. If the CD cannot be ejected or the display continues to blink even when the CD has been properly reinserted, please switch off the power and consult your nearest service center.
- **"Protect" (blink)**
 - The speaker wire has short-circuited or touched the chassis of the vehicle, and then the protection function has been activated.
 - Lay or insulate the speaker cable properly and press the Reset button. If "Protect" does not disappear, consult your nearest service center.
- **"NA File"**
 - An Audio file is played in a format that is not supported by this unit.
- **"Copy PRO"**
 - A copy-protected file is played.
- **"Read Error"**
 - The file system of the connected USB device is broken.
 - Copy the files and folders for the USB device again. If "Read Error" is still displayed, initialize the USB device or use another USB device.
- **"No Device"**
 - A USB device is selected as a source although no USB device is connected.
 - Change the source to any source other than the USB device. Connect a USB device, and change the source to the USB device again.
- **"N/A Device"**
 - An unsupported USB device is connected.
 - Connection to the iPod has failed.
 - Check that the connected iPod is supported. See <10-7. About the Audio file> for information on supported iPods.
- **"No Music Data"**
 - The connected USB device contains no playable audio file.
 - A medium that does not have playable data has been played.
- **"Please Eject"**
 - The unit is malfunctioning for some reason.
 - Press and hold [▲].
 - Press the reset button on the unit. If the "Please Eject" code does not disappear, consult your nearest service center.
- **"iPod Error"**
 - Connection to the iPod has failed.
 - Remove the iPod and then reconnect it.
 - Reset iPod/ iPhone.
- **"No Number"**
 - The calling party does not notify a caller ID.
 - There is no phone number data.
- **"No Data"**
 - There is no outgoing call list.
 - There is no incoming call list.
 - There is no missed call list.
 - There is no phone book list.
- **"No Entry"**
 - The cell phone has not been registered (pairing).
- **"HF Disconnect"**
 - The unit cannot communicate with the cell phone.
- **"AUD Disconnect"**
 - The unit cannot communicate with the Bluetooth audio player.
- **"HF Error 68"**
 - The unit cannot communicate with the cell phone.
 - Cycle the power switch. If this message still appears, press the Reset button on the control unit.
- **"HF Error 89"**

- ❑ Update of the firmware has failed.
 - Retry update of the firmware.
- **"Device Full"**
 - ❑ 5 Bluetooth device have already been registered. No more Bluetooth devices are registered.
- **"Pairing Failed"**
 - ❑ Pairing error.
- **"N/A Voice Tag"**
 - ❑ No voice tags are registered in your cell phone.
- **"No Phonebook"**
 - ❑ Data is not contained in the phone book.
- **"No Support"**
 - ❑ The connected Bluetooth device does not support a voice recognition function.
- **"No Active Device"**
 - ❑ Any Bluetooth device supporting a voice recognition function is not connected.
- **"Memory Full"**
 - ❑ The tag memory of HD Radio tuner and SiriusXM tuner is FULL.
- **"iPod Full"**
 - ❑ The iPod memory is FULL.
- **"No TAG Function"**
 - ❑ An iPod which does not support the tag memory has been connected.

Pandora Messages

- **"Already bookmarked"**
 - ❑ Already registered as bookmark.
- **"Bookmark failed"**
 - ❑ Registration in Bookmark has failed.
- **"Station DEL ERR"**
 - ❑ Deletion of the station has failed.
- **"Station add ERR"**
 - ❑ Registration of the station has failed.
- **"Station limit"**
 - ❑ The number of registered stations has reached the upper limit.
 - Retry after deleting an unnecessary station.
- **"Rating failed"**
 - ❑ Registration of Thumbs Up/Down has failed.
- **"Station SRCH ERR"**
 - ❑ Keyword search has failed.
- **"No Stations"**
 - ❑ There is no receivable station.
- **"No skips remaining"**
 - ❑ No more skips are allowed now.
 - Retry after a while.
- **"Check Device"**
 - ❑ Any device ready for Pandora reception is not connected to this unit.
- **"Upgrade App"**
 - ❑ Upgrade the Pandora application to the latest version.
- **"Station no exist"**
 - ❑ No station exists.
- **"Connectivity ERR"**
 - ❑ Check the connection to the device.
- **"Licensing Error"**
 - ❑ A licensing error has occurred.

iHeartRADIO Messages

- **"Disconnect"**
 - ❑ Check the connection to the device.
- **"Not Connected"**
 - ❑ Link to the application is impossible.
- **"iHeartLink update required"**
 - ❑ Upgrade the iHeartLink application to the latest version.
- **"Please Login"**
 - ❑ Log in to iHeartRADIO.
- **"Time Out"**
 - ❑ The request has resulted in time-out.
- **"Station Not Selected"**
 - ❑ No station is selected.
- **"Station not available"**
 - ❑ Broadcast from the station is over.

- **"Stream Error"**
 - Streaming cannot be continued.
- **"Station Saved"**
 - The favorite station has been stored.
- **"Cannot Save"**
 - Storage of the favorite station has failed.
- **"Station Created"**
 - Creation of the station is completed.
- **"Cannot Create"**
 - Creation of the station has failed.
- **"Delete Error"**
 - Deletion of the stored station has failed.
- **"No skips remaining"**
 - The number of skips allowed within a predetermined time has reached the limit.
- **"Thumb Failed"**
 - Reception of the thumbs up/down request has failed.
- **"No Stations"**
 - The station list has no station.

Aha Messages

- **"Disconnect"**
 - Check the connection to the device.
- **"Check Device"**
 - Set aha application active.
- **"Loading"**
 - Log in to aha.
- **"Login Failed"**
 - Logging in to aha has failed.
- **"Aha App Update Required"**
 - Upgrade the aha application to the latest version.
- **"Aha Unavailable"**
 - Maintenance of Aha Radio Server is in progress.
- **"Network Unavailable"**
 - Connection to Aha Radio Server is impossible.
- **"Poor GPS"**
 - GPS reception is impossible.
- **"Connect Phone"**
 - Connect the cell phone.
- **"Action NA"**
 - The pressed key is invalid.
- **"Select Station"**
 - Select a station.

SiriusXM Advisory Messages

- **"Check Tuner"**
 - A SiriusXM tuner is not connected to this unit.
 - ▀ Check the connection to the SiriusXM tuner.
- **"Subscription Updated – Press Enter to Continue"**
 - The SiriusXM subscription has been renewed.
 - ▀ Pressing the Control knob will clear the error message.
- **"Ch Unavailable"**
 - The currently selected channel is unavailable.
- **"Chan Unsub"**
 - The currently selected channel is not subscribed to.
- **"Incorrect Code"**
 - The entered pass code is incorrect.
- **"Check Antenna"**
 - No antenna is connected to the SiriusXM tuner.
 - ▀ Check that an antenna is connected to the SiriusXM tuner.
- **"No Signal"**
 - No SiriusXM Satellite Radio signal is received.
- **"Alert Memory Full"**
 - The number of Alert content has reached the upper limit.
 - ▀ Retry after deleting unnecessary Alert content.
- **"Song Stored"**
 - The song you attempted to register as Alert content has already been registered.
- **"Artist Stored"**
 - The artist you attempted to register as Alert content has already been registered.

● **"Art/Sng Unavail"**

- The content currently being received cannot be registered as a content alert item regardless of whether its artist or song name is stored.