

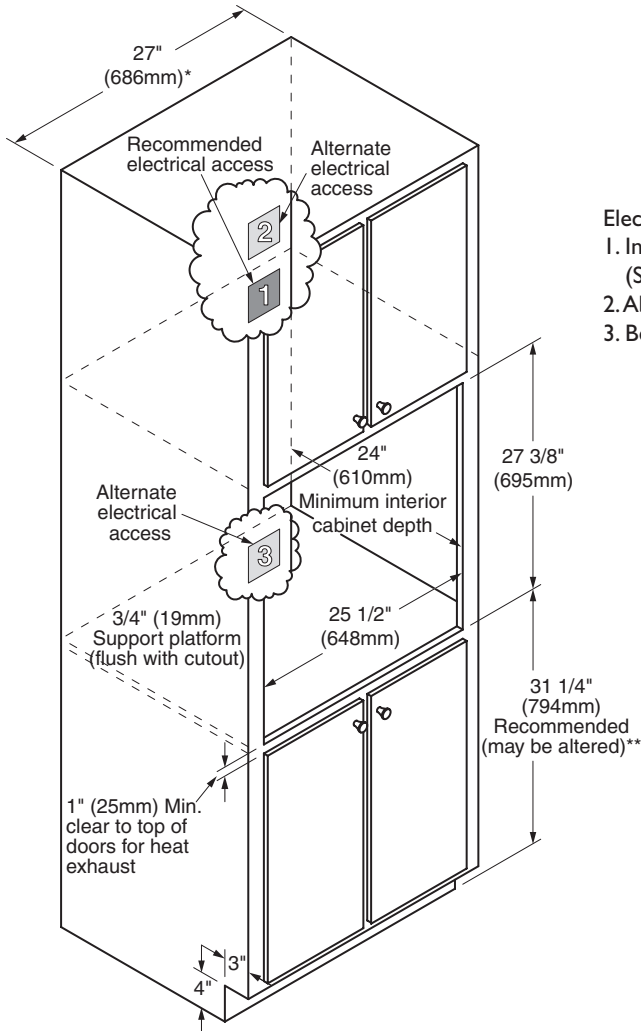


The life of the kitchen™

27" Wide, Single, Electric Wall Oven Specifications

ECS127, PCS127, MCS127

PLANNING GUIDE



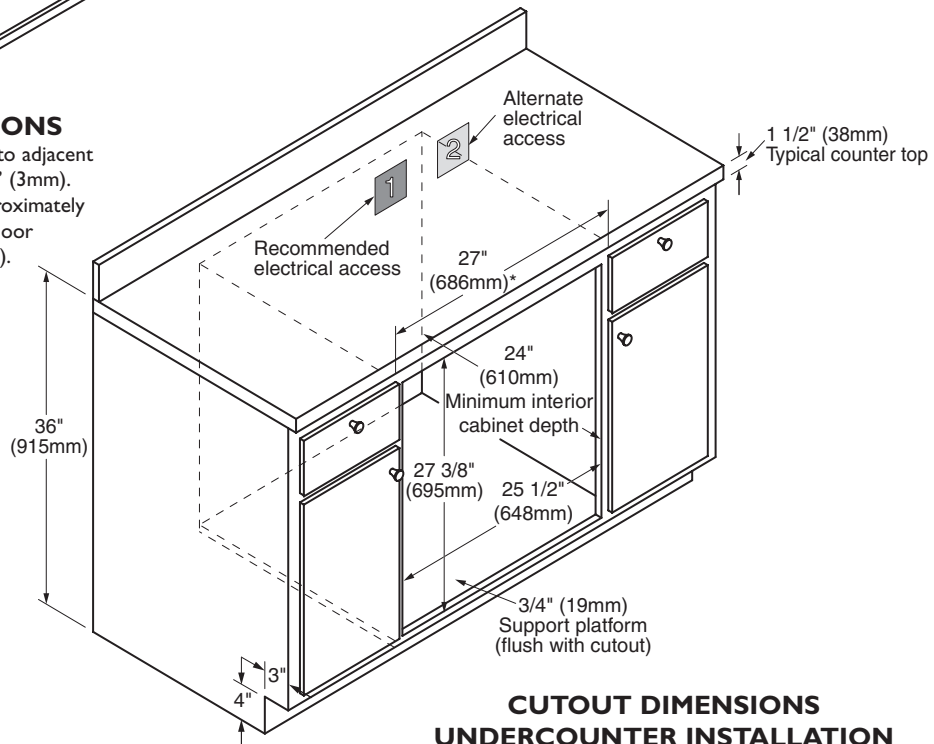
Electrical junction box may be located:

1. In the upper right corner of the cutout.
2. Above the oven cutout, to the right.
3. Below the oven platform, to the right.

CUTOUT DIMENSIONS

*Maintain a minimum clearance to adjacent cabinet doors/drawers of 1/8" (3mm).

**Positions the open door approximately 36" (914mm) above the floor (Typical counter height).



CUTOUT DIMENSIONS UNDERCOUNTER INSTALLATION

*Maintain a minimum clearance to adjacent cabinet doors/drawers of 1/8" (3mm).



Specifications are subject to change without notice. See installation instructions for additional details.

Dacor®

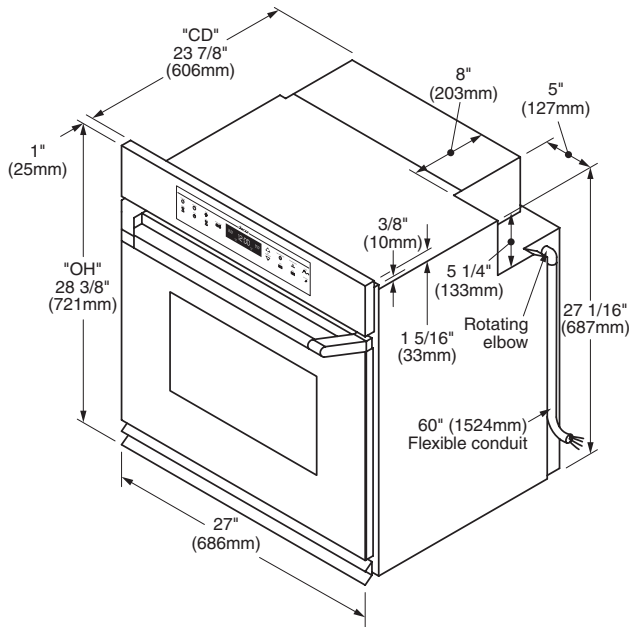
www.dacor.com

Corporate Phone: 800-793-0093

Planning Faxback: 800-793-0093 ext. 3806

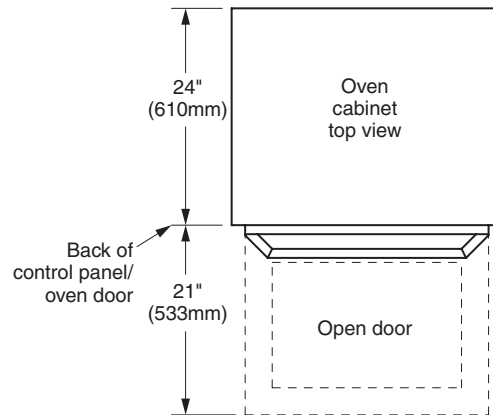


The life of the kitchen™

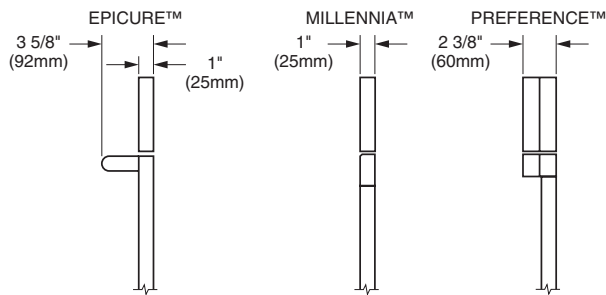


OVERALL DIMENSIONS
(ECS127 Shown)

27" Wide, Single, Electric Wall Oven Specifications



TOP VIEW
(ECS127 Shown)



OVEN HANDLE DIMENSIONS

ECS127, PCS127, MCS127

PLANNING GUIDE 1.2

SPECIFICATIONS	MEASUREMENTS
Overall Oven Width	27" (686mm)
Overall Oven Height (OH)	28 3/8" (721mm)
Oven Chassis Depth (CD)	23 7/8" (605mm) from back of control panel
Inside Oven Cell	21"w (576mm) x 15"h (381mm) x 18 1/2"d (470mm)
Cabinet Cutout Width	25 1/2" (648mm)
Cabinet Cutout Height	27 3/8" (695mm)
Minimum Interior Cabinet Depth	24" (610mm)
Minimum Cabinet Width	27" (686mm)*
Oven Overlays Cabinet Cutout	3/4" (19mm) Each side; 15/16" (27mm) Top, 1/16" (1mm) Bottom
Electrical Supply Requirements	208VAC/240VAC 4-wire, 60Hz, 30A Dedicated Circuit
Total Connected Load	240VAC 5.2kW (22A) / 208VAC 5.2kW (25A)
Approximate Shipping Weight	270 pounds
Note	*Maintain a minimum clearance to adjacent cabinet doors/drawers of 1/8" (3mm).



Specifications are subject to change without notice. See installation instructions for additional details.

Dacor®
www.dacor.com
Corporate Phone: 800-793-0093
Planning Faxback: 800-793-0093 ext. 3806