

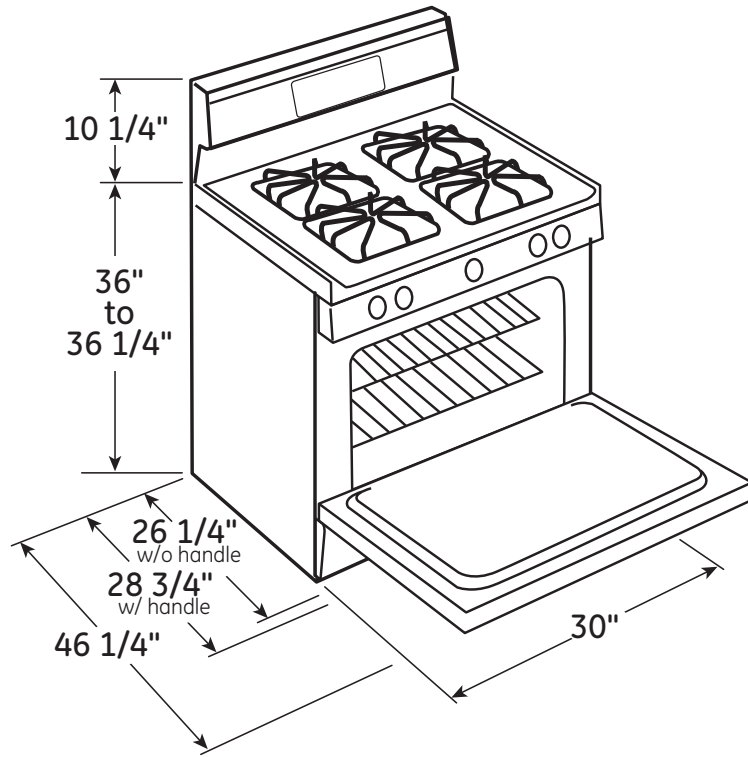
JGB630DEF

GE® 30" Free-Standing Gas Range

Dimensions and Installation Information (in inches)

Electrical Rating: 120V, 60Hz, 5A

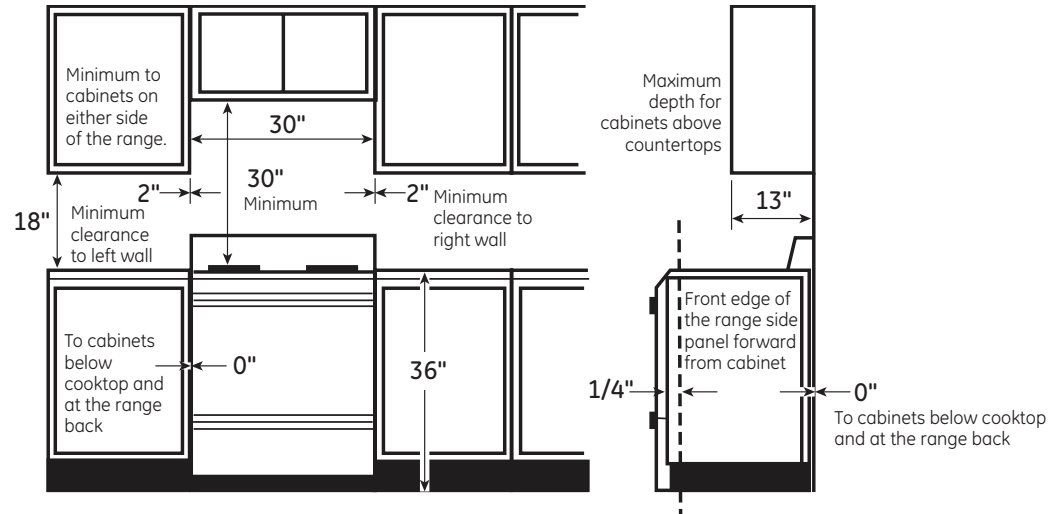
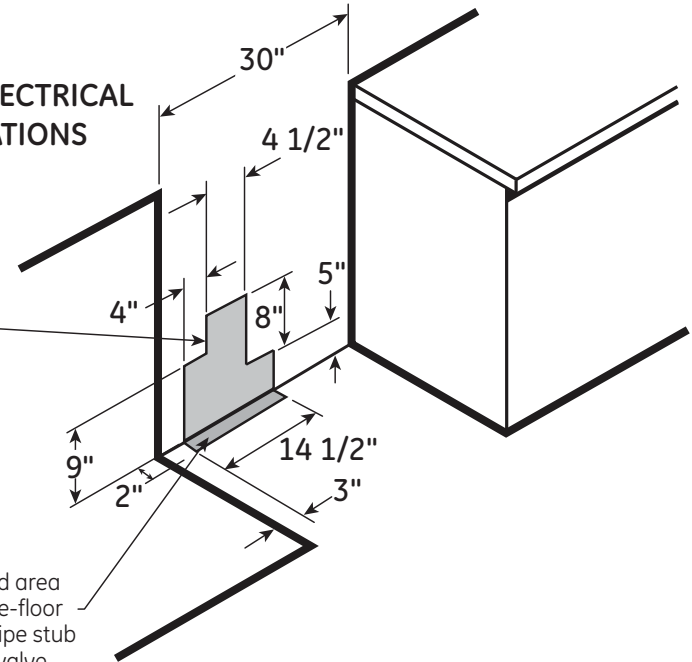
Installation Information: Before installing, consult installation instructions packed with product for current dimensional data.



GAS PIPE AND ELECTRICAL OUTLET LOCATIONS

Recommended area for 120V outlet on rear wall and area for through-the-wall connection of pipe stub and shut-off valve.

Recommended area for through-the-floor connection of pipe stub and shut-off valve.



imagination at work

For answers to your Monogram® or GE® appliance questions, visit our website at geappliances.com or call GE Answer Center® service, 800.626.2000.



All GE ranges are equipped with an Anti-Tip device. The installation of this device is an important, required step in the installation of the range.



Specification Created 6/13

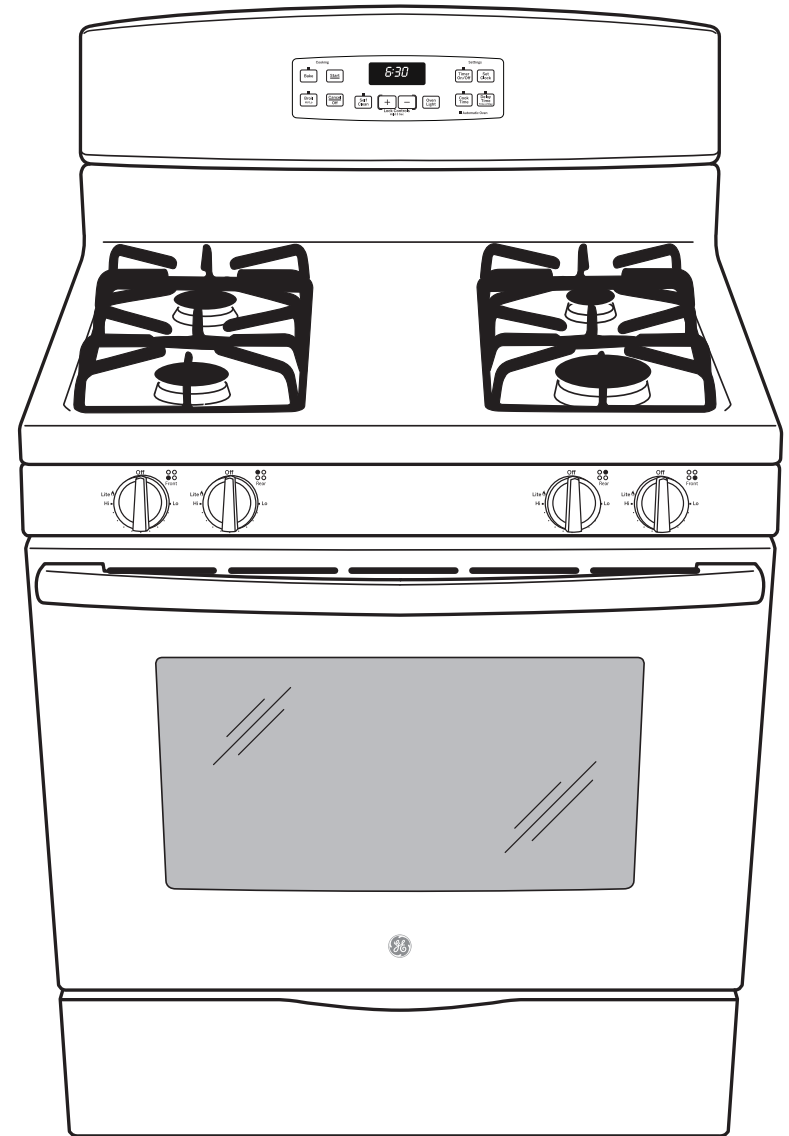
330443

JGB630DEF

GE® 30" Free-Standing Gas Range

Features and Benefits

- 12,500 BTU Burner - Quickly produces high heat
- Precise Simmer Burner - Delicate foods don't burn with low, even heat
- Self-Clean Oven - Cleans the oven cavity without the need for scrubbing
- 5.0 cu. ft. Oven Capacity - Cook more dishes at once
- Sealed Cooktop Burners - Contains spills and make cleaning quick and easy
- In-Oven Broil - Healthy meals are hassle-free with in-oven broiling
- Model JGB630DEFWW - White on white
- Model JGB630DEFBB - Black on black
- Model JGB630DEFCC - Bisque on bisque



imagination at work