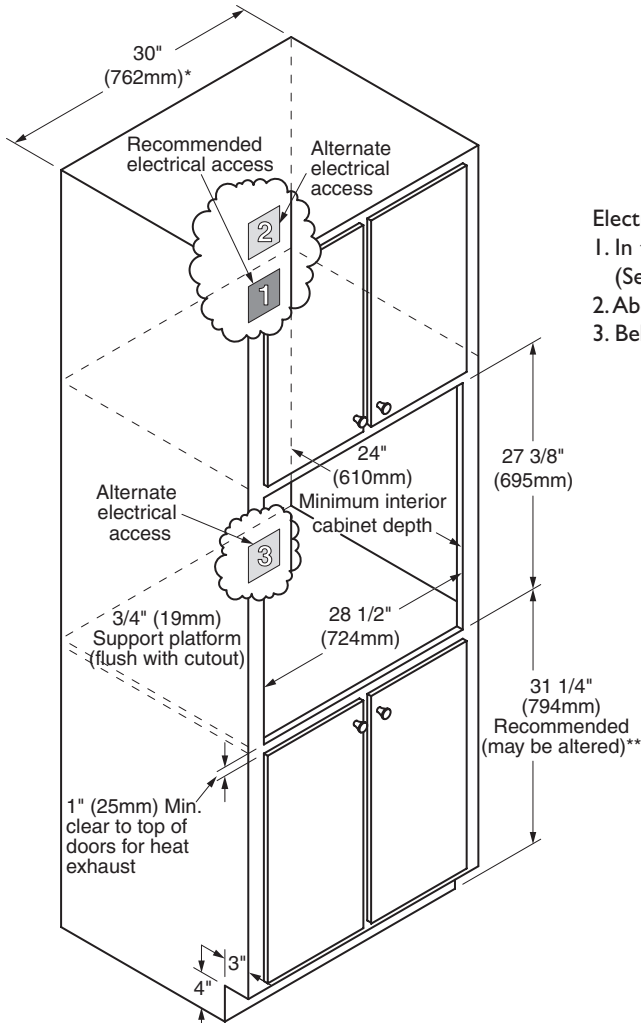




The life of the kitchen™

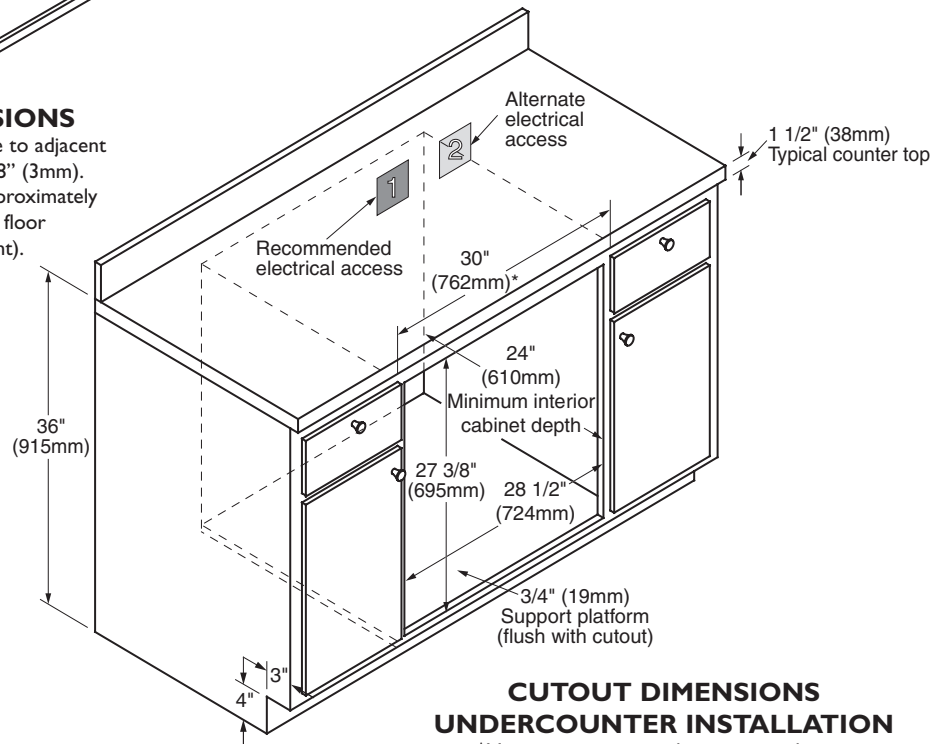
### 30" Wide, Single, Electric Wall Oven Specifications



- Electrical junction box may be located:
1. In the upper right corner of the cutout. (See Overall Dimensions below)
  2. Above the oven cutout, to the right.
  3. Below the oven platform, to the right.

#### CUTOUT DIMENSIONS

- \*Maintain a minimum clearance to adjacent cabinet doors/drawers of 1/8" (3mm).
- \*\*Positions the open door approximately 36" (914mm) above the floor (Typical counter height).



#### CUTOUT DIMENSIONS UNDERCOUNTER INSTALLATION

- \*Maintain a minimum clearance to adjacent cabinet doors/drawers of 1/8" (3mm).

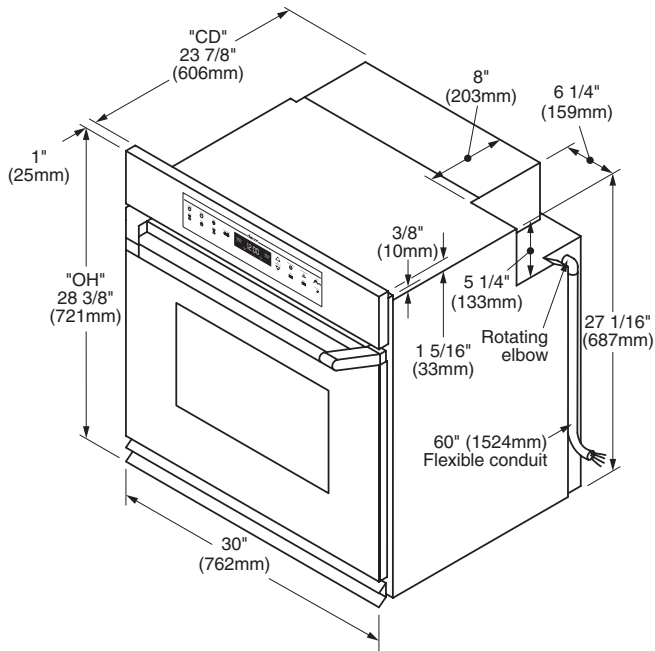


Specifications are subject to change without notice. See installation instructions for additional details.

Dacor®  
www.dacor.com  
Corporate Phone: 800-793-0093  
Planning Faxback: 800-793-0093 ext. 3806

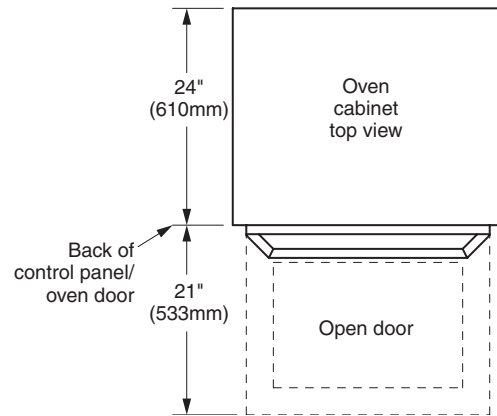


The life of the kitchen™

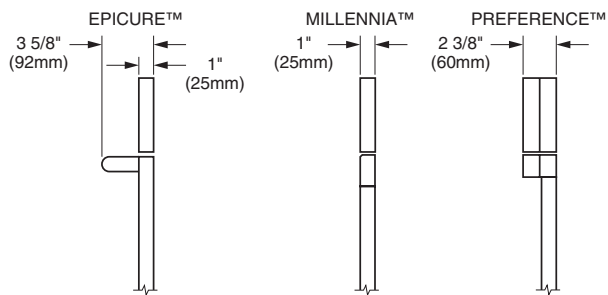


**OVERALL DIMENSIONS**  
(ECS130 Shown)

**30" Wide, Single, Electric Wall Oven Specifications**



**TOP VIEW**  
(ECS130 Shown)



**OVEN HANDLE DIMENSIONS**

**ECS130, PCS130, MCS130**

**P L A N N I N G G U I D E**

**1.4**

SPECIFICATIONS	MEASUREMENTS
<b>Overall Oven Width</b>	30" (762mm)
<b>Overall Oven Height (OH)</b>	28 3/8" (721mm)
<b>Oven Chassis Depth (CD)</b>	23 7/8" (605mm) from back of control panel
<b>Inside Oven Cell</b>	24"w (605mm) x 15"h (381mm) x 18 1/2"d (470mm)
<b>Cabinet Cutout Width</b>	28 1/2" (724mm)
<b>Cabinet Cutout Height</b>	27 3/8" (695mm)
<b>Minimum Interior Cabinet Depth</b>	24" (610mm)
<b>Minimum Cabinet Width</b>	30" (762mm)*
<b>Oven Overlays Cabinet Cutout</b>	3/4" (19mm) Each side; 15/16" (27mm) Top, 1/16" (1mm) Bottom
<b>Electrical Supply Requirements</b>	208/240VAC 4-wire, 60Hz, 30A Dedicated Circuit
<b>Total Connected Load</b>	240VAC 5.2kW (22A) / 208VAC 5.2kW (25A)
<b>Approximate Shipping Weight</b>	219 pounds
<b>Note</b>	*Maintain a minimum clearance to adjacent cabinet doors/drawers of 1/8" (3mm).



Specifications are subject to change without notice. See installation instructions for additional details.

**Dacor®**  
www.dacor.com  
Corporate Phone: 800-793-0093  
Planning Faxback: 800-793-0093 ext. 3806