

# JD630SF

## GE® 30" Drop-In Electric Range

### Dimensions and Installation Information (in inches)

**IMPORTANT:** 30" DROP-IN RANGES ARE DESIGNED TO HANG FROM THE COUNTERTOP. IT DOES NOT REST ON THE FLOOR. FOR INSTALLATION ALTERNATIVES, REFER TO INSTALLATION INSTRUCTIONS.

**Note:** This appliance has been approved for 0" spacing to adjacent surfaces above the cooktop. However, a 6" minimum spacing to surfaces less than 15" above the cooktop and adjacent cabinet is recommended to reduce exposure to steam, grease splatter and heat.

**Optional Kits For Drop-In Electric Ranges** (Available At Additional Cost)

#### Accessory Backguards

(Attaches to the back of range as a backguard when unit is installed in 30" free-standing cutout)  
 JXS32SS (Stainless) - 4" High  
 JXS32BB (Black) - 4" High

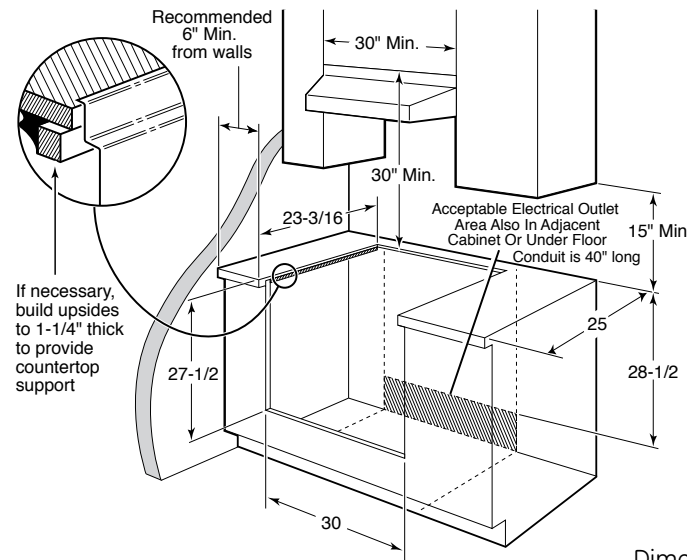
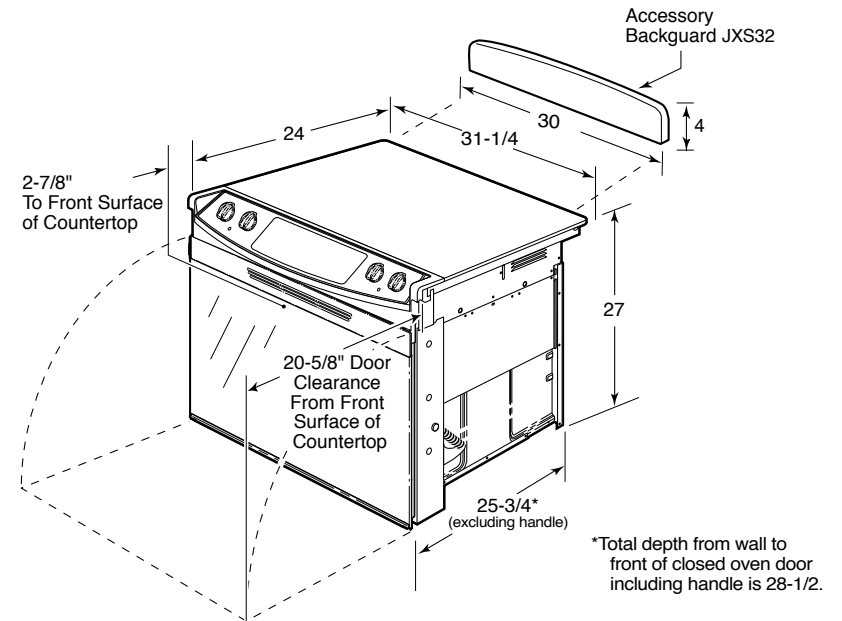
#### Rear Filler Strip

WB07T10680 - Black Filler Strip Assembly

**Installation information:** Before installing, consult installation instructions for current dimensional data and additional requirements.

KW Rating	
240V	11.9
208V	8.9
Breaker Size	
240V	40 Amps <sup>†</sup>
208V	40 Amps <sup>†</sup>

<sup>†</sup>**Note:** Check local codes for required breaker size.



Dimension and installation information are shown in inches.



imagination at work

For answers to your Monogram® or GE® appliance questions, visit our website at [geappliances.com](http://geappliances.com) or call GE Answer Center® service, 800.626.2000.



ADA qualified based on Uniform Federal Accessibility Standards



All GE ranges are equipped with an Anti-Tip device. The installation of this device is an important, required step in the installation of the range.



Listed by Underwriters Laboratories



Specification Created 6/13

320834

# JD630SF

## GE® 30" Drop-In Electric Range

### Features and Benefits

- 6"/9" Power Boil Element - Produces rapid, powerful heat
- Self-Clean Oven - Cleans the oven cavity without the need for scrubbing
- Ceramic Glass Cooktop - Smooth cooktop easily wipes clean
- Black Gloss Oven Interior - Enjoy a clean and sleek appearance
- Dual Element Bake - Upper and lower elements produce even heat and great results
- Electronic Oven Controls - Electronic touch pads are easy to operate
- Model JD630SFSS - Stainless steel



imagination at work