

# DYWS4



## Discovery™ Wine Dispensing System

## PLANNING GUIDE

### Technical Specifications/Dimensions

Vertical Distance	
Bottle capacity	4
Power supply input requirements	120 Vac, 60 Hz., 2 Amps.
Circuit requirement	120 Vac, 60 Hz., 10 Amp. 3-wire* dedicated, circuit with grounded 3-prong electrical outlet required
Power cord length	74" (188 cm)**
Gas tubing length	117" (297 cm)***
Appliance weight	80 lbs. (32 kg) empty
Operating (room) temperature	Min. 50°F (10°C) Max. 80°F (26.7°C)

\* Hot (L1), Neutral (N1), Ground

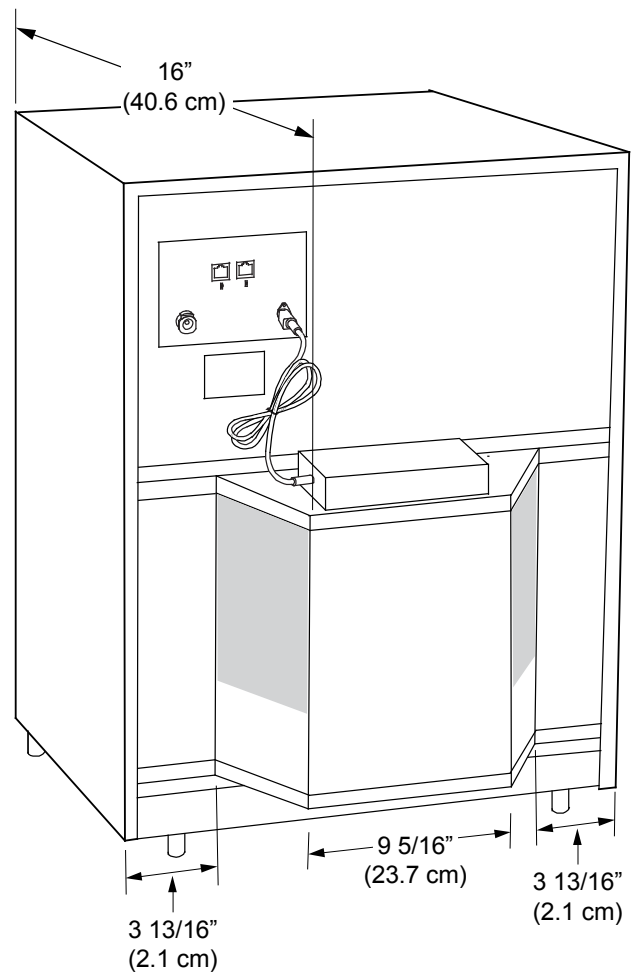
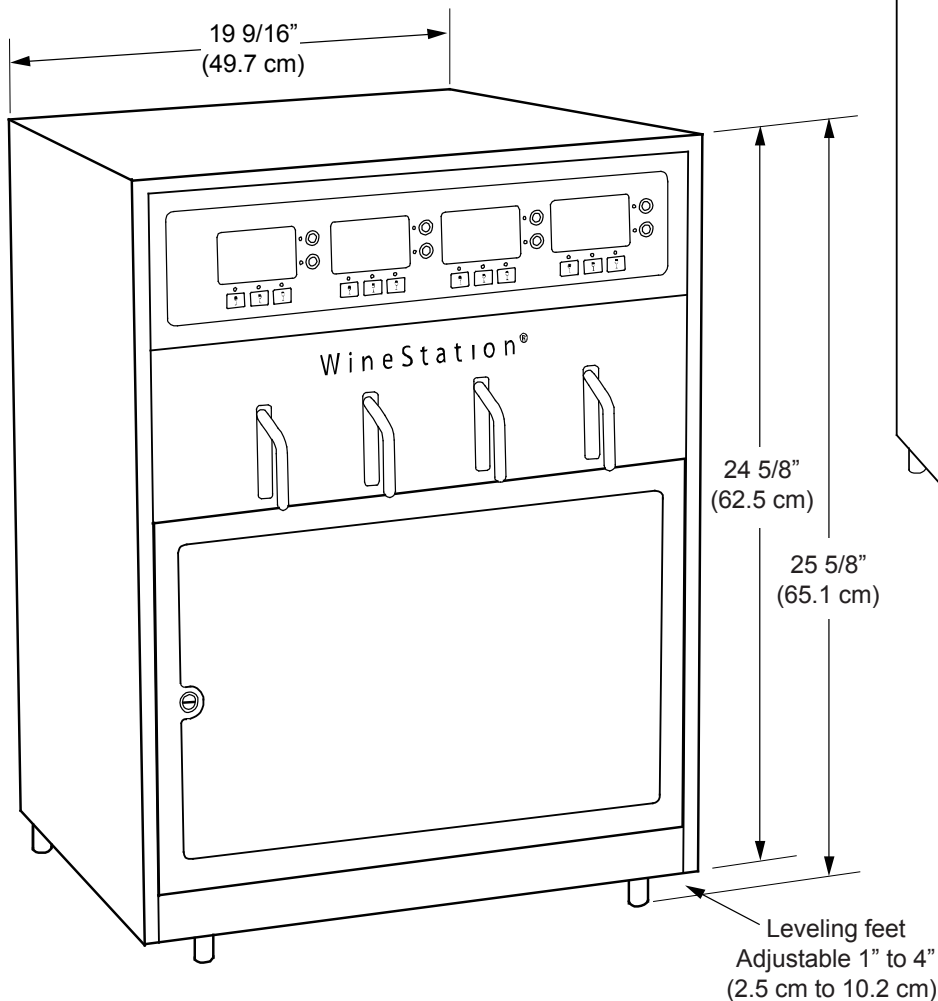
\*\* Usable length = 48 inches

\*\*\* Usable length = 72 inches

### WARNING

- Observe all governing codes and ordinances during planning and installation. Contact your local building department for further information.
- This appliance must be installed in accordance with the accompanying installation instructions.

All product tolerances are  $\pm 1/16"$  ( $\pm 1.6$  mm) unless otherwise stated.

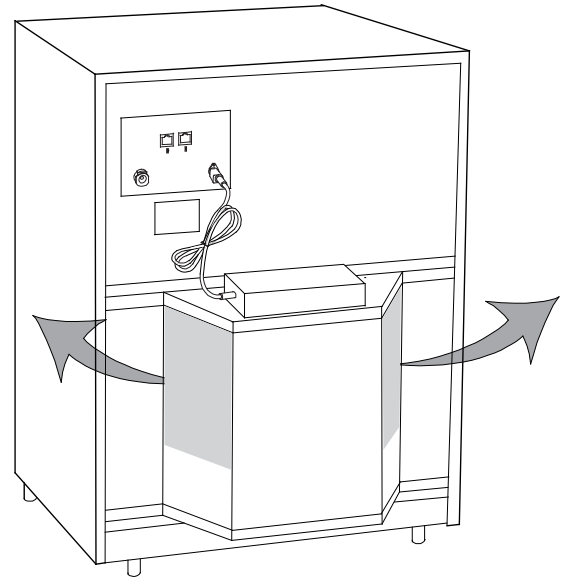
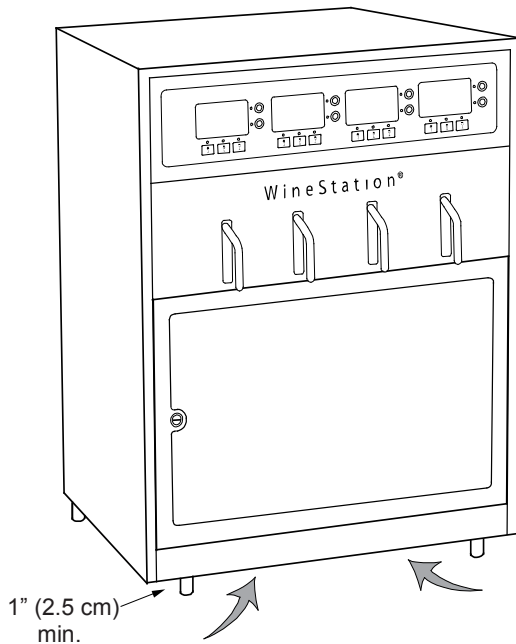


# DYWS4



## Discovery Wine Dispensing System

## PLANNING GUIDE

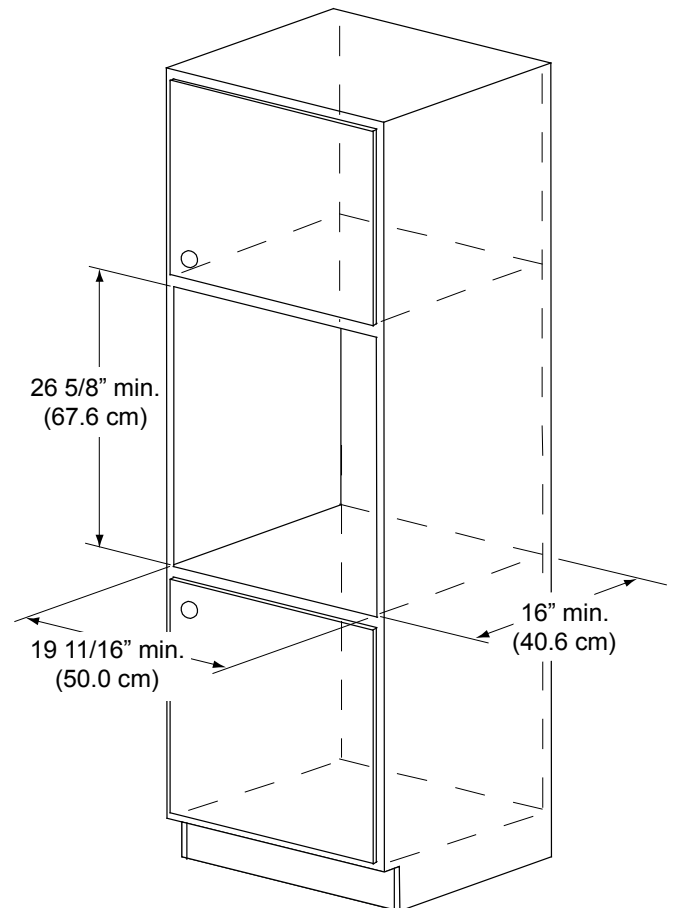


### ALLOW FOR PROPER AIR CIRCULATION

#### NOTES:

1. The wine dispensing system must be installed at a safe distance from sources of heat, such as home appliances.
2. This appliance is designed for indoor use. It may be used outdoors provided it is installed under cover in a dry location and operated within the required ambient (room) temperature (see page 1/2).
3. All maximum and minimum dimensions and clearances shown must be met or exceeded.
4. Due to the possibility of spillage, DO NOT install this appliance above or below any other appliance.
5. To prevent tipping, do not install this appliance in an unrestrained, free-standing cabinet.
6. Install this appliance only on a flat, level surface capable of supporting the appliance's weight. Operate it only in the upright position.
7. When determining the installation location, look for a location that is free of potential safety hazards that might interfere with the installation or operation of the unit or interfere with air circulation around the unit. The location needs to be clean, dry and free of any debris.
8. The 3-prong electrical outlet for the unit must be located to allow for easy access when the unit is installed for easy disconnection.
9. A minimum area of 13" H x 9" W x 4" D (33 cm H x 23 cm W x 10 cm D) must be provided in a nearby cabinet (6 feet or less away) for the gas cylinder, regulator and gas line (with fittings) that supply Argon gas to the unit.
10. Installation of an external UPS with backup battery is recommended so that the unit does not need to be reset after a power outage.
11. Use an electrical outlet which cannot be turned off with a switch or pull chain.

All cabinet tolerances: +1/16" (+1.6 mm) -0, unless otherwise stated.



### MINIMUM CLEARANCE REQUIREMENTS