

# FEATURES



**SGS365CW**

**36" SGS WHITE PORCELAIN STEEL GAS COOKTOP**

## APPEARANCE

Black or White Porcelain	✓
Porcelain Enamel Grate	✓
Cast-Iron Continuous	✓

## PERFORMANCE

Number of Gas Sealed Burners	5
Cookware Can Span 2 Burners	✓
Ignition: Automatic	✓
Reignition	✓

## CONVENIENCE

Access. Griddle (SGRIDDLE)*	✓
Access. Wok Ring (SWOKRING)*	✓
L.P. Convertible*	Yes - NLPKIT6
Easy Cleaning Surface	✓

## GENERAL INFORMATION

Approximate Shipping Weight (LBS.)	49
------------------------------------	----

## Accessories

Model #	Name	Shipping Weight
NLPKIT6	L.P. Conversion Kit	1 lbs
SWOKRING	Wok Ring	3 lbs
SGRIDDLE	Griddle	9 lbs

## [Click Here to View Specifications](#)

**Notes:** 1) All height, width and depth dimensions are shown in inches. 2) Solid surface countertops require special cutout size.

\*Please refer to installation instructions prior to making cutout. Installation instructions are available at [www.thermador.com](http://www.thermador.com).

Cooktops are CGA and AGA approved.

# SPECIFICATIONS



## SGS365CW

## 36" SGS WHITE PORCELAIN STEEL GAS COOKTOP

### GENERAL INFORMATION

Approximate Shipping Weight (LBS.)	49
------------------------------------	----

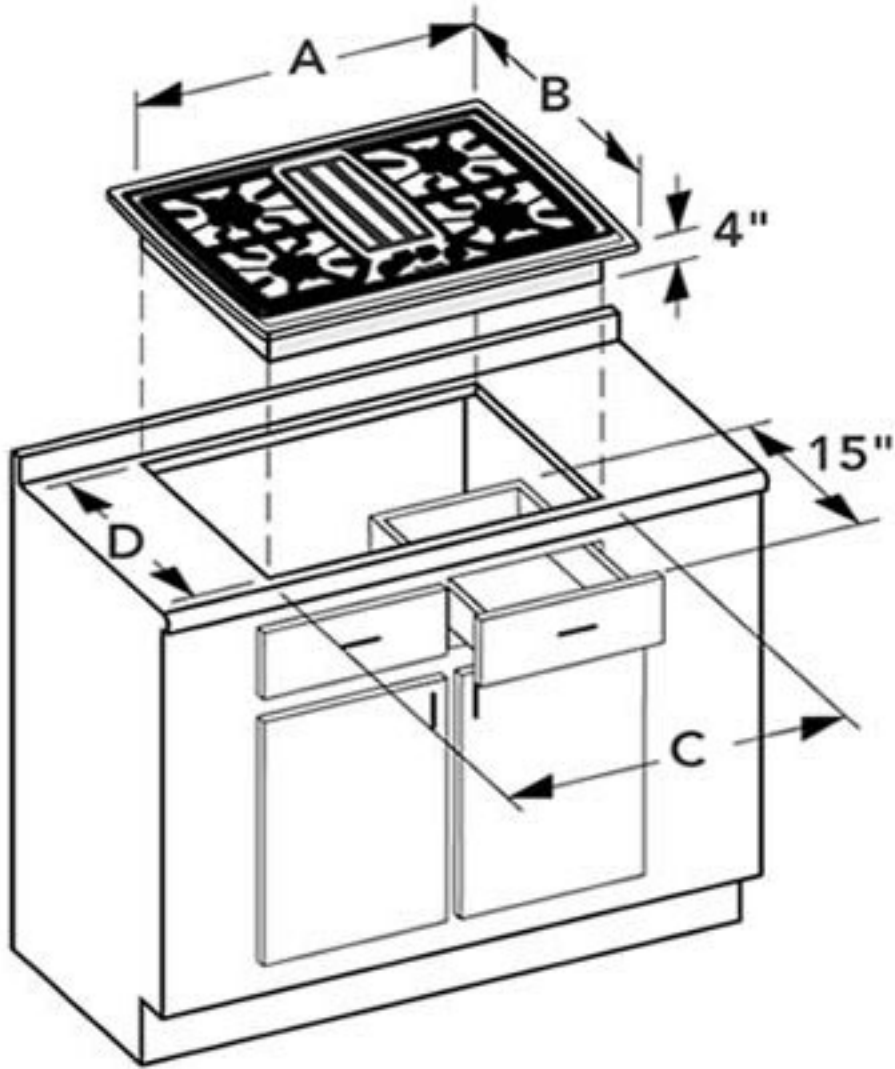
### TECHNICAL INFORMATION

60 HZ, Single Phase 120 VAC 3 Wire, 15 AMPS	✓
Front Left Burner - BTU/HR	950 - 8000
Front Right Burner - BTU/HR	1650 - 12000
Rear Left Burner - BTU/HR	1650 - 12000
Rear Right Burner - BTU/HR	950 - 8000
Center Left Burner - BTU/HR	2100 - 15000

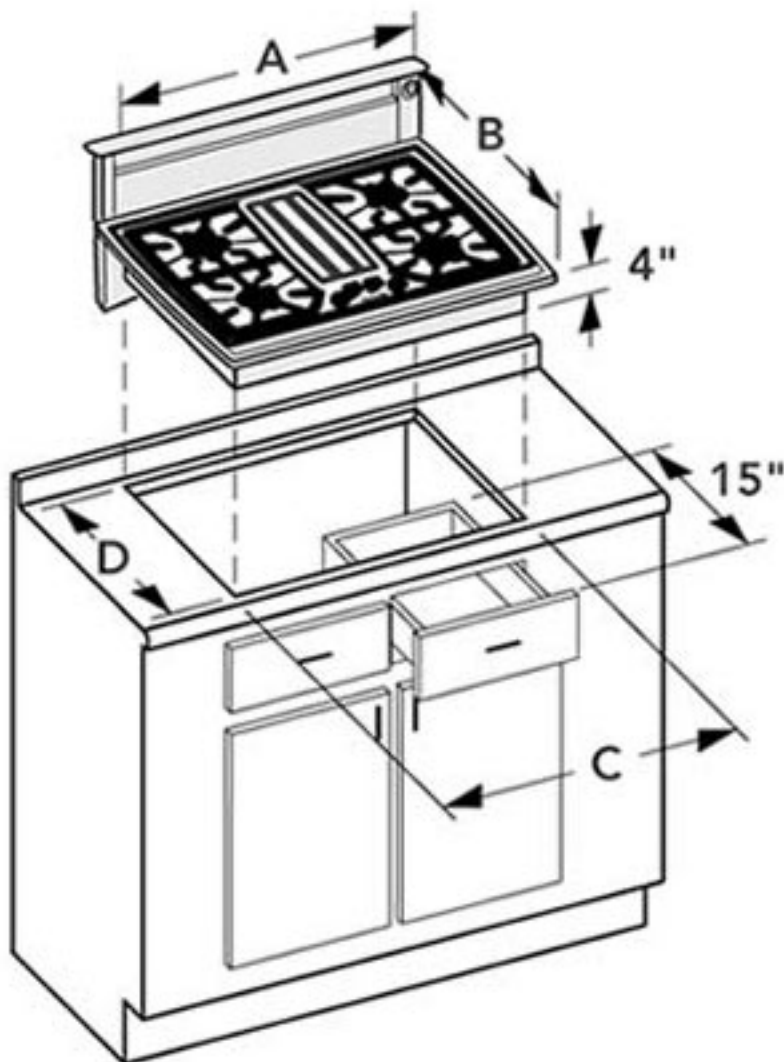
### DIMENSIONS (INCHES)

Overall Dimensions - A**	37
Overall Dimensions - B**	21 1/2
Cutout Dimensions* C	34-15/16" to 35-3/8"
Cutout Dimensions* D	19-1/8" to 19-7/8"
Cutout Width (CSV Downdraft)	34-15/16"
Cutout Width (UCV Downdraft)	34-15/16"
Cutout Depth (CSV Downdraft)	22-1/8"
Cutout Depth (UCV Downdraft)	22-1/4"
Overall Width (CSV Downdraft)	37"
Overall Width (UCV Downdraft)	37"
Overall Depth (CVS Downdraft)	23-5/8"
Overall Depth (UCV Downdraft)	23-3/4"
Set Back Min. (CVS Downdraft)	1-1/2"
Set Back Min. (UCV Downdraft)	1-1/2"
Back Splash Max. (CVS Downdraft)	1-1/4"
Back Splash Max. (UCV Downdraft)	3/4"
Notch Depth (CVS Downdraft)	3"
Notch Depth (UCV Downdraft)	2-1/4"

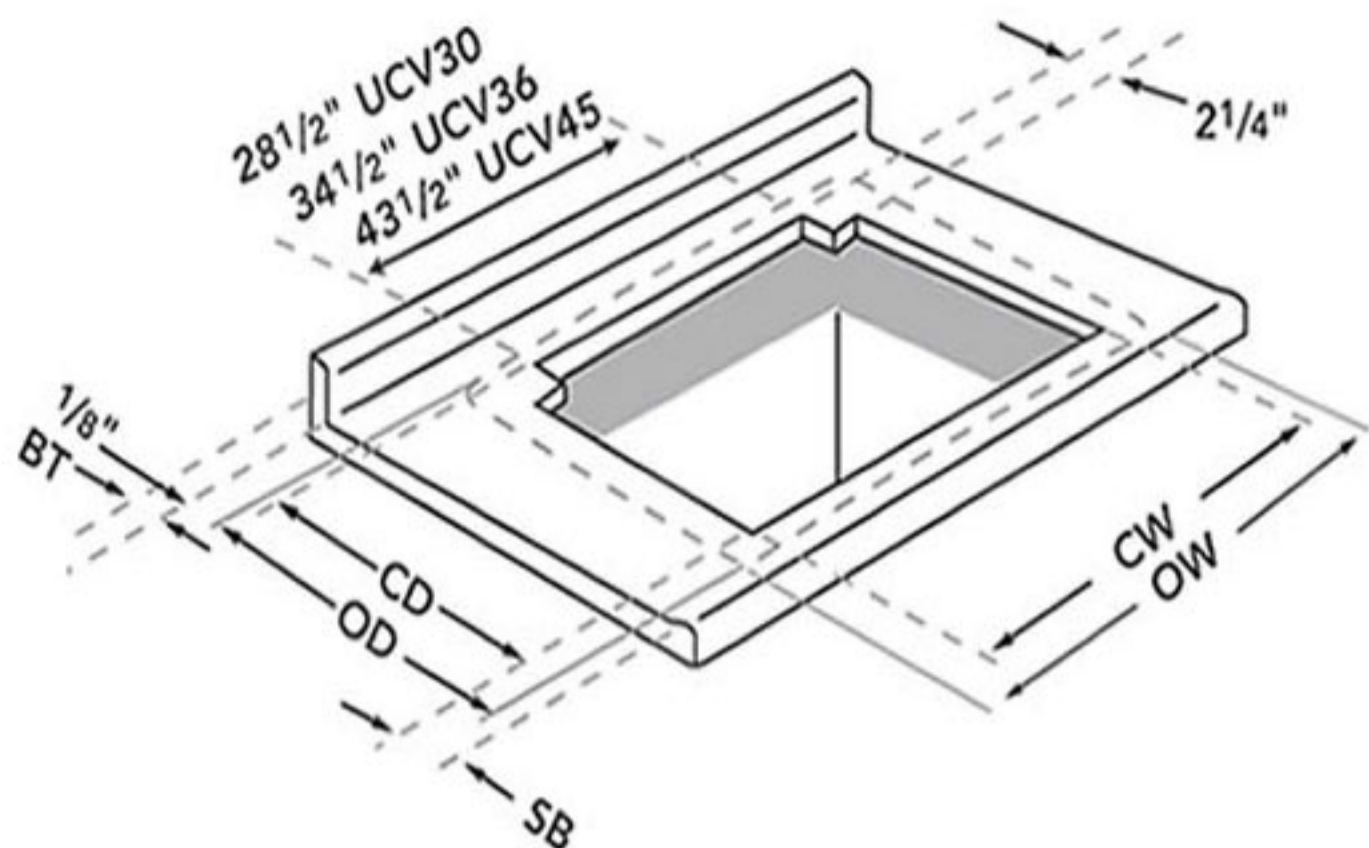
# Gas Cooktop Cutout



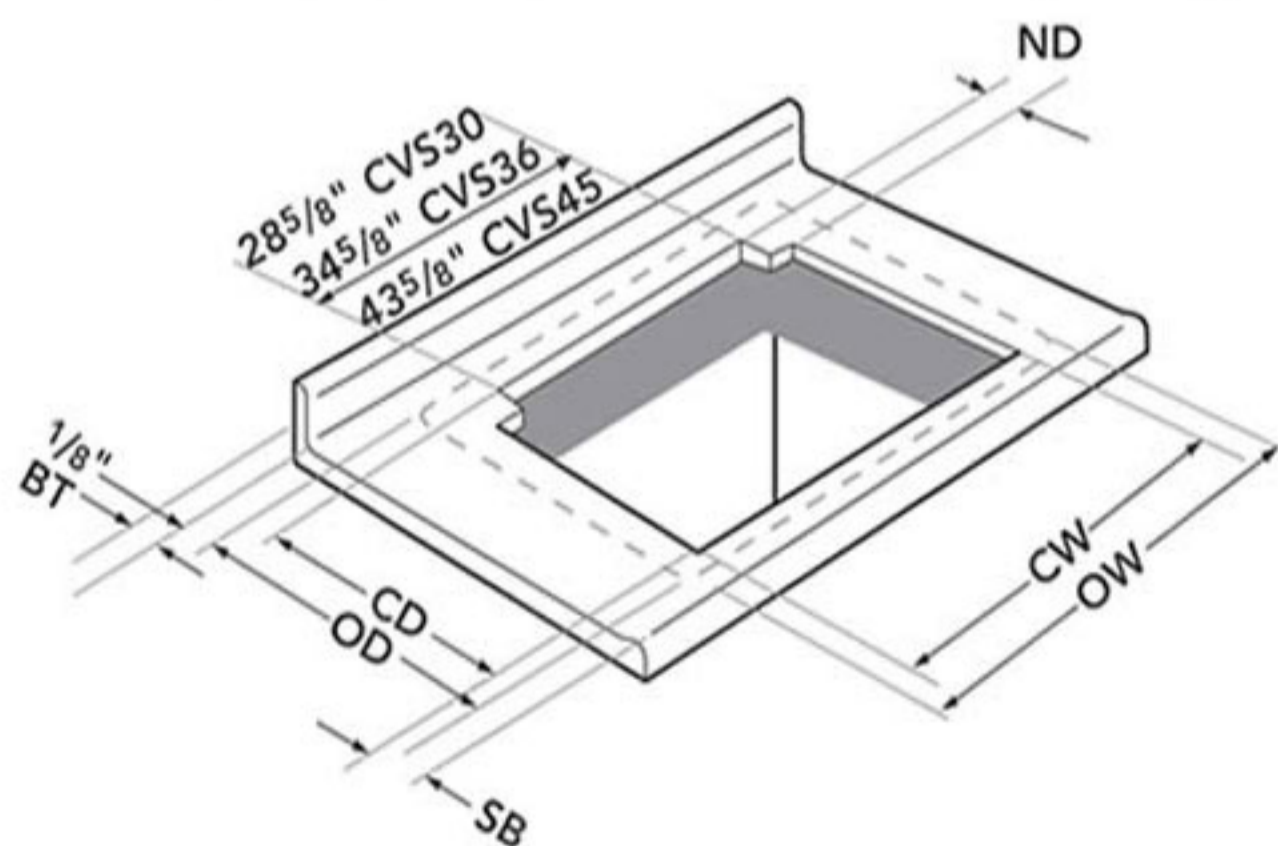
# Gas Cooktop Cutout and Downdraft



# Comprehensive Countertop Cutout with Downdraft (UCV)



# Comprehensive Countertop Cutout with Downdraft (CVS)



**Notes:** 1) All height, width and depth dimensions are shown in inches. 2) Solid surface countertops require special cutout size.

\*Please refer to installation instructions prior to making cutout. Installation instructions are available at [www.thermador.com](http://www.thermador.com).

Cooktops are CGA and AGA approved.

For immediate critical installation dimensions by fax, use your fax handset and call (775) 833-3600. Use code #8030 for a directory of Thermador products.