

## LP Gas Grill Owner's Guide

### YOU MUST READ THIS OWNERS GUIDE BEFORE OPERATING YOUR GAS GRILL

#### ⚠ DANGER

If you smell gas:

1. Shut off gas to the appliance.
2. Extinguish any open flames.
3. Open lid.
4. If odor continues, keep away from the appliance and immediately call your gas supplier or your fire department.

Leaking gas may cause a fire or explosion which can cause serious bodily injury or death, or damage to property.

#### ⚠ DANGER

Failure to follow the Dangers, Warnings and Cautions contained in this Owner's Manual may result in serious bodily injury or death, or in a fire or an explosion causing damage to property.

#### ⚠ WARNINGS

- ⚠ Do not store a spare or disconnected propane cylinder under or near this barbecue.
- ⚠ Improper assembly may be dangerous. Please carefully follow the assembly instructions in this manual.
- ⚠ After a period of storage, and/or nonuse, the Weber® gas barbecue should be checked for gas leaks and burner obstructions before use. See instructions in this manual for correct procedures.
- ⚠ Do not operate the Weber® gas barbecue if there is a gas leak present.
- ⚠ Do not use a flame to check for gas leaks.
- ⚠ Combustible materials should never be within 24 inches (63.5cm) of the top, bottom, back or sides of your Weber® gas barbecue.
- ⚠ Your Weber® gas barbecue should never be used by children. Accessible parts of the barbecue may be very hot. Keep young children away while it is in use.
- ⚠ You should exercise reasonable care when operating your Weber® gas barbecue. It will be hot during cooking or cleaning and should never be left unattended, or moved while in operation.
- ⚠ Should the burner go out while in operation, turn the gas valve off. Open the lid and wait five minutes before attempting to relight, using the lighting instructions.
- ⚠ Do not use charcoal or lava rock in your Weber® gas barbecue.
- ⚠ Never lean over an open grill or place hands or fingers on the front edge of the cooking box.
- ⚠ Should a grease fire occur, turn off the burner and leave lid closed until fire is out.
- ⚠ Do not enlarge valve orifice or burner ports when cleaning the valve or burner.
- ⚠ The Weber® gas barbecue should be thoroughly cleaned on a regular basis.
- ⚠ Propane gas is not natural gas. The conversion or attempted use of natural gas in a propane unit or propane gas in a natural gas unit is dangerous and will void your warranty.

#### ⚠ WARNING

1. Do not store spare liquid propane cylinder within 10 feet (3m) of this appliance.
2. Do not store or use gasoline or other flammable liquids or vapors within 25 feet (8m) of this appliance.

⚠ WARNING: Do not try to light this appliance without reading the "Lighting Instructions" section of this manual.

⚠ WARNING: Follow all leak-check procedures carefully in this manual prior to barbecue operation. Do this even if the barbecue was dealer-assembled.

**THIS GAS APPLIANCE IS DESIGNED FOR OUTDOOR USE ONLY.**

**NOTICE TO INSTALLER:** These instructions must be left with the owner and the owner should keep them for future use.

- ⚠ Do not attempt to disconnect any gas fitting while your barbecue is in operation.
- ⚠ Use heat-resistant barbecue mitts or gloves when operating the barbecue.
- ⚠ Keep any electrical supply cord away from any heated surfaces.
- ⚠ Combustion byproducts produced when using this product contain chemicals known to the state of California to cause cancer, birth defects, or other reproductive harm.
- ⚠ Do not use this barbecue unless all parts are in place. The unit must be properly assembled according to the instructions outlined in the "Assembly Instruction" section of the Owner's Guide.
- ⚠ Do not use the Weber® Q™ grill in a vehicle trunk, station wagon, mini-van, sport utility vehicle(SUV), or recreational vehicle(RV).
- ⚠ Use the regulator that is supplied with your Weber® gas barbecue.
- ⚠ Do not attempt to disconnect the gas regulator or any gas fitting while your barbecue is in operation.
- ⚠ If you see, smell or hear the hiss of escaping gas from the propane cylinder:
  1. Move away from propane cylinder.
  2. Do not attempt to correct the problem yourself.
  3. Call your fire department.

Register your grill online at [www.weber.com](http://www.weber.com)®



If you have questions or need advice regarding your grill or its safe operation, please call our toll-free hotline **1-800-446-1071** and a Weber® Q™ Expert will help you out.

Your Weber® gas grill is a portable outdoor cooking appliance. With the Weber® gas grill you can grill, roast and bake with results that are difficult to duplicate with indoor kitchen appliances. The closed lid produces that “outdoor” flavor in the food. The Weber® gas grill is portable so you can easily change its location in your yard or on your patio. Portability means you can take your Weber® gas grill with, if you move. Propane gas supply is easy to use and gives you more cooking control than charcoal fuel.

- These instructions will give you the minimum requirements for assembling your Weber® gas grill. Please read the instructions carefully before using your Weber® gas grill. Improper assembly can be dangerous.

- Not for use by children.
- If there are local codes that apply to portable gas grills, you will have to conform to them. If there are no local codes, you must conform to the latest edition of the National Fuel Gas Code: ANSI Z 223.1/NFPA54.
- The pressure regulator supplied with the Weber® gas grill must be used. This regulator is set for 11 inches of water column (pressure).
- This Weber® gas grill is designed for use with propane gas only. Do not use with natural (piped in city) gas. The valve and regulator is for Propane gas only.
- Do not use with charcoal fuel.
- This Weber® gas grill is not intended for commercial use.
- The use of alcohol, prescription or non-prescription drugs may impair the consumers ability to properly assemble or safely operate the appliance.

- This Weber® gas grill is not intended for and should never be used as a heater.
- Do not leave the Weber® gas grill unattended. Keep children and pets away from the Weber® gas grill at all times.
- Check that the area under the control panel and the bottom tray are free from debris that might obstruct the flow of combustion or ventilation air.

**For Installation in Canada:** These instructions, while generally acceptable, do not necessarily comply with the Canadian Installation codes, particularly with piping above and below ground. In Canada the installation of this appliance must comply with local codes and/or Standard CAN/CGA-B149.1 Natural Gas and Propane Installation Code.

## STORAGE AND/OR NONUSE

- When the Weber® gas grill is not in use, the propane cylinder must be DISCONNECTED and the propane cylinder stored outdoors in a well-ventilated space. Place dust caps on cylinder valve outlets when cylinder is not in use.
- The Weber® gas grill should be checked for gas leaks and any obstructions in the burner tubes before using. (See Sections: “General Maintenance and Annual Maintenance.”)
- The Spider/Insect Screen should also be checked for any obstructions. (See Section: “Annual Maintenance.”)

## OPERATING

- ⚠ **WARNING: Only use this grill outdoors in a well-ventilated area. Do not use in a garage, building, breezeway or any other enclosed area.**
- ⚠ **WARNING: Your Weber® gas grill shall not be used under an unprotected combustible roof or overhang.**
- ⚠ **WARNING: Your Weber® gas grill is not intended to be installed in or on recreational vehicles and/or boats.**
- ⚠ **WARNING: Do not use the grill within 24 inches of combustible materials, bottom, back or sides of the grill.**
- ⚠ **WARNING: The entire cooking box gets hot when in use. Do not leave unattended.**
- ⚠ **WARNING: Keep any electrical supply cord away from any heated surface.**
- ⚠ **WARNING: Keep the cooking area clear of flammable vapors and liquids such as gasoline, alcohol, etc., and combustible materials.**
- ⚠ **WARNING: Never store an extra (spare) Propane cylinder under or near the Weber® gas grill.**

⚠ **WARNING: When cooking, the appliance must be on a level, stable surface in an area clear of combustible material. An asphalt surface (blacktop) may not be acceptable for this purpose.**

## COOKING

**Getting started:** Refer to your Q™ Cards grilling guide.

**To light the grill:** Refer to the lighting instructions in this owners manual and printed on the fold out tables (Q120, 200, 220) of your grill.

**To preheat the grill:** Light the Weber® Q™ according to the lighting instructions in this owners manual. Close the lid and turn the Burner Control Knob to Start/Hi. Preheat the grill for 5-10 minutes (depending on conditions such as air temperature and wind). Once the grill is preheated, set the Burner Control knob to the setting specified in the recipe or suggested in the Q™ Cards grilling guide.

*Note: Wind and weather may require adjustment of the burner control knob to obtain the correct cooking temperature.*

If the burner goes out during cooking, open the lid, turn off the burner, and wait five minutes before relighting.

**Drippings and grease:** Excess drippings and grease will collect in the catch pan in the slide-out bottom tray (located on the underside of the grill). Disposable Weber® drip pans are available that fit the catch pan.

⚠ **WARNING: Check the catch pan and the bottom of the grill for grease build-up before each use. Remove excess grease to avoid a fire in the bottom of the grill.**

⚠ **WARNING: Do not move the Weber® Q™ when operating or while the grill is hot.**

## CLEANING

⚠ **WARNING: Turn your Weber® gas grill OFF and wait for it to cool before cleaning.**

For availability of replacement cooking grate contact the Customer Service Representative in your region using the contact information on our web site. Log onto [www.weber.com](http://www.weber.com).

**Outside surfaces** - Use a warm soapy water solution to clean, then rinse with water.

⚠ **CAUTION: Do not use oven cleaner, abrasive cleansers (kitchen cleansers) cleaners that contain citrus products, or abrasive cleaning pads on grill or cart surfaces.**

**Slide out Bottom tray** - Remove excess grease, then wash with warm soapy water, then rinse

**Cooking grate** - Clean with a suitable brass bristle brush. As needed, remove from grill and wash with warm soapy water, then rinse with water.

**Catch pan** - Disposable foil trays are available, or you can line the catch pan with aluminum foil. To clean the catch pan, wash with warm soapy water, then rinse.

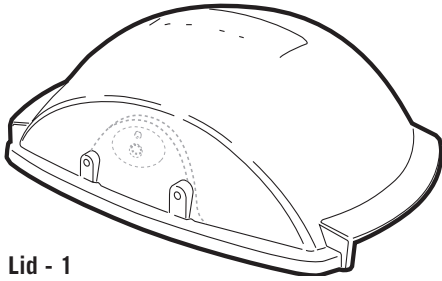
**Inside cooking Box** - Brush any debris off of burner tubes. DO NOT ENLARGE BURNER PORTS (OPENINGS). Wash inside of cooking box with warm soapy water and a water rinse.

**Inside Lid** - While lid is warm, wipe inside with paper towel to prevent grease build-up. Flaking built-up grease resembles paint flakes.

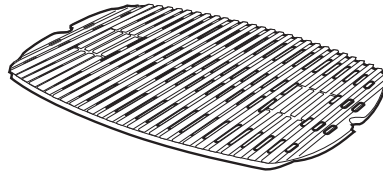
**Fold out work tables (Q120, 200, 220)** - Wash with a soft cloth and a soap and water solution.

**Do not use cleaners that contain acid, mineral spirits or xylene. Rinse well after cleaning.**

**Fold out work tables are not to be used as cutting boards.**



**Lid - 1**  
Tapa - 1  
Couvercle - 1



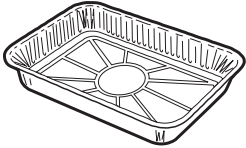
**Cooking Grate - 1**  
Parrilla de cocción - 1  
Grille de cuisson - 1



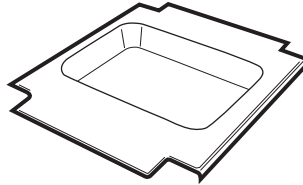
**Control Knob - 1**  
Perilla de control - 1  
Manette de réglage - 1



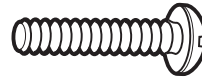
**Cotter Pin - 2**  
Asa - 2  
Goupille fendue - 2



**Disposable Drip Pan - 2**  
Recipientes para escurrimientos  
desechables - 2  
Contenant jetable - 2



**Catch Pan - 1**  
Recipiente recibidor - 1  
Lêchefrite - 1



**Stainless Steel Pan Head Phillips Screw  
(1/4 - 20 x 1 1/2" Screw) - 2**  
Tornillo Phillips de cabeza armada de acero  
inoxidable 1/4 - 20 x 1 1/2 pulgadas - 2  
Vis Phillips à tête cylindrique large en acier  
inoxydable de 0,6 à 50 x 2,5 cm (1/4 - 20 x 1 po) - 2



**Handle Spacer - 2**  
Espaciador del asa - 2  
Entretoise de poignée - 2



**Hinge Pin - 2**  
Tubo del quemador - 2  
Axe de charnière - 2



**Handle - 1**  
Pasador - 1  
Poignée - 1

220

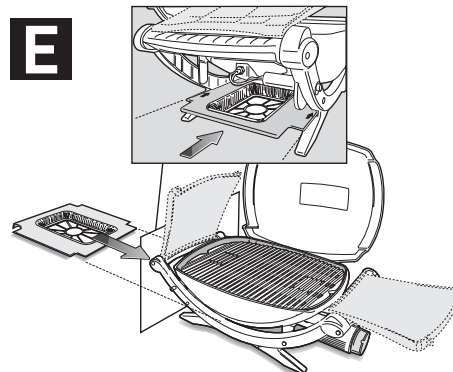
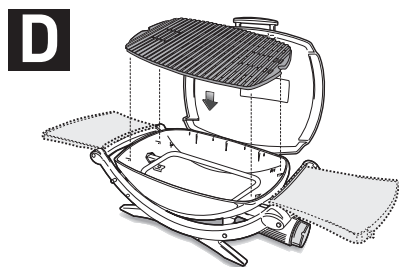
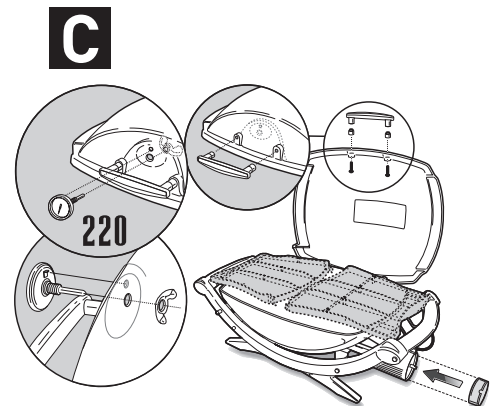
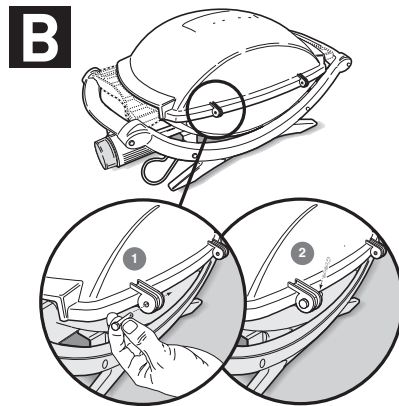
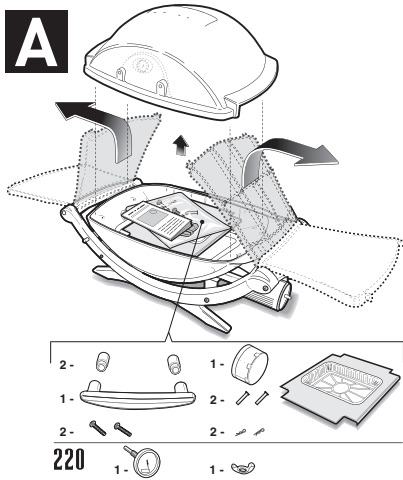


**Thermometer - 1**  
Termómetro - 1  
Thermomètre - 1



**Wing Nut - 1**  
Tuerca de palomilla - 1  
Écrou à oreilles - 1

ASSEMBLY • INSTRUCTIONS DE MONTAGE • INSTRUCCIONES DE MONTAJE



### Attach Propane Cylinder

Use propane cylinders with a capacity of 14.1 oz or less. Use propane cylinders that are approximately 3" inches in diameter and 11" inches in length. The propane cylinder must fit through the cylinder support ring (1). You can find this tank in the camping, hardware, plumbing section of the store you are shopping at.

**⚠ CAUTION: Use cylinders that are marked "Propane fuel" only.**

*Note: Your Weber® gas grill is equipped with a cylinder supply system designed for vapor withdrawal.*

Slide propane cylinder through support ring (1). While holding carrying handle closest to propane cylinder with one hand, push propane cylinder into regulator and turn clockwise until tight.

**⚠ WARNING: Do not use a wrench to tighten the connection. Using a wrench could damage the regulator coupling and could cause a leak.**

Check for gas leaks:

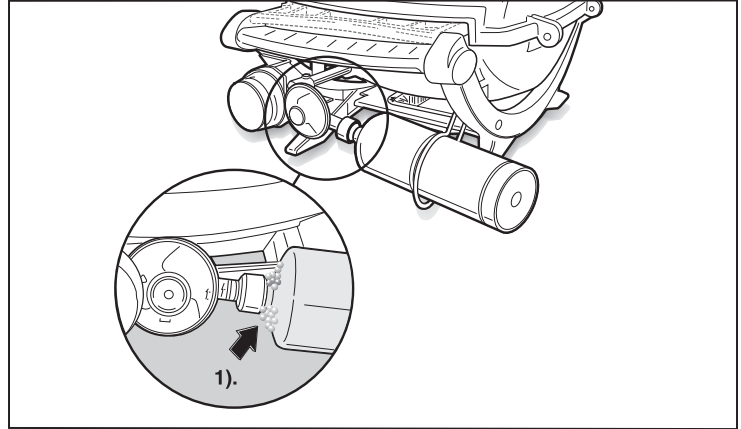
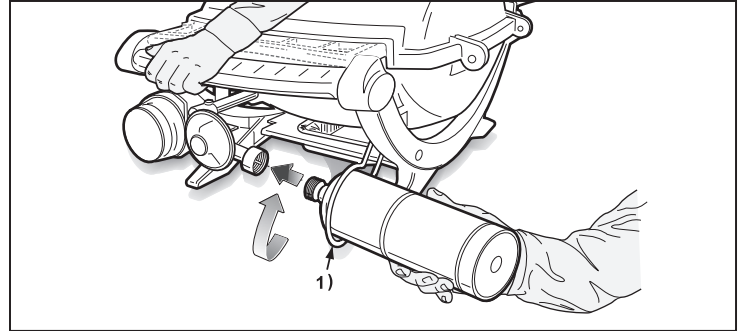
1) Regulator to propane cylinder connection.

**⚠ WARNING: If there is a leak at connection (1), remove propane cylinder. Do not operate grill. Use a different propane cylinder and recheck for leaks with soap and water solution. If a leak persists after retightening the propane cylinder, turn OFF the gas. DO NOT OPERATE THE GRILL. Contact the Customer Service Representative in your area using the contact information on our web site. Log onto [www.weber.com](http://www.weber.com)®.**

2) Valve to-regulator connections.

**⚠ WARNING: If there is a leak at connection (2) turn OFF the gas. DO NOT OPERATE THE GRILL. Contact the Customer Service Representative in your area using the contact information on our web site. Log onto [www.weber.com](http://www.weber.com)®.**

When leak checks are complete, turn gas supply OFF at the source and rinse connections with water.



**⚠ DANGER**

**Do not use an open flame to check for gas leaks. Be sure there are no sparks or open flames in the area while you check for leaks. Sparks or flames will result in a fire or explosion which can cause serious bodily injury or death, and damage to property.**

**⚠ DANGER**

**Do not store a spare LP-gas cylinder under or near this appliance. Never fill the cylinder beyond 80 percent full. If the instructions are not followed exactly, a fire causing death or serious injury may occur.**

### Check for gas leaks

After a period of nonuse, we recommend that you perform the following maintenance procedures for your safety.

- Inspect the burner for correct flame pattern. Clean if necessary, following the procedures outlined in the "General Maintenance" section of this manual.
- Check all gas fittings for leaks.

**⚠ WARNING: You should check for gas leaks every time you disconnect and reconnect a gas fitting.** *Note: All factory-made connections have been thoroughly checked for gas leaks. The burners have been flame tested. As a safety precaution however, you should recheck all fittings for leaks before using your Weber® gas grill. Shipping and handling may have loosened or damaged a gas fitting.*

**⚠ WARNING: Perform these leak checks even if your grill was dealer- or store-assembled.**

You will need a soap and water solution and a rag or brush to apply it. To perform leak checks make sure the Burner is in the off position and turn on gas supply.

**⚠ WARNING: Do not ignite burner while leak checking.**

Check for leaks by wetting the connections with the soap and water solution and watching for bubbles. If bubbles form, or if a bubble grows, there is a leak. *Note: Since some leak test solutions, including soap and water, may be slightly corrosive, all connections should be rinsed with water after checking for leaks.*

**⚠ ATTENTION: This product has been safety tested and is only certified for use in a specific country. Refer to country designation located on outer carton.**

These parts may be gas carrying or gas burning components. Please contact Weber-Stephen Products Co., Customer Service Department for genuine Weber-Stephen Products Co. replacement part(s) information.

**⚠ WARNING: Do not attempt to make any repair to gas carrying or gas burning components without contacting Weber-Stephen Products Co., Customer Service Department. Your actions, if you fail to follow this product Warning, may cause a fire or an explosion resulting in serious personal injury or death and damage to property.**

Check:

1) Regulator to propane cylinder connection.

**⚠ WARNING: If there is a leak at connection (1), remove propane cylinder. Do not operate grill. Use a different propane cylinder and recheck for leaks with soap and water solution. If a leak persists after retightening the propane cylinder, turn OFF the gas. DO NOT OPERATE THE GRILL.**

**Contact the Customer Service Representative in your area using the contact information on our web site. Log onto [www.weber.com](http://www.weber.com)®.**

Check:

2) Valve to-regulator connections.

**⚠ WARNING: If there is a leak at connection (2) turn OFF the gas. DO NOT OPERATE THE GRILL.**

**Contact the Customer Service Representative in your area using the contact information on our web site. Log onto [www.weber.com](http://www.weber.com)®.**

When leak checks are complete, turn gas supply OFF at the source and rinse connections with water.

### Lighting

*Summary lighting instructions are on the fold out work surface.*

- 1) Open the lid (Q120, 200, 220).
- 2) Unfold the work surfaces.
- 3) Make sure the control knob is turned OFF. (Push control knob in and turn clockwise to ensure that it is in the OFF position.)

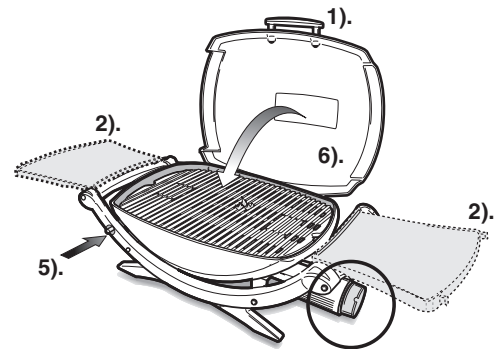
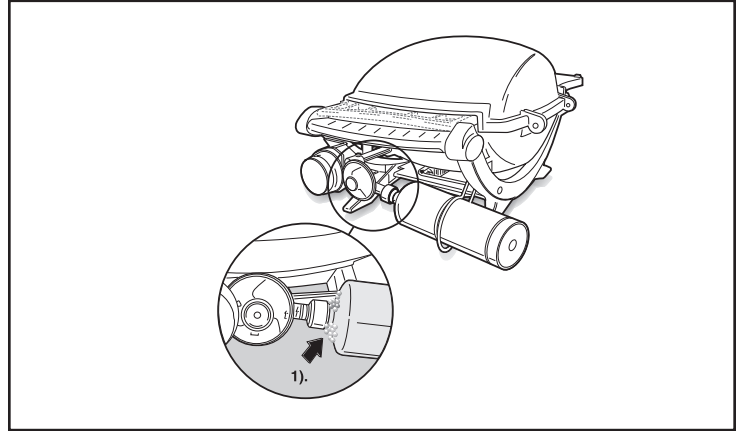
**⚠ WARNING: Do not lean over the open grill. Keep your face and body at least one foot away from the matchlight hole when lighting the grill.**

- 4) Push burner control knob down and turn to START/HI.
- 5) Push the red ignition button several times, so it clicks each time.
- 6) Check that the burner is lit by looking down through the cooking grate. You should see a flame.

**⚠ WARNING: If the burner does not light, turn the burner control knob to OFF and wait 5 minutes to let the gas clear before you try again or try to light with a match.**

### To Extinguish

Push in and turn burner control knob clockwise to the OFF position.



ERROR: rangecheck  
OFFENDING COMMAND: .buildshading2

STACK:

-dictionary-  
-dictionary-  
-savelevel-