

ILHSF8, ILHSF10



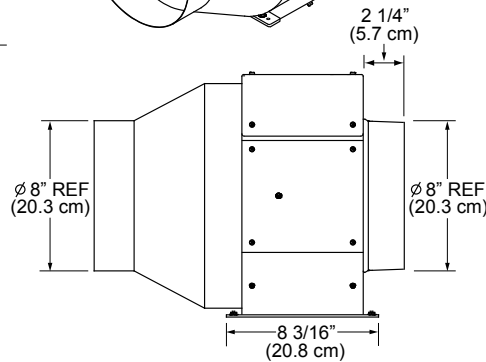
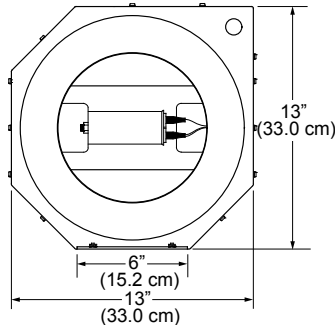
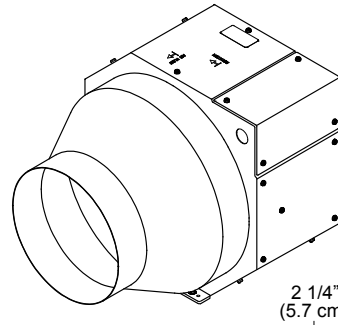
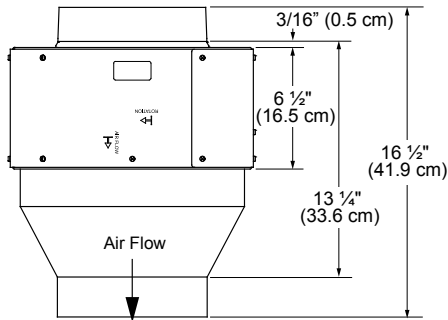
Renaissance® In-line Blower

PLANNING GUIDE

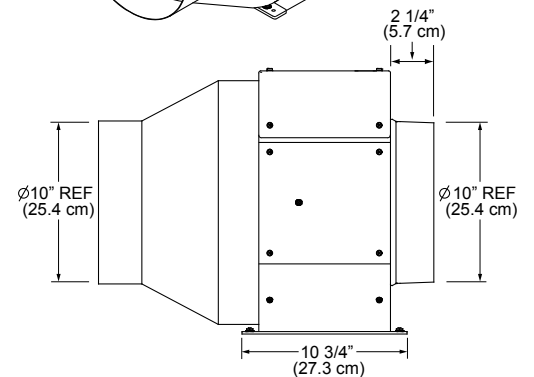
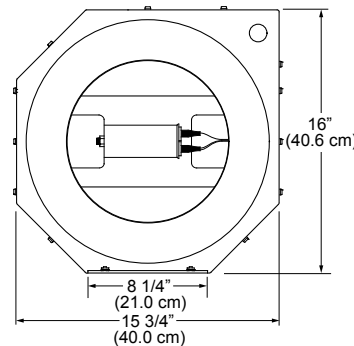
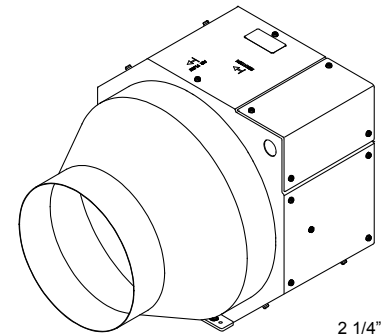
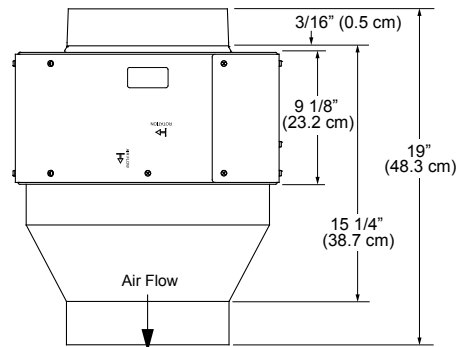
All tolerances $\pm 1/16"$ (± 1.6 mm) unless otherwise noted.

WARNING

- Observe all governing codes and ordinances during planning and installation. Contact your local building department for further information.
- This appliance must be installed in accordance with the accompanying installation instructions.



ILHS8 OVERALL DIMENSIONS



ILHSF10 OVERALL DIMENSIONS

ILHSF8, ILHSF10



Renaissance In-line Blower

PLANNING GUIDE

Model Number	Power Requirements*	Blower Rating
ILHSF8	120 Vac, 60 Hz., 3.5 Amp.	600 CFM** 620.7 CFM***
ILHSF10	120 Vac, 60 Hz., 4.5 Amp.	1100 CFM** 1115.9 CFM***

* In addition to the hood or raised vent

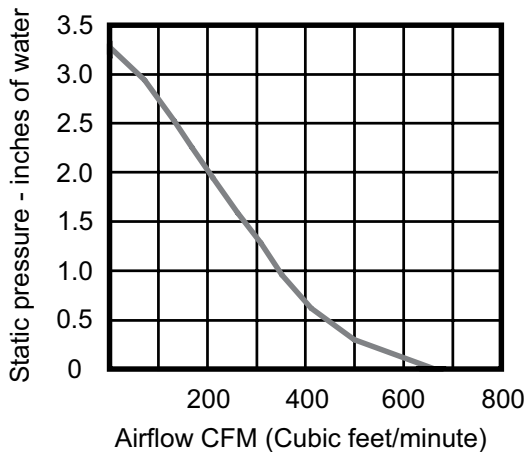
** Nominal at 0 inches static pressure

*** Actual at 0 inches static pressure

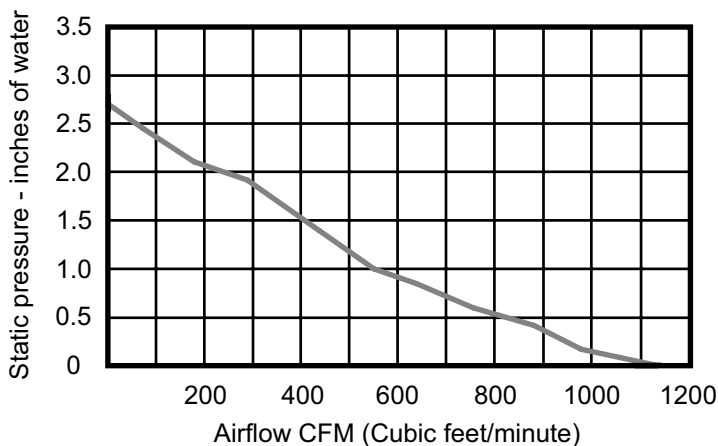
NOTE:

1. The above specifications are for reference only. See the data label on the blower for exact specifications. If the above specifications vary from the label on the blower, use the data on the blower label.
2. Install this blower only with approved Dacor hoods/vents. See the hood/vent installation instructions to determine suitability.
3. All models are thermally protected

ILHSF8 Blower Performance



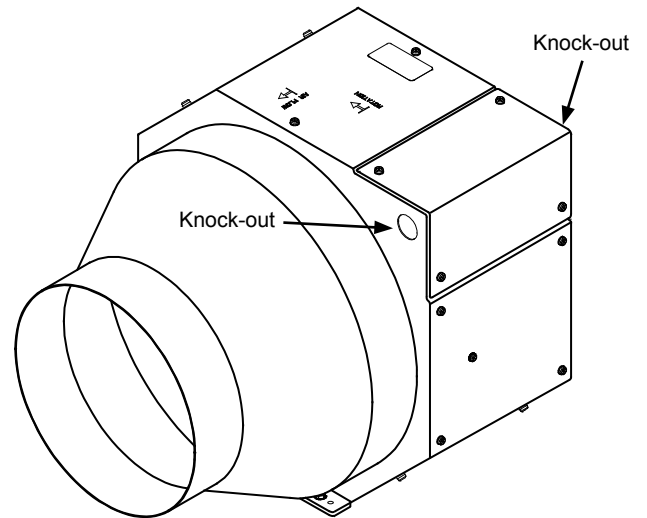
ILHSF10 Blower Performance



WARNING

To avoid the risk of fire due to the unit overheating:

- **DO NOT** install this blower with a hood or raised vent that has an internal blower.
- **DO NOT** install more than one blower to increase the length of the duct run. Even small differences between blower air flow rates can greatly reduce the air draw by the hood or raised vent.



ELECTRICAL ACCESS KNOCK-OUTS

Model Number	Weight
ILHSF8	22 lbs. (10 kg.)
ILHSF10	31 lbs. (14 kg.)