

# FREEDOM® COLLECTION 30-INCH CUSTOM FRESH FOOD COLUMN

T30IR800SP



T30IR800SP

30-Inch Flush, Reversible Door Swing

Build Your Custom Column

See pages 226-227 for details.

## SPECIFICATIONS

Total Capacity (cu. ft.)	17.1
Product Width	29 3/4"
Product Height	84"
Product Depth*	24"
Cutout Width	30"
Cutout Height	84"
Cutout Depth**	25 (24 3/4")
Door Swing Clearance	33"
Door Swing	Reversible
Annual Energy Consumption	319.01 kWh
Electrical Supply	120V/15 Amp Circuit
Power Cord Included	120V 3-Wire
Shipping Weight (lbs.)	421

\*Depth without door panel

\*\*Minimum cutout depth for flush installation with 3/4" thick panel



Contributes 1 point toward satisfying the high-efficiency appliances credit under LEED®

## T30IR800SP

### PERFORMANCE

- Dedicated compressor and evaporator
- FreeFlow® Cold Air System—air channel in the door ensures that items stored on the door are as cold as on the shelves
- Electronic controls for precise temperature management
- Full-width deli drawer
- FlexTemp® drawer optimized for fish, meat and produce
- Carbon air filter reduces odors and keeps air clean and fresh
- Full-length cantilever racks for ultimate adjustability
- Full-width glass shelves with metal trim
- Full-extension drawers at 90° door opening angle
- Gallon door bins
- SuperCool™—chills food quickly
- Sabbath mode
- Economy mode
- Vacation mode
- Door open alarm
- ENERGY STAR® qualified

### DESIGN

- FREEDOM® Hinge enables true flush design
- Full-height door—true cabinet integration without exposed venting grille
- All-LED sidewall and theater lighting
- Brightspace interior design
- Accepts custom or stainless steel panels
- Reversible door swing

## TEMPERATURE RANGES

Refrigerator	35°F (2°C) to 46°F (8°C)
Temperature Controlled Drawer	Fish 32°F (0°C) Meat 35°F (1.5°C) Produce 37°F (3°C)
Deli Drawer	Just above 32°F (0°C)
SuperCool™	35.5°F (2°C) for approximately 9 hours
Energy Saving (Economy) Mode	45°F (7°C)

## ACCESSORIES

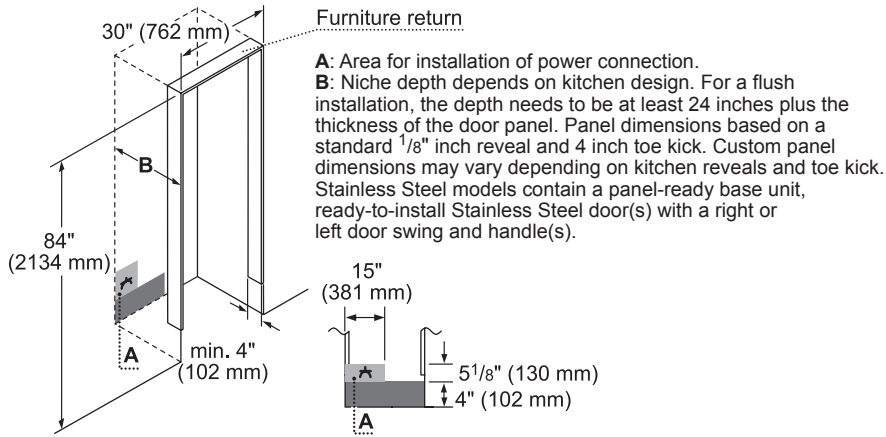
See page 241 for Freedom Collection accessories.

TFL30IR800 30" Flat Stainless Steel Panel	PR36HNDL10 36" Professional Handle	FRAMEKIT10 Freedom Frame Kit
TCH30IR800 30" Chiseled Stainless Steel Panel	MS36HNDL10 36" Masterpiece® Handle	HEATRKIT10 Freedom Heater Kit

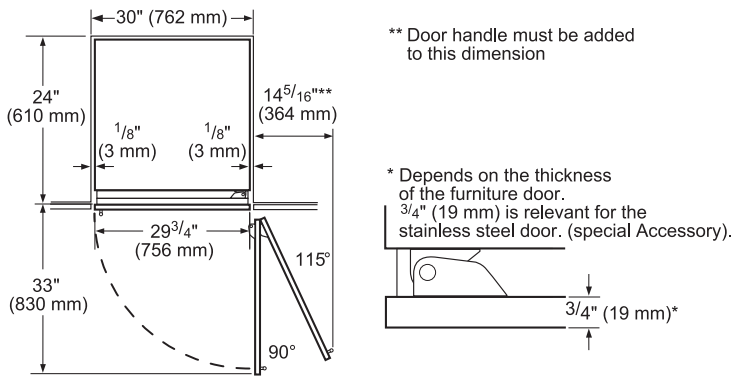
# FREEDOM® COLLECTION 30-INCH CUSTOM FRESH FOOD COLUMN

T30IR800SP

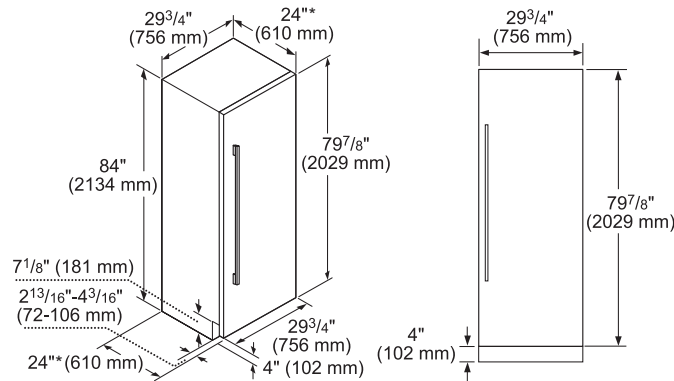
## CUTOUT DIMENSIONS



## TOP VIEW CLEARANCE



## PANEL DIMENSIONS



\*Excludes thickness of door panel. If standard panel with 3/4" thickness is mounted, total depth is 24 3/4".



All refrigerators are UL and CUL approved.