



# BOSCH



### 24" Compact Condensation Dryer

Axxis - White  
WTE86300US

#### Key Features

- Ventless Drying Required No Ducting
- Large Capacity on Compact Footprint
- 11 Drying Cycles and 4 Drying Options
- LED Display with Remaining Time
- Long-lasting One Piece Stainless Steel Structured Drum

#### Design

- Neat White - European Design
- See-thru Silver Door
- LED Display with Remaining Time
- Advance Touch Control Technology
- Stackable - Space Saving

#### Performance

- Sensor-controlled Automatic Drying Programs
- Unique Drum Pattern Creates Air Cushions to Protect Clothes
- 4 Temperature Settings
- Intelligent Sensors Prevents Overheating
- Wool Cycle for Machine-Washable Woolen Textiles
- Touch Up - 20 min Cycle for Extreme Sensitive Fabrics
- 40 Minutes Timed Program
- Short Program for Small Loads
- Low Heat Option Reduces Heat on Specified Program
- Easy Ironing Option
- Extended WrinkleBlock Up to 120 min After the Drying Cycle

#### Efficiency

- Moisture Sensor Prevents Wasted Energy and Overdrying
- 118 CFM High Air Flow

#### Convenience

- Ventless Drying Required No Ducting
- Stackable - Space Saving
- Washer Plugs into Dryer for Easy Installation
- Extra Fine Double Lint-Filter for Easy Cleaning
- 24 Hour Delay Start Timer

#### Capacity

- 3.9 Cubic Foot Drum - Large Capacity for Compact Dryers

#### Included accessories

- WTZ11310UC Connection set
- WTZ11300UC Connection set with pull out tray
- WMZ20500 Platform with pull-out

#### Optional accessories

- WTZ11310UC Connection set
- WTZ11300UC Connection set with pull out tray
- WMZ20500 Platform with pull-out

#### Alternative colors available

#### Technical Data

##### Product Features

UPC code : 825225845812  
 Door ring : Silver  
 Buttons : silver  
 Dial : white  
 Door Hinge : Right  
 Silence level (dBA) : 67  
 Energy Source : Electric  
 Watts (W) : 2800  
 Current (A) : 12  
 Volts (V) : 208-240  
 Frequency (Hz) : 60  
 Power cord included : Yes  
 Power cord length (in) : 57"  
 Plug type : 240V-4 prong  
 Overall appliance dimensions (HxWxD) (in) : 33 3/16" x 23 9/16" x 24 5/8"  
 Product packaging dimensions (HxWxD) (in) : 34.25 x 24.80 x 26.77  
 Net weight (lbs) : 99  
 Gross weight (lbs) : 101  
 Tub Material : Stainless steel  
 Capacity (cu. ft.) : 3.9  
 Stackability : Yes  
 Dryer Type : Condensing

##### Consumption and connection features

Number of Options : 4  
 Timed Dry : Yes  
 Display : Yes  
 Status indicator : LED

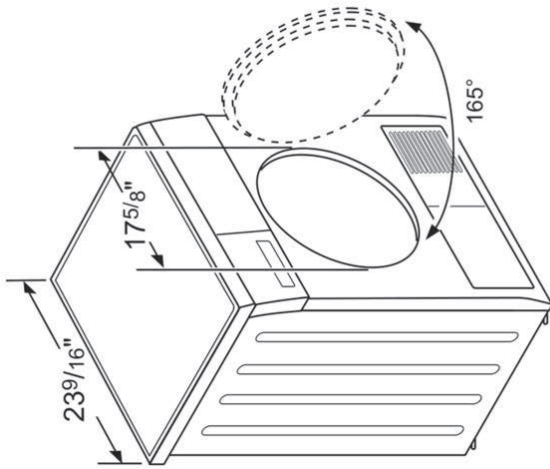
Bosch  
 WTE86300US  
 Tumble dryer  
 Predecessor:  
 Successor:

EAN code:  
 4242002414799  
 sales programme:

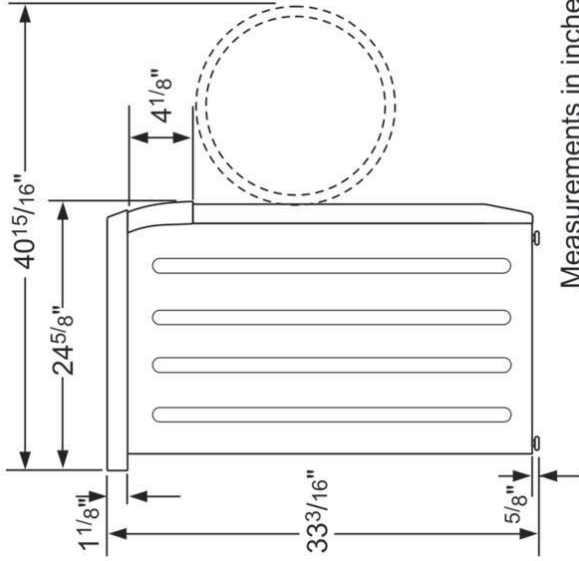


**BOSCH**

24" Compact Condensation Dryer  
Axxis - White  
WTE86300US



Measurements in inches



Measurements in inches