



BOSCH



24" Compact Vented Dryer

Axxis - White
WTUV76100US

Key Features

- Vented Drying
- Large Capacity on Compact Footprint
- 9 Drying Cycles and 2 Drying Options
- Multi-Function Status LED
- Long-lasting One Piece Stainless Steel Structured Drum

Design

- Neat White - European Design
- See-thru Silver Door
- Multi-Function Status LED
- Advance Touch Control Technology
- Stackable - Space Saving

Performance

- Sensor-controlled Automatic Drying Programs
- Unique Drum Pattern Creates Air Cushions to Protect Clothes
- 4 Temperature Settings
- Intelligent Sensors Prevents Overheating
- Touch Up - 20 min Cycle for Extreme Sensitive Fabrics
- 40 Minutes Timed Program
- Low Heat Option Reduces Heat on Specified Program
- Extended WrinkleBlock Up to 60 min After the Drying Cycle

Efficiency

- Moisture Sensor Prevents Wasted Energy and Overdrying
- 110 CFM High Air Flow

Convenience

- Stackable - Space Saving
- Washer Plugs into Dryer for Easy Installation
- Extra Fine Double Lint-Filter for Easy Cleaning

Capacity

- 3.9 Cubic Foot Drum - Large Capacity for Compact Dryers

Included accessories

- WMZ20500 Platform with pull-out
- WTZ11310UC Connection set
- WTZ11300UC Connection set with pull out tray

Optional accessories

- WMZ20500 Platform with pull-out
- WTZ11310UC Connection set
- WTZ11300UC Connection set with pull out tray

Alternative colors available

Technical Data

Product Features

UPC code : 825225852209
 Door ring : Silver
 Buttons : silver
 Dial : white
 Door Hinge : Right
 Silence level (dBA) : 65
 Energy Source : Electric
 Watts (W) : 2800
 Current (A) : 12
 Volts (V) : 208-240
 Frequency (Hz) : 60
 Power cord included : Yes
 Power cord length (in) : 57"
 Plug type : 240V-4 prong
 Length outlet hose (in) : 78.74
 Overall appliance dimensions (HXWxD) (in) : 33 3/16" x 23 9/16" x 24 5/8"
 Product packaging dimensions (HXWxD) (in) : 34.25 x 24.80 x 27.55
 Net weight (lbs) : 95
 Gross weight (lbs) : 97
 Tub Material : Stainless steel
 Capacity (cu. ft.) : 3.9
 Stackability : Yes
 Dryer Type : Vented

Consumption and connection features

Number of Options : 2
 Timed Dry : Yes
 Location of Vent : At rear, Left-hand
 Display : No
 Status indicator : LED

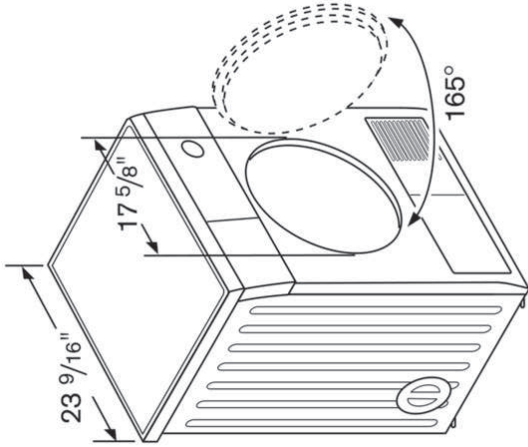
Bosch
 WTUV76100US
 Tumble dryer
 Predecessor:
 Successor:

EAN code:
 4242002438689
 sales programme:

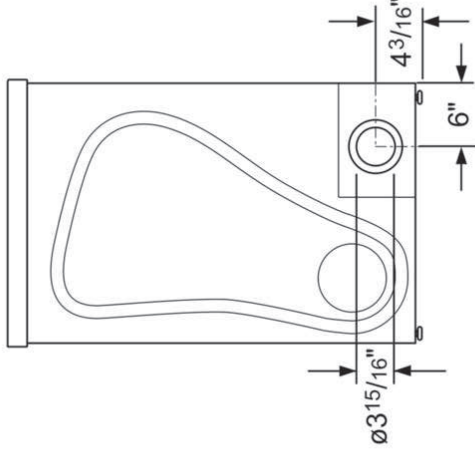


BOSCH

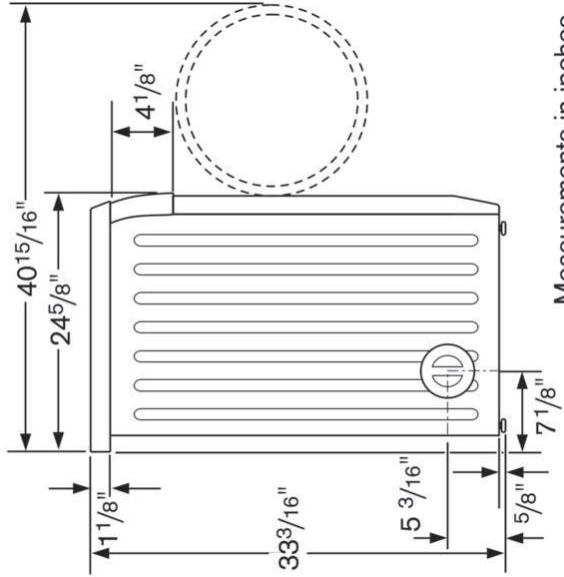
24" Compact Vented Dryer
Axxis - White
WTV76100US



Measurements in inches



Measurements in inches



Measurements in inches