



DV400EWHDR

7.2 cu. ft. Capacity Electric Top Loading Dryer

Features

- 7.2 cu. ft. Capacity
- 9 Preset Drying Cycles
- 5 Options
- 3 Temperature Settings
- 4 Way Venting

Convenience

- Sensor Dry – Detects Moisture and Adjusts Time
- Child Lock
- Lint Filter Indicator
- Remaining Time Display
- Adjustable End-of-Cycle Signal



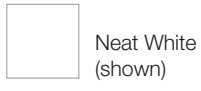
9 Cycles



5 Options

Signature Features

Available Colors



Sanitize Cycle

Peace of mind with NSF® certified sanitization cycle. Eliminates 99.9% of household germs from laundry.

Sensor Dry A perfect dry every time

Automatically adjusts drying time by sensing moisture so your clothes are never over or under dried.

Wrinkle Prevent Option to reduce ironing time

Intermittently tumbles clothes at the end of the drying cycle to help prevent wrinkles from setting in.



Ranked **“Highest in Customer Satisfaction with Clothes Dryers”** by J.D. Power and Associates.*

* Samsung received the highest numerical score for clothes washers (2009-2010) and dryers (2008-2010) in the proprietary J.D. Power and Associates Laundry Appliance Studies™. 2010 study based on 10,344 total responses measuring 17 brands and measures opinions of consumers who purchased their washer or dryer from a retail store or their new-home builder during the previous 24 months. Proprietary study results are based on experiences and perceptions of consumers surveyed in March-April 2010. Your experiences may vary. Visit jdpower.com.



DV400EWHDR

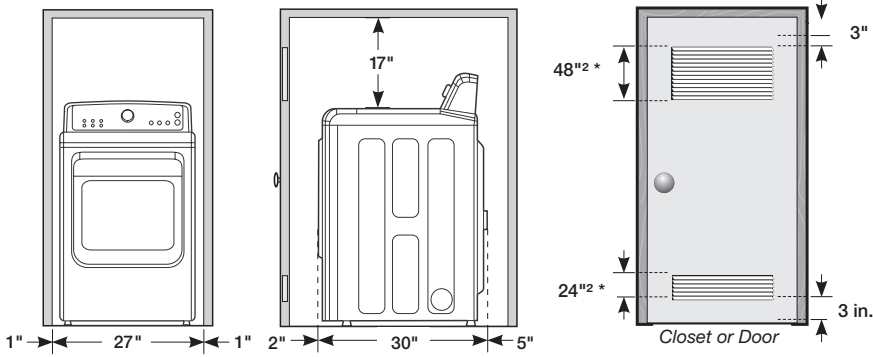
7.2 cu. ft. Capacity Electric Top Loading Dryer

Installing your dryer

Alcove or closet installation

Recessed Area

Side View Confined



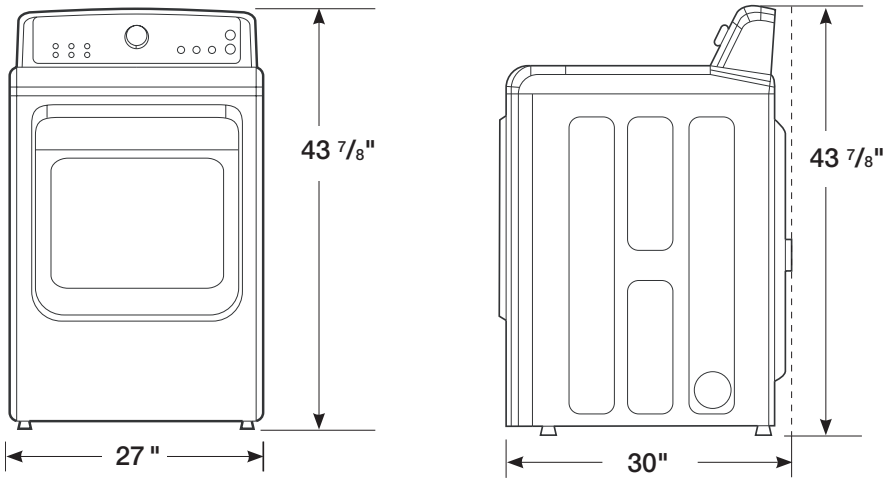
Minimum clearances for closets and alcove:

- Sides - 1"
- Top - 17"
- Rear - 5"
- Closet Front - 2"

If the washer and dryer are installed together, the closet front must have at least a 72 in² (465cm²) unobstructed air opening. Your washer alone does not require a specific air opening.

* Required spacing
 ** External exhaust elbow requires additional space.

Dimensions



Fabric Care

9 Preset Dry Cycles

Normal, Heavy Duty, Permanent Press, Bedding, Delicates, Sanitize, Time Dry, Quick Dry, Wrinkle Release

5 Options

Wrinkle-prevent, Adjust Time, Child Lock, Signal On/Off button, My Cycle

3 Temperature Settings

High, Medium, Low

4 Dry Levels

Very Dry, More Dry, Normal Dry, Damp Dry

2 Signal Sound Levels

On, Off

Accessories:

Vent Kit: DV-1A

Warranty

One (1) Year All Parts and Labor
 Two (2) Years Control Board

Product Dimensions + Weight

Dimensions: (WxHxD) 27" x 43 7/8" x 30"
 Weight: 125.6 lbs / 57 kg

Shipping Dimensions + Weight

Dimensions: (WxHxD) 29 1/2" x 46 1/2" x 31 1/8"
 Weight: 134.4 lbs / 61 kg

Color	Model #	UPC Code
Neat White	DV400EWHDR	036725590434

Matching Washer		
Neat White	WA400PJHWR	036725590427



DV400GWHDR

7.2 cu. ft. Capacity Gas Top Loading Dryer

Features

- 7.2 cu. ft. Capacity
- 9 Preset Drying Cycles
- 5 Options
- 4 Temperature Settings
- 3 Way Venting

Convenience

- Sensor Dry – Detects Moisture and Adjusts Time
- Child Lock
- Lint Filter Indicator
- Remaining Time Display
- Adjustable End-of-Cycle Signal



9 Cycles



5 Options

Signature Features

Available Colors



Sanitize Cycle

Peace of mind with NSF® certified sanitization cycle. Eliminates 99.9% of household germs from laundry.

Sensor Dry A perfect dry every time

Automatically adjusts drying time by sensing moisture so your clothes are never over or under dried.

Wrinkle Prevent Option to reduce ironing time

Intermittently tumbles clothes at the end of the drying cycle to help prevent wrinkles from setting in.



Ranked **"Highest in Customer Satisfaction with Clothes Dryers"** by J.D. Power and Associates.*

* Samsung received the highest numerical score for clothes washers (2009-2010) and dryers (2008-2010) in the proprietary J.D. Power and Associates Laundry Appliance Studies™. 2010 study based on 10,344 total responses measuring 17 brands and measures opinions of consumers who purchased their washer or dryer from a retail store or their new-home builder during the previous 24 months. Proprietary study results are based on experiences and perceptions of consumers surveyed in March-April 2010. Your experiences may vary. Visit jdpower.com.



DV400GWHDR

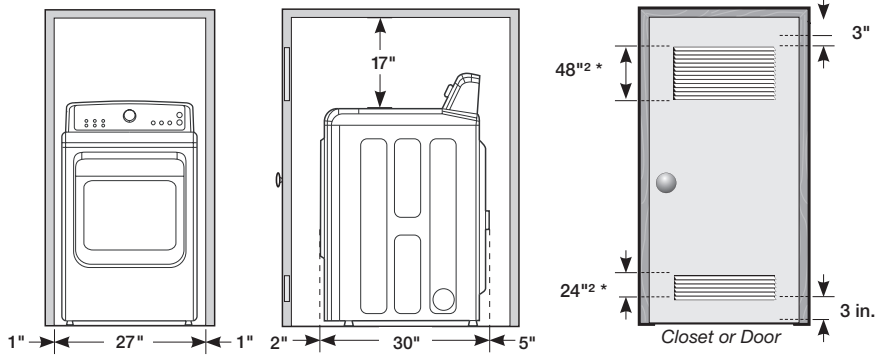
7.2 cu. ft. Capacity Gas Top Loading Dryer

Installing your dryer

Alcove or closet installation

Recessed Area

Side View Confined



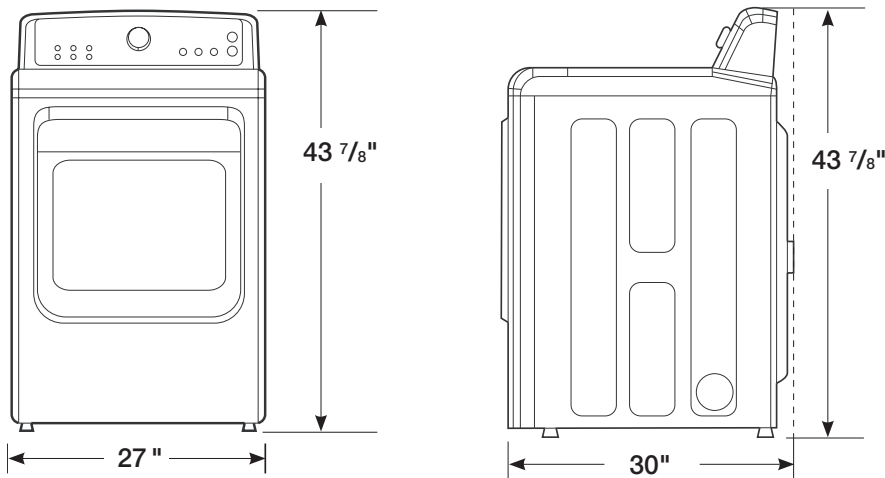
Minimum clearances for closets and alcove:

- Sides - 1"
- Top - 17"
- Rear - 5"
- Closet Front - 2"

If the washer and dryer are installed together, the closet front must have at least a 72 in² (465cm²) unobstructed air opening. Your washer alone does not require a specific air opening.

* Required spacing
 ** External exhaust elbow requires additional space.

Dimensions



Fabric Care

9 Preset Dry Cycles

Normal, Heavy Duty, Permanent Press, Bedding, Delicates, Sanitize, Time Dry, Quick Dry, Wrinkle Release

5 Options

Wrinkle-prevent, Adjust Time, Child Lock, Signal On/Off button, My Cycle

3 Temperature Settings

High, Medium, Low

4 Dry Levels

Very Dry, More Dry, Normal Dry, Damp Dry

2 Signal Sound Levels

On, Off

Accessories:

Vent Kit: DV-1A

Warranty

One (1) Year All Parts and Labor
 Two (2) Years Control Board

Product Dimensions + Weight

Dimensions: (WxHxD) 27" x 43 7/8" x 30"
 Weight: 125.6 lbs / 57 kg

Shipping Dimensions + Weight

Dimensions: (WxHxD) 29 1/2" x 46 1/2" x 31 1/8"
 Weight: 134.4 lbs / 61 kg

Color	Model #	UPC Code
Neat White	DV400GWHDR	036725590441

Matching Washer		
Neat White	WA400PJHWR	036725590427