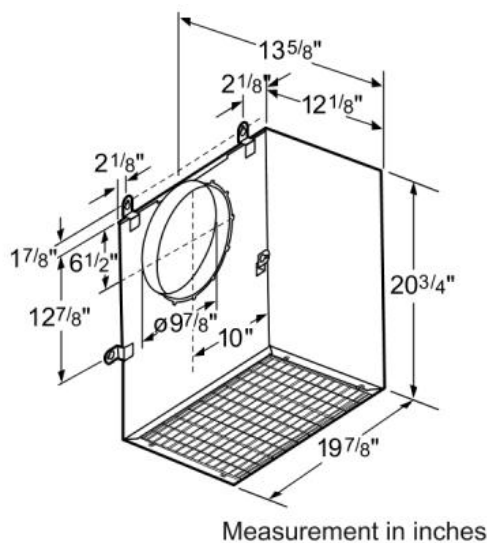




### Design

- Can be mounted on the exterior of the home to minimize noise in the cooking area
- Can be roof-mounted or mounted on an exterior wall, depending on appearance preferences or to best suit the ducting application
- Must order Roof Plate (RFPLT1000) when using a 1000CFM or 1300CFM remote blower in a roof-mount application
- Always refer to installation manual for detailed instructions



Frequency (Hz)	60
Approval certificates	CSA, UL
Plug type	120V-3 prong
Net weight (lbs)	44
Gross weight (lbs)	49
Diameter of air duct (in) top	10
Discharge direction	downward
Operating mode	Ducted
Optional accessories	RFPLT1000

