

Bosch  
SHV9ER53UC  
Integra 800+ dishwasher 6+5 fi

Predecessor:  
Successor:

EAN code:  
4242002670058

sales programme:

**24" Panel Ready Dishwasher**  
**800 Plus Series**  
**SHV9ER53UC**

**Key Features**

- 39 dBA- Quietest in North America
- 3rd Rack for Additional Loading Capacity
- ActiveTab™ Tray Optimizes Detergent Dissolving
- Water Softener Ensures Perfect Cleaning Results
- AquaStop® Plus 4-Part Leak Protection Works 24/7
- Load Size Sensor Automates Wash Temperature

**Design**

- Stainless Steel TallTub
- Real Stainless Steel Fascia Panel
- Red Remaining Time Display

**Performance**

- 39 dBA- Quietest in North America
- InfoLight® Beams on the Floor to Indicate Dishwasher is Running
- 6 Wash Cycles and 5 Options
- Sanitize Option eliminates bacteria and enhances drying results
- Variable Spray Pressure
- ActiveTab™ Tray Optimizes Detergent Dissolving
- Water Softener Ensures Perfect Cleaning Results
- Load Size Sensor Automates Wash Temperature

**Efficiency**

- Saves up to 436 gallons of water each year
- 200 kWh/yr - Energy Star®
- Exceeds ENERGY STAR Requirements for Water by 125%
- EcoSense™ Reduces Energy Usage by up to 20%
- Half Load Option for Small Loads

**Convenience**

- AquaStop® Plus 4-Part Leak Protection Works 24/7
- Multi-Function LED with Remaining Time
- 24 h Delay Start Timer
- Express Wash - In 30 Minutes or Less
- Auto Delicate Wash for Fine China
- Glass Care Cycle for Fine Glassware

**Capacity**

- 15 Place Setting Capacity
- VarioFlex™ Plus Racks for Flexible Loading
- RackMatic® Plus - Upper Rack adjusts to 3 Different Loading Levels
- Extra Tall Item Sprinkler Cleans Items 22" Tall
- 3rd Rack for Additional Loading Capacity

**Included accessories**

bottle holder metal, large item spray head, Rack clip insert, Small upper cutlery rack

**Optional accessories**

- SMZ5000 Dishwasher Accessory kit
- SGZ9091UC finish salt for dishwashers

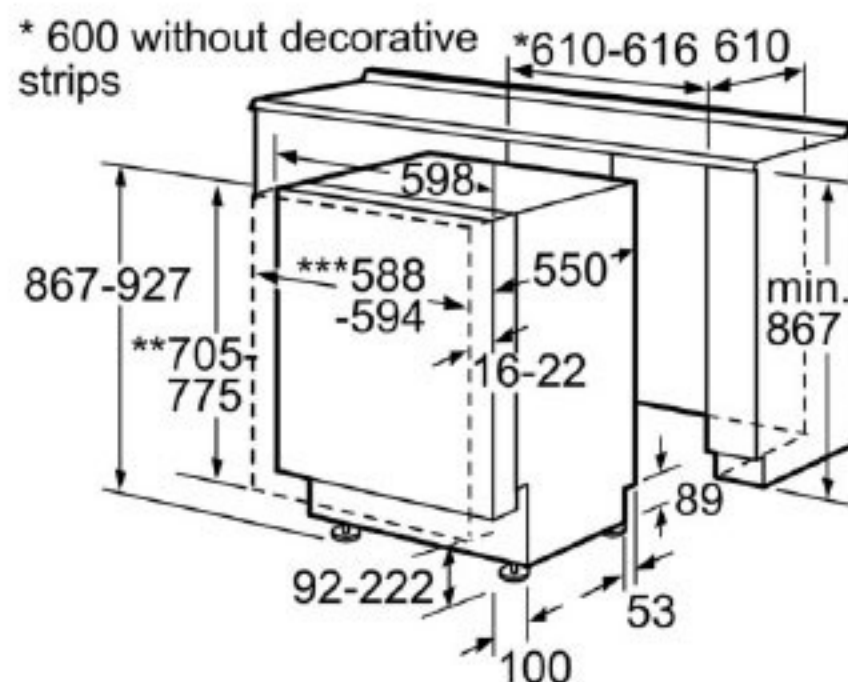
**Alternative colors available**

**Technical Data**

**Product Features**  
Leak Protection System : 24/7 Aqua Stop Plus  
ChildLock : Yes  
Water softener : Yes  
Upper Rack : high  
Adjustable upper rack : Rackmatic 3-stage  
Upper rack cup shelf : 2  
Lower Rack : high  
Lower rack cup shelf : 2  
3rd Rack : 3rd Rack 1.0  
Silverware basket : Standard  
Optional accessories : SGZ1010, SGZ9091UC, SMZ2014, SMZ5000, SMZ5002, SMZ5100

**Consumption and connection features**  
UPC code : 825225800507  
Panel ready : Yes  
Silence level (dBA) : 39  
Watts (W) : 1300  
Current (A) : 12  
Volts (V) : 120  
Frequency (Hz) : 60  
Energy Consumption (kWh/yr) : 200  
Energy Star® qualified : Yes  
NSF certified : No  
Plug type : 120V-3 prong  
Power cord length (in) : 47 1/4"  
Length outlet hose (in) : 55 1/8"  
Length inlet hose (in) : 55 1/8"  
Required cutout size (HxWxD) (in) : 34 1/8" x 24" x 24"  
Product packaging dimensions (HxWxD) (in) : 36 7/16" x 26" x 26 3/4"  
Net weight (lbs) : 113  
Gross weight (lbs) : 118  
Adjustable feet : Yes  
Tub material : Stainless steel  
Tub type : TallTub  
ADA Compliant : No  
Number of place settings : 14

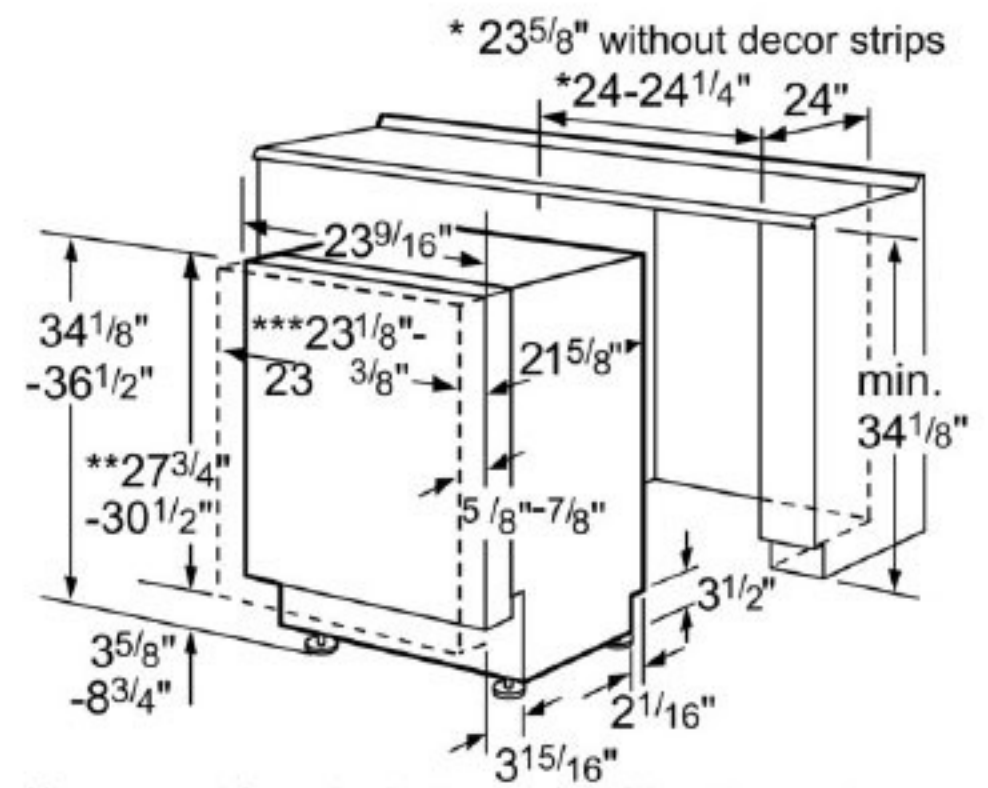
**24" Panel Ready Dishwasher**  
**800 Plus Series**  
**SHV9ER53UC**



\*\* Measured from the lower edge of the countertop. Recommended panel thickness = 19 mm. Panel weight 4-8 kg.

\*\*\* 610 mm wide door front can be used with corresponding design of the furniture.

measurements in mm



\*\* measured from the bottom edge of the countertop panel thickness recommended 3/4"

\*\*\* 24" wide panel may be used depending on cabinet design panel weight 9-18 lb

measurements in inches