



Bosch
SHV43R53UC
Integra 300 dishwasher 4+1 fi

Predecessor:
SHV43P13UC

Successor:

EAN code:
4242002660776

sales programme:

24" Panel Ready Dishwasher
300 Series
SHV43R53UC

- Key Features**
- 48 dBA- Quietest in its class
 - Sanitize Option eliminates bacteria and enhances drying results
 - AquaStop® Leak Protection
 - 300 Series Racks
 - InfoLight® Beams on the Floor to Indicate Dishwasher is Running

- Design**
- Stainless Steel TallTub
 - Silver Painted Fascia in Stainless Steel

- Performance**
- 48 dBA- Quietest in its class
 - InfoLight® Beams on the Floor to Indicate Dishwasher is Running
 - 4 Wash Cycles and 1 Options
 - Sanitize Option eliminates bacteria and enhances drying results

- Efficiency**
- Saves up to 260 gallons of water each year
 - 259 kWh/yr - Energy Star®
 - Exceeds ENERGY STAR Requirements for Water by 69%
 - EcoSense™ Reduces Energy Usage by up to 20%
 - Half Load Cycle for small loads

- Convenience**
- AquaStop® Leak Protection

- Capacity**
- 14 Place Setting Capacity
 - 300 Series Racks
 - Manual Height Adjustment Upper Rack
 - Long Silverware Basket

Included accessories

- Optional accessories**
- SGZPC001UC Powercord kit
 - SGZ1005UC S Steel door with handle for dishwasher
 - SGZ1052UC Dishwasher Accessory Kit
 - SGZ1006UC stainless steel door with handle
 - SGZ1007UC stainless steel handle (curved)
 - SMZ5002UC Anti tarnish cassette
 - SGZ1010UC Drain hose extension kit

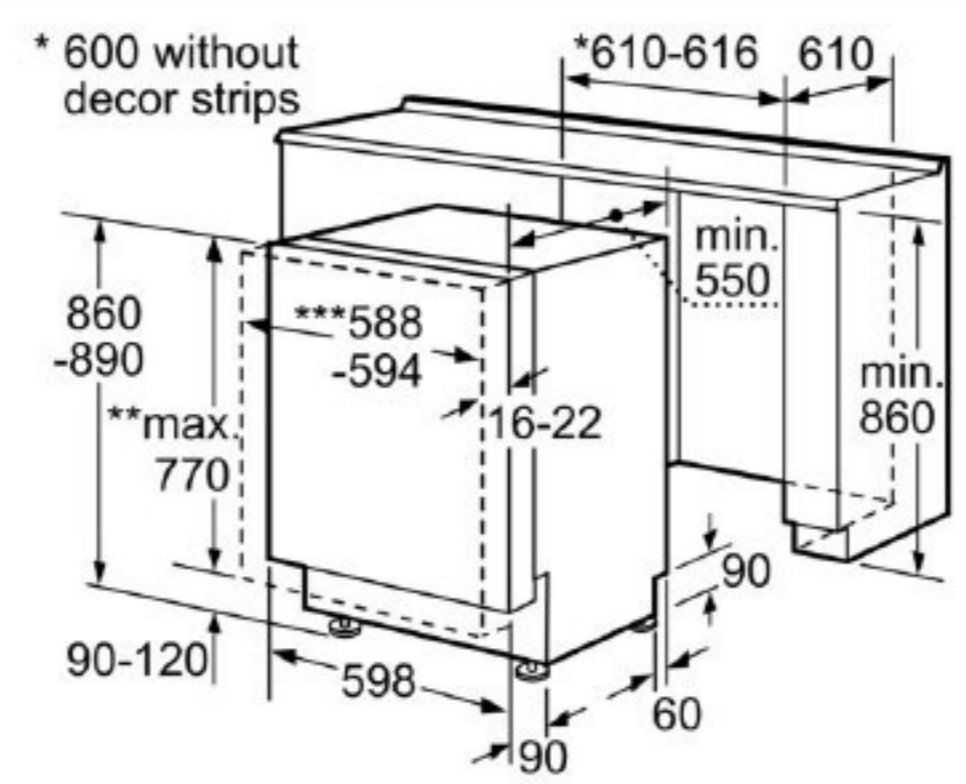
Alternative colors available

Technical Data

- Product Features**
- Leak Protection System : Aqua Stop
 - ChildLock : No
 - Water softener : No
 - Upper Rack : 300
 - Adjustable upper rack : Single
 - Upper rack cup shelf : 2
 - Lower Rack : 300
 - 3rd Rack : no
 - Silverware basket : Standard
 - Optional accessories : SGZ1005UC, SGZ1006UC, SGZ1007UC, SGZ1010UC, SGZ1052UC, SGZPC001UC, SMZ5002UC

- Consumption and connection features**
- UPC code : 825225899266
 - Panel ready : Yes
 - Silence level (dBA) : 48
 - Watts (W) : 1400
 - Current (A) : 12
 - Volts (V) : 120
 - Frequency (Hz) : 60
 - Energy Consumption (kWh/yr) : 259
 - Energy Star® qualified : Yes
 - NSF certified : Yes
 - Plug type : Fixed connection
 - Length outlet hose (in) : 70 "
 - Required cutout size (HxWxD) (in) : 33 7/8 " x 24 " x 24 "
 - Product packaging dimensions (HxWxD) (in) : 35 7/8 " x 26 7/8 " x 26 "
 - Net weight (lbs) : 88
 - Gross weight (lbs) : 98
 - Adjustable feet : Yes
 - Tub material : Stainless steel
 - Tub type : TallTub
 - ADA Compliant : No
 - Number of place settings : 14

24" Panel Ready Dishwasher
300 Series
SHV43R53UC

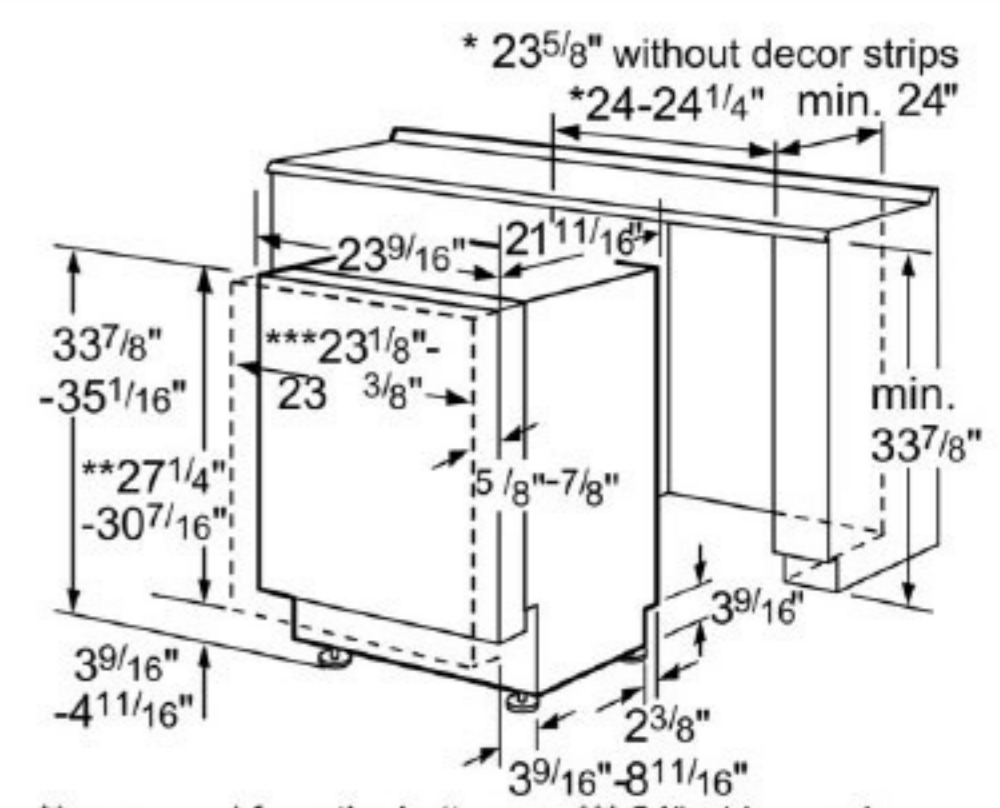


* 600 without decor strips

** measured from the bottom edge of the countertop panel thickness recommended 20 mm panel weight 9-18 lb

*** 610 wide panel may be used depending on cabinet design

measurements in mm



* 23 5/8" without decor strips

** measured from the bottom edge of the countertop panel thickness recommended 3/4" panel weight 9-18 lb

*** 24" wide panel may be used depending on cabinet design

measurements in inches