



ENGLISH

FRANÇAIS

OWNER'S MANUAL DRYER

Please read this manual carefully before operating your dryer and retain it for future reference.

DLEX2650*
DLEX2550* DLGX2551*
DLEX2450* DLGX2451*

INTRODUCTION

IMPORTANT SAFETY INSTRUCTIONS

What to Do if You Smell Gas	3
Basic Safety Precautions	4
California Safe Drinking Water and Toxic Enforcement Act	4
Grounding Instructions.....	5
Safety Instructions for Installation	5
Safety Instructions for Steam Functions	6
Safety Instructions for Connecting Electricity	7

PARTS AND FEATURES

Special Features.....	8
Key Parts and Components	9

INSTALLATION INSTRUCTIONS

Installation Location Requirements	10
Clearances	10
Installation With Optional Pedestal Base or Stacking Kit.....	11
Leveling the Dryer	12
Optional Accessories	12
To Remove the Door	13
To Install the Door	14
Changing the Dryer Vent Location	15
Venting the Dryer	16
Connecting Gas Dryers	18
Connecting Electric Dryers	20
Special Requirements for Manufactured or Mobile Homes	25
Final Installation Check	25
Installation Test (Exhaust check)	26

HOW TO USE

Control Panel Features	28
Operating the Dryer	29
Cycle Guide	30
Sorting Loads	31
Loading the Dryer	31
Check the Lint Filter Before Every Load	31
The Display	32
Cycle Setting Buttons	33
Special Functions	34
Custom Program	35
Steam Functions	35
Steam Cycle Guide	37

TROUBLESHOOTING

Regular Cleaning	38
Before Calling for Service	39
Using SmartDiagnosis™	42

THANK YOU!

Congratulations on your purchase and welcome to the LG family. Your new LG Dryer combines the most advanced drying sensor technology with simple operation and high efficiency.

Follow the operating and care instructions in this manual and your dryer will provide many years of reliable service

OPTIONAL ACCESSORIES

Optional Accessories	43
Pedestal Installation	44
Stacking Kit Installation.....	46

SPECIFICATIONS

Key Dimensions and Specifications.....	47
--	----

WARRANTY

.....	48
-------	----



IMPORTANT SAFETY INSTRUCTIONS

READ ALL INSTRUCTIONS BEFORE USE

⚠️ WARNING For your safety, the information in this manual must be followed to minimize the risk of fire or explosion, electric shock, or to prevent property damage, injury to persons, or death.

Your Safety and the safety of others is very important.

We have provided many important safety messages in this manual and on your appliance. Always read and obey all safety messages.



This is the safety alert symbol.

This symbol alerts you to potential hazards that can kill or hurt you and others.

All safety messages will follow the safety alert symbol and either the word DANGER or WARNING.

These words mean:

⚠️ DANGER: You can be killed or seriously injured if you don't immediately follow instructions.

⚠️ WARNING: You can be killed or seriously injured if you don't follow instructions.

All safety messages will tell you what the potential hazard is, tell you how to reduce the chance of injury, and tell you what can happen if the instructions are not followed.

- **Do not install a clothes dryer with flexible plastic venting materials. If flexible metal (foil type) duct is installed, it must be of a specific type identified by the appliance manufacturer as suitable for use with clothes dryers. Flexible venting materials are known to collapse, be easily crushed, and trap lint. These conditions will obstruct clothes dryer airflow and increase the risk of fire.**
- **Do not store or use gasoline or other flammable vapors and liquids in the vicinity of this appliance or any other appliances.**
- **Installation and service must be performed by a qualified installer, service agency, or the gas supplier.**
- **Install the clothes dryer according to the manufacturer's instructions and local codes.**
- **Save these instructions.**

WHAT TO DO IF YOU SMELL GAS:

1. **Do not try to light a match or cigarette, or turn on any gas or electrical appliance.**
2. **Do not touch any electrical switches. Do not use any phone in your building.**
3. **Clear the room, building, or area of all occupants.**
4. **Immediately call your gas supplier from a neighbor's phone. Follow the gas supplier's instructions carefully.**
5. **If you cannot reach your gas supplier, call the fire department.**

IMPORTANT SAFETY INSTRUCTIONS

READ ALL INSTRUCTIONS BEFORE USE

⚠️ WARNING For your safety, the information in this manual must be followed to minimize the risk of fire or explosion, electric shock, or to prevent property damage, injury to persons, or death.

BASIC SAFETY PRECAUTIONS

⚠️ WARNING: To reduce the risk of fire, electric shock, or injury to persons when using this appliance, follow basic precautions, including the following:

- Read all instructions before using the dryer.
- Before use, the dryer must be properly installed as described in this manual.
- Do not place items exposed to cooking oils in your dryer. Items contaminated with cooking oils may contribute to a chemical reaction that could cause a load to catch fire.
- Do not dry articles that have been previously cleaned in, washed in, soaked in, or spotted with gasoline, dry-cleaning solvents, or other flammable or explosive substances as they give off vapors that could ignite or explode.
- Do not reach into the dryer if the drum or any other part is moving.
- Do not repair or replace any part of the dryer or attempt any servicing unless specifically recommended in this **Use and Care Guide** or in published user-repair instructions that you understand and have the skills to carry out.
- Do not tamper with controls.
- Before the dryer is removed from service or discarded, remove the door to the drying compartment.
- Do not allow children to play on or in the dryer. Close supervision of children is necessary when the dryer is used near children.
- Do not use fabric softeners or products to eliminate static unless recommended by the manufacturer of the fabric softener or product.
- Do not use heat to dry articles containing foam rubber or similarly textured rubber-like materials.
- Keep area around the exhaust opening and adjacent surrounding areas free from the accumulation of lint, dust, and dirt.
- The interior of the dryer and exhaust vent should be cleaned periodically by qualified service personnel.
- Do not install or store the dryer where it will be exposed to the weather.
- Always check the inside of the dryer for foreign objects.
- Clean lint screen before or after each load.
- Do not store plastic, paper, or clothing that may burn or melt on top of the dryer during operation.

CALIFORNIA SAFE DRINKING WATER AND TOXIC ENFORCEMENT ACT

This act requires the governor of California to publish a list of substances known to the state to cause cancer, birth defects, other reproductive harm and requires businesses to warn customers of potential exposure to such substances.

Gas appliances can cause minor exposure to four of these substances, namely benzene, carbon monoxide, formaldehyde, and soot, caused primarily by the incomplete combustion of natural gas or LP fuels.

Properly adjusted dryers will minimize incomplete combustion. Exposure to these substances can be minimized further by properly venting the dryer to the outdoors.

IMPORTANT SAFETY INSTRUCTIONS

READ ALL INSTRUCTIONS BEFORE USE

⚠️WARNING For your safety, the information in this manual must be followed to minimize the risk of fire or explosion, electric shock, or to prevent property damage, injury to persons, or death.

GROUNDING INSTRUCTIONS

This appliance must be grounded. In the event of malfunction or breakdown, grounding will reduce the risk of electric shock by providing a path of least resistance for electric current. This appliance must be equipped with a cord having an equipment-grounding conductor and a grounding plug. The plug must be plugged into an appropriate outlet that is properly installed and grounded in accordance with all local codes and ordinances.

Do not modify the plug provided with the appliance. If it will not fit the outlet, have a proper outlet installed by a qualified electrician.

This appliance must be connected to a grounded metal, permanent wiring system or an equipment-grounding conductor must be run with the circuit conductors and connected to the equipment-grounding terminal or lead on the appliance.

Electric shock can result if the dryer is not properly grounded.

⚠️WARNING — Improper connection of the equipment-grounding conductor can result in a risk of electric shock. Check with a qualified electrician or service person if you are in doubt that the appliance is properly grounded.

SAFETY INSTRUCTIONS FOR INSTALLATION

⚠️WARNING: To reduce the risk of fire, electric shock, or injury to persons when using this appliance, follow basic precautions, including the following:

- **Properly ground dryer to conform with all governing codes and ordinances.** Follow details in the installation instructions. Electric shock can result if the dryer is not properly grounded.
- **Before use, the dryer must be properly installed as described in this manual.** Electric shock can result if the dryer is not properly grounded.
- **Install and store the dryer where it will not be exposed to temperatures below freezing or exposed to the weather.**
- **All repairs and servicing must be performed by an authorized servicer unless specifically recommended in this Owner's Guide. Use only authorized factory parts.** Failure to follow this warning can cause serious injury, fire, electric shock, or death.
- **To reduce the risk of electric shock, do not install the dryer in humid spaces.** Failure to follow this warning can cause serious injury, fire, electric shock, or death.
- **Connect to a properly rated, protected, and sized power circuit to avoid electrical overload.** Improper power circuit can melt, creating electric shock and/or fire hazard.
- **Remove all packing items and dispose of all shipping materials properly.** Failure to do so can result in death, explosion, fire, or burns.
- **Place dryer at least 18 inches above the floor for a garage installation.** Failure to do so can result in death, explosion, fire, or burns.
- **Keep all packaging from children.** Packaging material can be dangerous for children. There is a risk of suffocation.
- **Do not install near another source of heat such as a stove, cooking oven.** Failure to do so can cause deform, smoke and fire.
- **Do not place candles, smoking materials, or other flammables on top of the product.** Dripping wax, smoke, or fire can result.
- **Remove all protective vinyl film from the product.** Failure to do so can cause product damage, smoke or fire.

IMPORTANT SAFETY INSTRUCTIONS

READ ALL INSTRUCTIONS BEFORE USE

⚠ WARNING For your safety, the information in this manual must be followed to minimize the risk of fire or explosion, electric shock, or to prevent property damage, injury to persons, or death.

SAFETY INSTRUCTIONS FOR INSTALLATION

⚠ WARNING: To reduce the risk of injury to persons, follow all industry recommended safety procedures including the use of long sleeved gloves and safety glasses. Failure to follow all of the safety warnings in this manual could result in property damage, injury to persons or death.

Exhaust/Ducting:

- **Gas dryers MUST be exhausted to the outside.** Failure to follow these instructions can result in fire or death.
- **The dryer exhaust system must be exhausted to the outside of the dwelling. If the dryer is not exhausted outdoors, some fine lint and large amounts of moisture will be expelled into the laundry area.** An accumulation of lint in any area of the home can create a health and fire hazard.
- **Use only rigid metal or flexible metal 4-inch diameter ductwork inside the dryer cabinet or for exhausting to the outside. Use of plastic or other combustible ductwork can cause a fire.** Punctured ductwork can cause a fire if it collapses or becomes otherwise restricted in use or during installation.
- **Ductwork is not provided with the dryer, and you should obtain the necessary ductwork locally. The end cap should have hinged dampers to prevent backdraft when the dryer is not in use.** Failure to follow these instructions can result in fire or death.
- **The exhaust duct must be 4 inches (10.2 cm) in diameter with no obstructions. The exhaust duct should be kept as short as possible. Make sure to clean any old ducts before installing your new dryer.** Failure to follow these instructions can result in fire or death.
- **Rigid or semi-rigid metal ducting is recommended for use between the dryer and the wall. In special installations when it is impossible to make a connection with the above recommendations, a UL-listed flexible metal transition duct may be used between the dryer and wall connection only. The use of this ducting will affect drying time.** Failure to follow these instructions can result in fire or death.
- **DO NOT use sheet metal screws or other fasteners which extend into the duct that could catch lint and reduce the efficiency of the exhaust system.** Secure all joints with duct tape. For complete details, follow the Installation Instructions. Failure to follow these instructions can result in fire or death.

SAFETY INSTRUCTIONS FOR STEAM FUNCTIONS

⚠ WARNING: To reduce the risk of fire, electric shock, or personal injury when using this appliance, follow basic precautions, including the following:

- **Do not open the dryer door during steam cycles.** Failure to follow these instructions can result in a burn hazard.
- **Do not dry articles that have been previously cleaned in, washed in, soaked in, or spotted with gasoline, dry-cleaning solvents, or other flammable or explosive substances as they give off vapors that could ignite or explode.** Failure to follow these instructions can result in fire or death.
- **Do not fill the steam feeder with gasoline, dry-cleaning solvents, or other flammable or explosive substances.** Failure to follow these instructions can result in fire or death.
- **Do not touch the steam nozzle in the drum during or after the steam cycle.** Failure to follow these instructions can result in a burn hazard.
- **Do not fill the steam feeder with hot water (over 86 °F/30 °C).** Failure to follow these instructions can result in a burn hazard.

IMPORTANT SAFETY INSTRUCTIONS

READ ALL INSTRUCTIONS BEFORE USE

⚠️ WARNING For your safety, the information in this manual must be followed to minimize the risk of fire or explosion, electric shock, or to prevent property damage, injury to persons, or death.

SAFETY INSTRUCTIONS FOR CONNECTING ELECTRICITY

⚠️ WARNING: To reduce the risk of fire, electric shock, or injury to persons when using this appliance, follow basic precautions, including the following:

- **Do not, under any circumstances, cut or remove the ground prong from the power cord.** To prevent injury to persons or damage to the dryer, the electrical power cord must be plugged into a properly grounded outlet.
- **For personal safety, this dryer must be properly grounded.** Failure to do so can result in electric shock or injury.
- **Refer to the installation instructions in this manual for specific electrical requirements for your model.** Failure to follow these instructions can create an electric shock hazard and/or a fire hazard.
- **This dryer must be plugged into a properly grounded outlet. Electric shock can result if the dryer is not properly grounded. Have the wall outlet and circuit checked by a qualified electrician to make sure the outlet is properly grounded.** Failure to follow these instructions can create an electric shock hazard and/or a fire hazard.
- **The dryer should always be plugged into its own individual electrical outlet which has a voltage rating that matches the rating plate.** This provides the best performance and also prevents overloading house wiring circuits which could cause a fire hazard from overheated wires.
- **Never unplug your dryer by pulling on the power cord. Always grip plug firmly and pull straight out from the outlet.** The power cord can be damaged, resulting in a risk of fire and electric shock.
- **Repair or replace immediately all power cords that have become frayed or otherwise damaged. Do not use a cord that shows cracks or abrasion damage along its length or at either end.** The power cord can melt, creating an electric shock and/or fire hazard.
- **When installing or moving the dryer, be careful not to pinch, crush, or damage the power cord.** This will prevent injury and prevent damage to the dryer from fire and electric shock.

SAVE THESE INSTRUCTIONS

PARTS AND FEATURES

SPECIAL FEATURES

A EASY-TO-USE CONTROL PANEL

Rotate the cycle selector knob to select the desired dry cycle. Add cycle options or adjust settings with the touch of a button.

B EASY-ACCESS REVERSIBLE DOOR

The wide-opening door provides easy access for loading and unloading. The door hinge can be reversed to adjust for installation location.

C STEAM FUNCTIONS

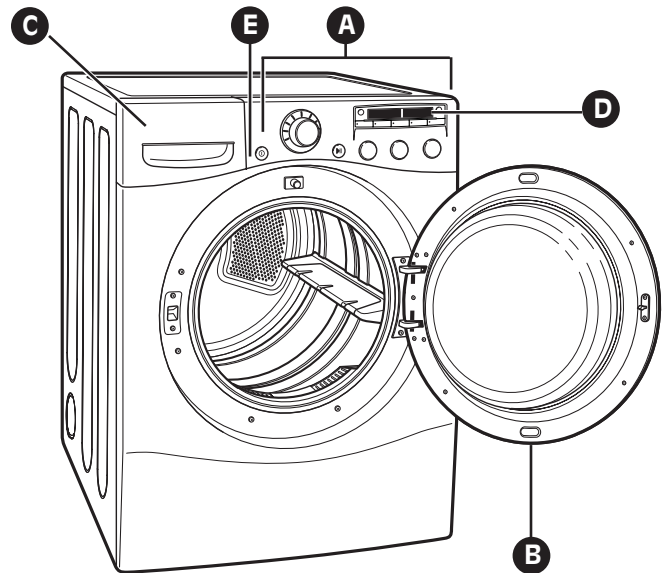
LG's steam technology allows you to inject fabrics with a swirling jet of hot steam to refresh clothes, reduce static, and make ironing easier. Simply select the STEAMFRESH™ cycle, or you can add a Steam option to selected cycles.

D FLOW SENSE™ DUCT BLOCKAGE SENSING SYSTEM INDICATOR

The FLOW SENSE™ duct blockage sensing system detects and alerts you to blockages in the ductwork that reduce exhaust flow from the dryer. Clean exhaust systems increase efficiency and reduce drying times.

E SMARTDIAGNOSIS™

Should you experience any technical difficulty with your dryer, it has the capability of transmitting data via your telephone to the Customer Information Center. The call center agent records the data transmitted from your machine and uses it to analyze the issue, providing a fast and effective diagnosis (refer to page 41).



PARTS AND FEATURES

KEY PARTS AND COMPONENTS

In addition to the special features and components outlined in the Special Features section, there are several other important components that are referenced in this manual.

A FRONT-MOUNT LINT FILTER

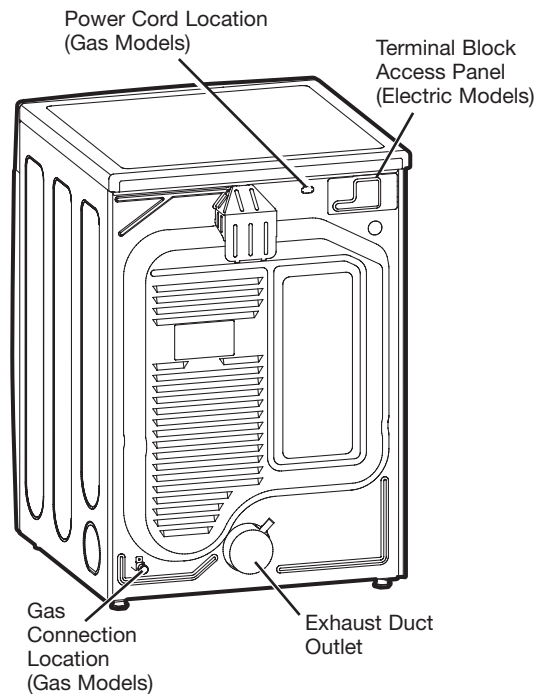
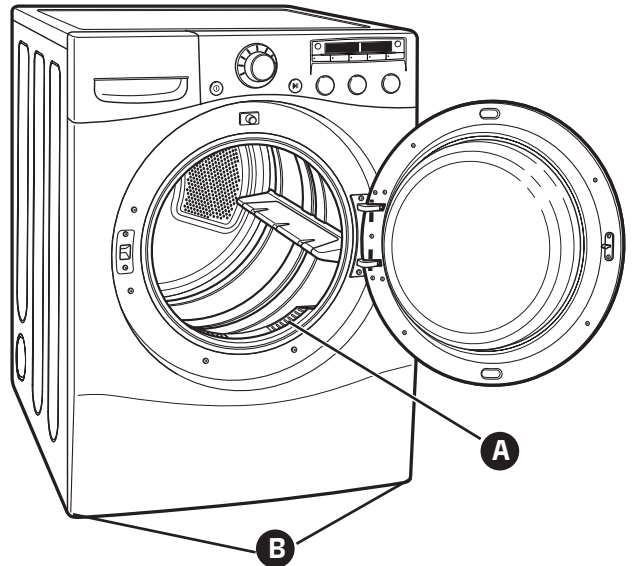
Front-mount lint filter allows for easy access and cleaning after every load.

B LEVELING FEET

Four leveling feet (two in the front, and two in the back) adjust to improve dryer stability on uneven floors.

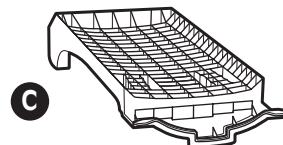
C DRYING RACK

Use the drying rack with the RACK DRY cycle to safely dry such items as sweaters, delicates and gym shoes without tumbling or overheating.



Rear of Dryer

Included Accessories



Drying Rack

INSTALLATION INSTRUCTIONS

⚠ WARNING: Read all installation instructions completely before installing and operating your dryer!

It is important that you review this entire manual before installing and using your dryer. Detailed instructions concerning electrical connections, gas connections, and exhaust requirements are provided on the following pages.

INSTALLATION LOCATION REQUIREMENTS

- A location that allows for proper exhaust installation. A gas dryer must be exhausted to the outdoors. See **Venting Requirements**.
- A grounded electrical outlet located within 2 ft. (61 cm) of either side of the dryer. See **Electrical Requirements**.
- A sturdy floor to support the total dryer weight of 200 lbs (90.7 kg). The combined weight of a companion appliance should also be considered.
- A level floor with a maximum slope of 1 inch (2.5 cm) under entire dryer. If slope is greater than 1 inch (2.5 cm), install the Extended Dryer Feet Kit. Clothes may not tumble properly, and automatic sensor cycles may not operate correctly if dryer is not level.
- For a garage installation, you will need to place the dryer at least 18 inches (46 cm) above the floor. If using a pedestal, you will need 18 inches (46 cm) to the bottom of the dryer.

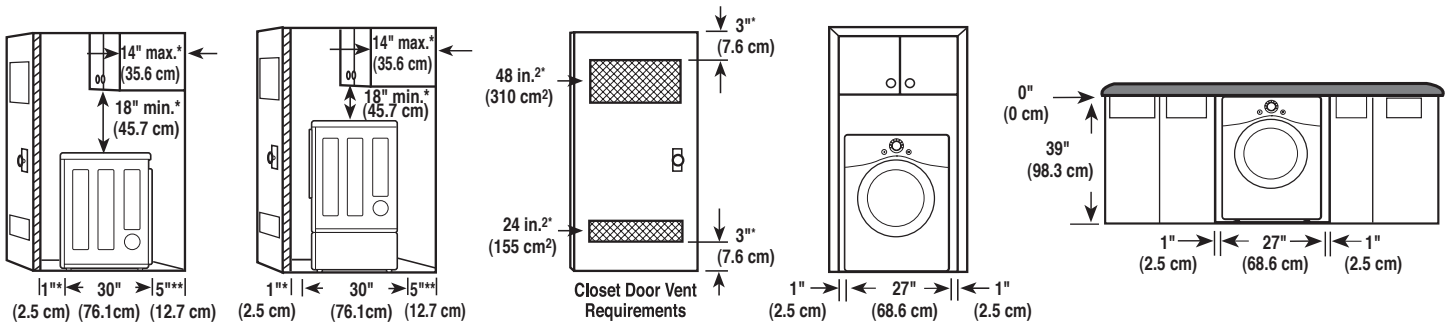
Do not operate your dryer at temperatures below 45 °F (7 °C). At lower temperatures, the dryer might not shut off at the end of an automatic cycle. This can result in longer drying times.

The dryer must not be installed or stored in an area where it will be exposed to water and/or weather.

Check code requirements. Some codes limit, or do not permit, installation of the dryer in garages, closets, mobile homes or sleeping quarters. Contact your local building inspector.

NOTE: No other fuel-burning appliance can be installed in the same closet as a dryer.

CLEARANCES



Installation spacing for recessed area or closet installation

The following spacing dimensions are recommended for this dryer. This dryer has been tested for spacing of 0 inches (0 cm) clearance on the sides and rear. Recommended spacing should be considered for the following reasons:

- Additional spacing should be considered for ease of installation and servicing.
- Additional clearances might be required for wall, door and floor moldings.

Suggestion: There should be at least a little space around the dryer (or any other appliance) to eliminate the transfer of vibration from one to the other. Too much vibration, it could cause them to make noise or touch each other causing paint damage and making even more noise.

- Additional spacing should be considered on all sides of the dryer to reduce noise transfer. For closet installation, with a door, minimum ventilation openings in the top and bottom of the door are required. Louvered doors with equivalent ventilation openings are acceptable.
- Companion appliance spacing should also be considered.

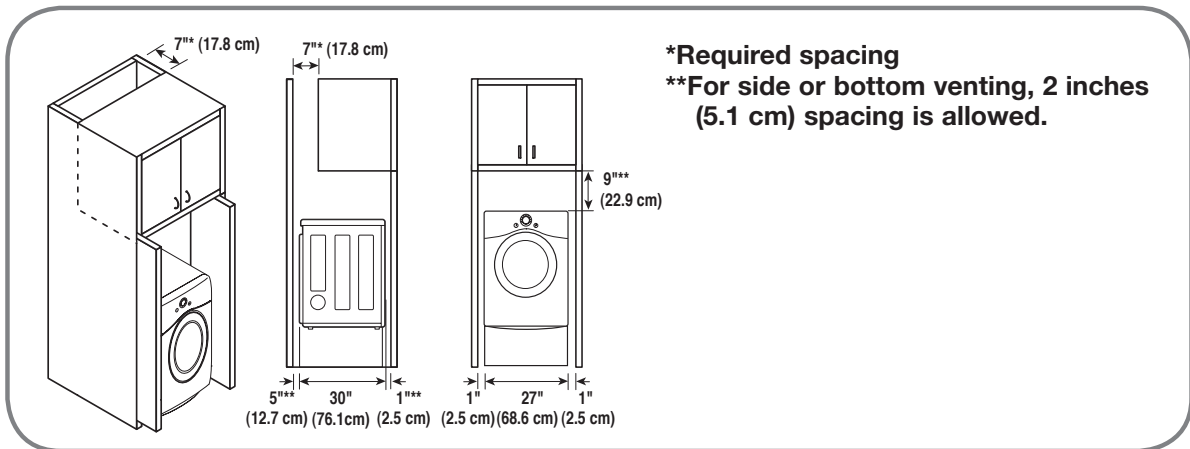
INSTALLATION INSTRUCTIONS

INSTALLATION WITH OPTIONAL PEDESTAL BASE OR STACKING KIT

⚠ WARNING : If you are installing your dryer using an optional pedestal base or stacking kit, please refer to *Optional Accessories* in this manual or to the instructions for your pedestal or stacking kit before proceeding with the installation.

Recommended installation spacing for cabinet installation

■ For cabinet installation with a door, minimum ventilation openings in the top of the cabinet are required.

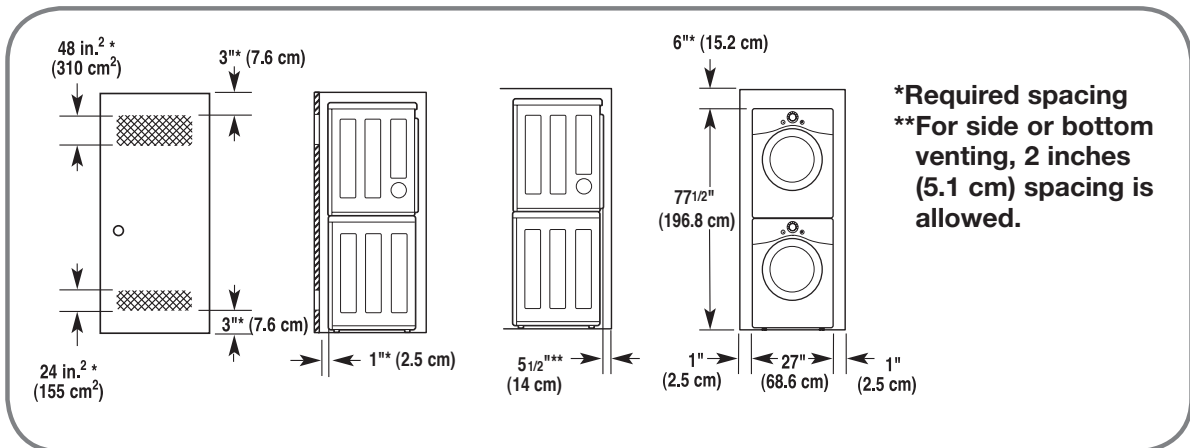


Closet ventilation requirements

Closets with doors must have both an upper and lower vent to prevent heat and moisture buildup in the closet. One upper vent opening with a minimum opening of 48 sq. in. (310 cm²) must be installed no lower than 6 feet above the floor. One lower vent opening with a minimum opening of 24 sq. in. (155 cm²) must be installed no more than one foot above the floor. One example shown uses vent grilles in the door.

Recommended installation spacing for recessed or closet installation, with stacked washer and dryer

■ The dimensions shown are for the recommended spacing.



INSTALLATION INSTRUCTIONS

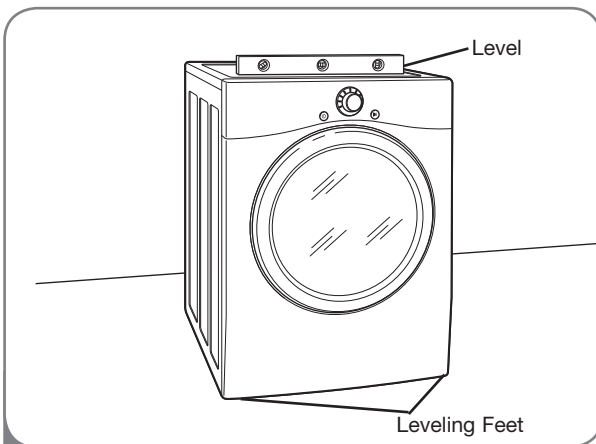
LEVELING THE DRYER

⚠ WARNING

- To reduce the risk of injury to persons, adhere to all industry recommended safety procedures including the use of long sleeved gloves and safety glasses.
- The appliances are heavy. Two or more people are required when installing the dryer.
- Failure to follow all of the safety warnings in this manual could result in property damage, injury to persons or death.

To ensure that the dryer provides optimal drying performance, it must be level. To minimize vibration, noise, and unwanted movement, the floor must be a perfectly level, solid surface.

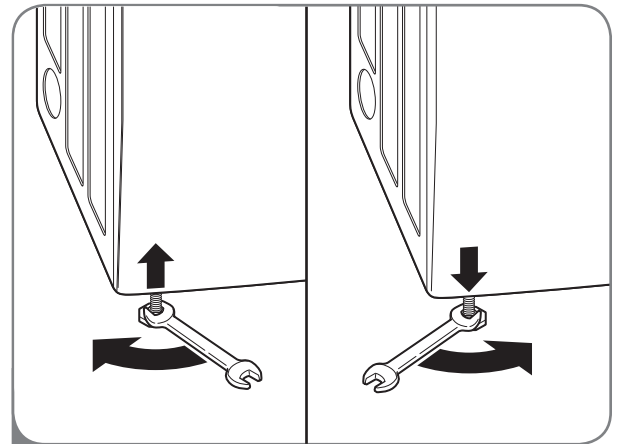
NOTE: Adjust the leveling feet only as far as necessary to level the dryer. Extending the leveling feet more than necessary can cause the dryer to vibrate.



- 1 Position the dryer in the final location. Place a level across the top of the dryer.

- All four leveling feet must rest solidly on the floor. Gently push on the top corners of the dryer to make sure that the dryer does not rock from corner to corner.

If you are installing the dryer on the optional pedestal, you must use the leveling feet on the pedestal to level the dryer. The dryer leveling feet should be fully retracted.

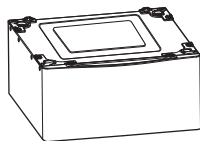


- 2 Use an adjustable wrench to turn the leveling feet. Turn clockwise to raise the dryer or counterclockwise to lower it. Raise or lower the leveling feet until dryer is level from side to side and front to back.

Make sure that all 4 leveling feet are in firm contact with the floor.

OPTIONAL ACCESSORIES

For these and other LG products, contact your local LG dealer, or visit our Web site at www.lg.com.



Pedestal
(sold separately)



Stacking Kit
(sold separately)

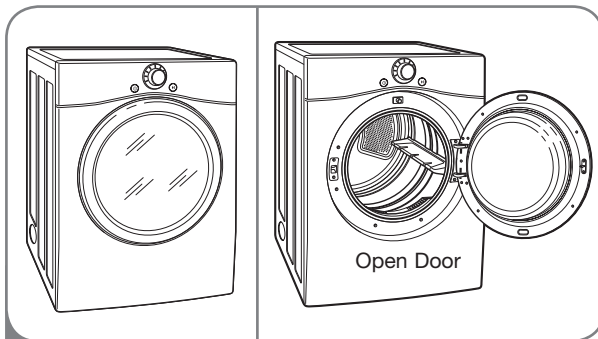
INSTALLATION INSTRUCTIONS

TO REMOVE THE DOOR

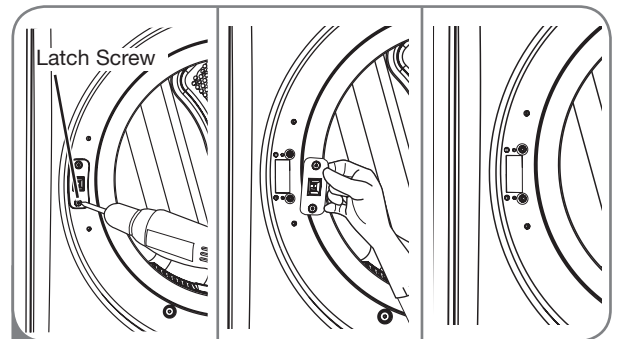
⚠ WARNING

THE DRYER DOOR IS VERY LARGE AND HEAVY. Failure to follow the instructions below can result in damage to the dryer, property damage or injury to persons .

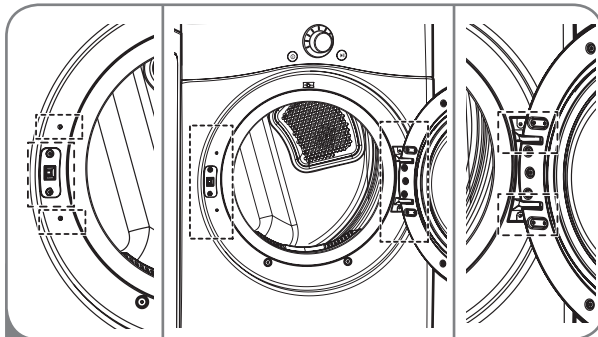
- To avoid damage to the dryer or the door, support the door with a stool or box that fits under the door, or have an assistant support the weight of the door.
- Always reverse the door **BEFORE** stacking the dryer on top of the washer.
- Avoid dropping the door to avoid damage to the door or the floor.



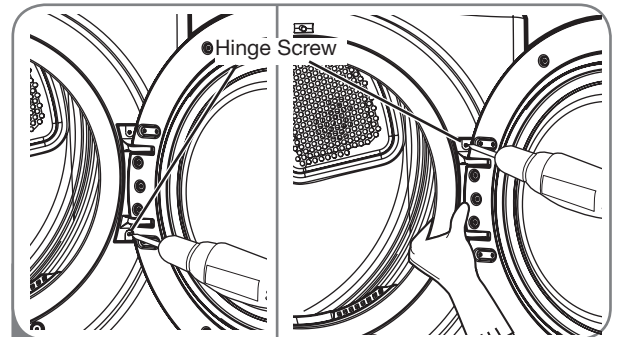
1 Open the door to reverse.



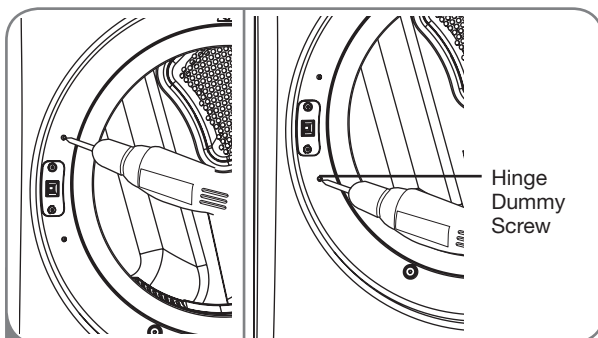
4 Remove two screws and disassembly Latch.



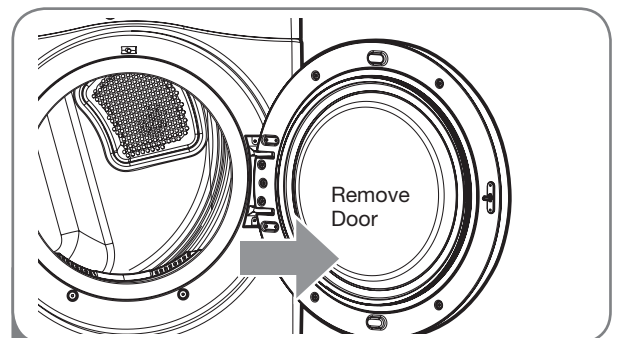
2 Check screws to remove (Left 6, Right 4).



5 Hold on the hinge while remove 4 screws of hinge (to prevent door dropping).



3 Remove four dummy screws by driver.



6 Remove door from cabinet cover.

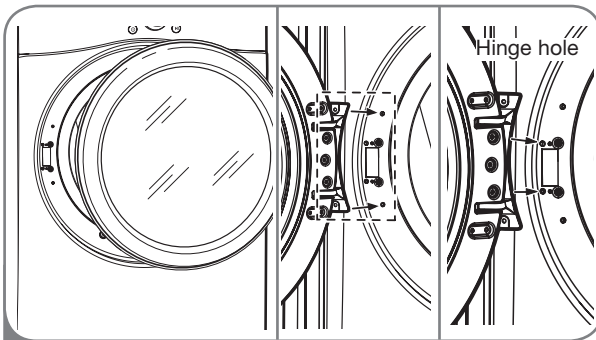
INSTALLATION INSTRUCTIONS

TO INSTALL THE DOOR

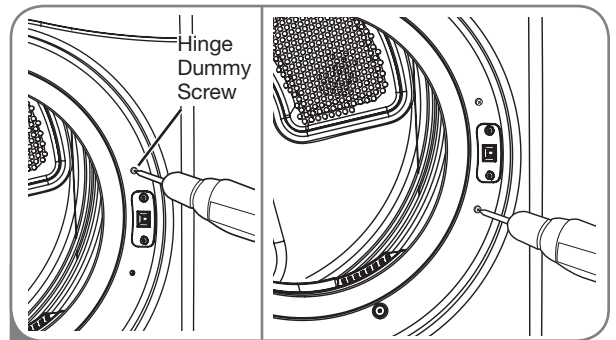
⚠ WARNING

THE DRYER DOOR IS VERY LARGE AND HEAVY. Failure to follow the instructions below can result in damage to the dryer, property damage or injury to persons .

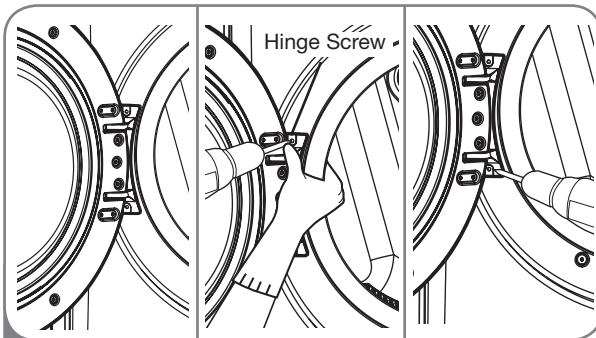
- To avoid damage to the dryer or the door, support the door with a stool or box that fits under the door, or have an assistant support the weight of the door.
- Always reverse the door BEFORE stacking the dryer on top of the washer.
- Avoid dropping the door to avoid damage to the door or the floor.



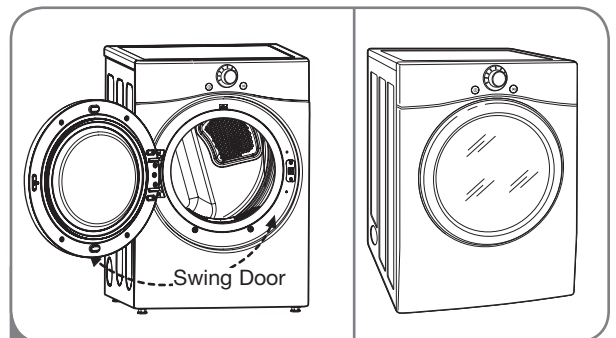
1 Move door to left side and insert a hinge to hinge hole.



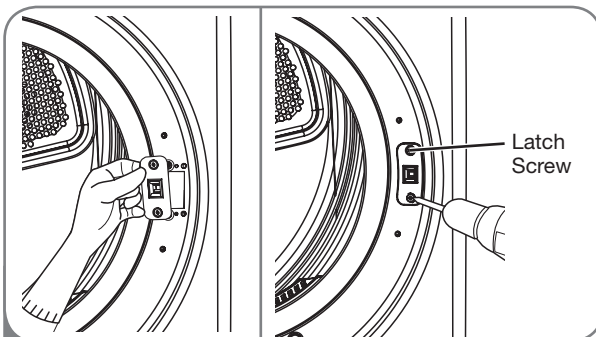
4 Screw down four dummy screws right side.



2 Hold on hinge while screw down a hinge (to prevent door dropping).



5 Check that the door closes and latches properly.



3 Insert latch to right side and install screws.

INSTALLATION INSTRUCTIONS

CHANGING THE DRYER VENT LOCATION

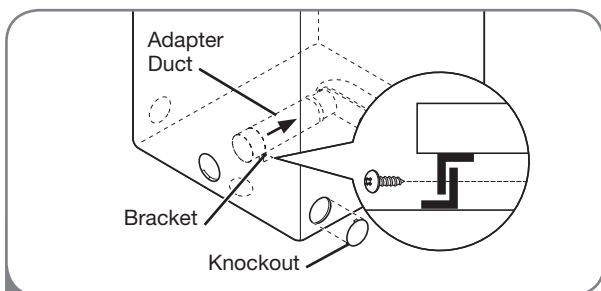
⚠ WARNING

- Use a heavy metal vent.
- Do not use plastic or thin foil duct.
- Clean old ducts before installing this dryer.
- To reduce the risk of injury to persons, adhere to all industry recommended safety procedures including the use of long sleeved gloves and safety glasses.
- Failure to follow all of the safety warnings in this manual could result in property damage, injury to persons or death.

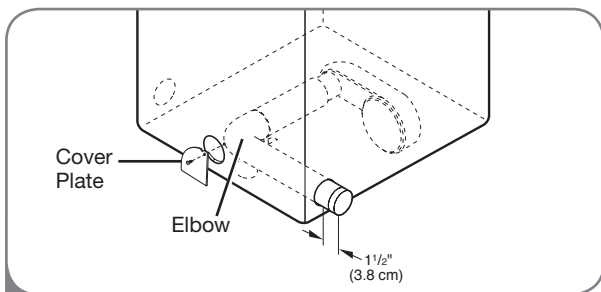
Your new dryer is shipped to vent to the rear. It can also be configured to vent to the bottom or side (right-side venting is not available on gas models).

An adapter kit, part number **383EEL9001B**, may be purchased from your LG retailer. This kit contains the necessary duct components to change the dryer vent location.

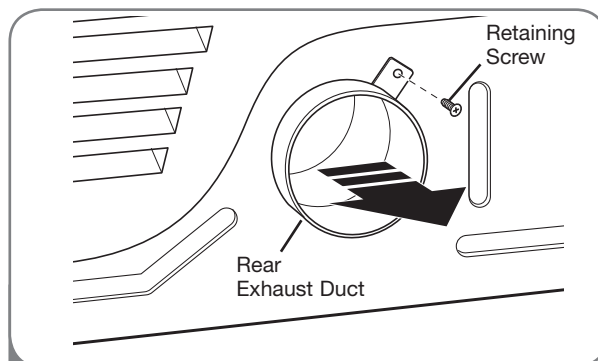
OPTION 1: Side Venting



- 2 Press the tabs on the knockout and carefully remove the knockout for the desired vent opening (right-side venting is not available on gas models). Press the adapter duct onto the blower housing and secure to the base of the dryer as shown.

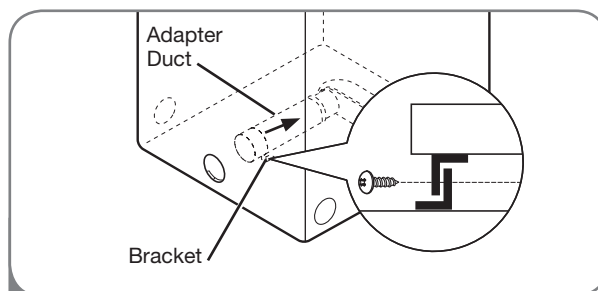


- 3 Preassemble a 4 inches (10.2 cm) elbow to the next 4-inches (10.2 cm) duct section, and secure all joints with duct tape. Be sure that the male end of the elbow faces AWAY from the dryer. Insert the elbow/duct assembly through the side opening and press it onto the adapter duct. Secure in place with duct tape. Be sure that the male end of the duct protrudes 1½ inches (3.8 cm) to connect the remaining ductwork. Attach cover plate to the back of the dryer with included screw.

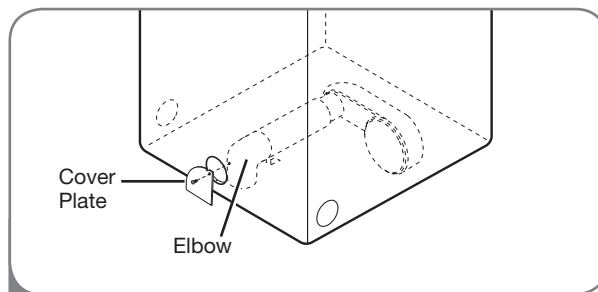


- 1 Remove the rear exhaust duct retaining screw. Pull out the exhaust duct.

OPTION 2: Bottom Venting



- 2 Press the adapter duct onto the blower housing and secure to the base of the dryer as shown.



- 3 Insert the 4 inches (10.2 cm) elbow through the rear opening and press it onto the adapter duct. Be sure that the male end of the elbow faces down through hole in the bottom of the dryer. Secure in place with duct tape. Attach the cover plate to the back of the dryer with included screw.

INSTALLATION INSTRUCTIONS

VENTING THE DRYER

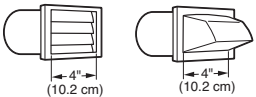
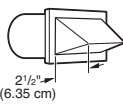
⚠ WARNING: To reduce the risk of fire, electric shock, or injury to persons when using this appliance, follow basic precautions, including the following:

- **Do not crush or collapse ductwork.** Failure to follow these instructions can result in fire or death.
- **Do not allow ductwork to rest on or contact sharp objects.** Failure to follow these instructions can result in fire or death.
- **If connecting to existing ductwork, make sure it is suitable and clean before installing the dryer.** Failure to follow these instructions can result in fire or death.
- **Venting must conform to local building codes.** Failure to follow these instructions can result in fire or death.
- **Gas dryers MUST exhaust to the outdoors.** Failure to follow these instructions can result in fire or death.
- **Use only 4-inch (10.2 cm) rigid or flexible metal ductwork inside the dryer cabinet and for venting outside.** Failure to follow these instructions can result in fire or death.
- **To reduce the risk of fire, combustion, or accumulation of combustible gases, DO NOT exhaust dryer air into an enclosed and unventilated area, such as an attic, wall, ceiling, crawl space, chimney, gas vent, or concealed space of a building.** Failure to follow these instructions can result in fire or death.
- **To reduce the risk of fire, DO NOT exhaust the dryer with plastic or thin foil ducting.** Failure to follow these instructions can result in fire or death.
- **The exhaust duct must be 4 inches (10.2 cm) in diameter with no obstructions. The exhaust duct should be kept as short as possible. Make sure to clean any old ducts before installing your new dryer.** Failure to follow these instructions can result in fire or death.
- **Rigid or semirigid metal ducting is recommended for use between the dryer and the wall. In special installations when it is impossible to make a connection with the above recommendations, a UL-listed flexible metal transition duct may be used between the dryer and wall connection only. The use of this ducting will affect drying time.** Failure to follow these instructions can result in fire or death.
- **DO NOT use sheet metal screws or other fasteners which extend into the duct that could catch lint and reduce the efficiency of the exhaust system. Secure all joints with duct tape.** Failure to follow these instructions can result in fire or death.
- **To maximize operating results, please observe the duct length limitations noted in the chart on page 17.** Failure to follow these instructions can result in fire or death.
- **Ductwork is not provided with the dryer. You should obtain the necessary ductwork locally. The end cap should have hinged dampers to prevent backdraft when the dryer is not in use.** Failure to follow these instructions can result in fire or death.
- **The Total length of flexible metal duct shall not exceed 8 ft. (2.4m)**
- **In Canada, that only those foil-type flexible ducts, if any, specifically identified for use with the appliance by the manufacturer shall be used.** In the United States, that only those foil-type flexible ducts, if any, specifically identified for use with the appliance by the manufacturer and that comply with the Outline for Clothes Dryer Transition Duct, Subject 2158A, shall be used.

INSTALLATION INSTRUCTIONS

VENTING THE DRYER (cont.)

Ductwork

Wall Cap Type	Number of 90° Elbows	Maximum Length of 4-inch Diameter Rigid Metal Duct
<p>Recommended</p> 	0	65 ft. (19.8 m)
	1	55 ft. (16.8 m)
	2	47 ft. (13.7 m)
	3	36 ft. (11.0 m)
	4	28 ft. (8.5 m)
<p>Use Only for Short Run Installations</p> 	0	55 ft. (16.8 m)
	1	47 ft. (13.7 m)
	2	41 ft. (12.5 m)
	3	30 ft. (9.1 m)
	4	22 ft. (6.7 m)

NOTE: Deduct 6 ft. (1.8 m) for each additional elbow. It is not recommended to use more than four 90° elbows.

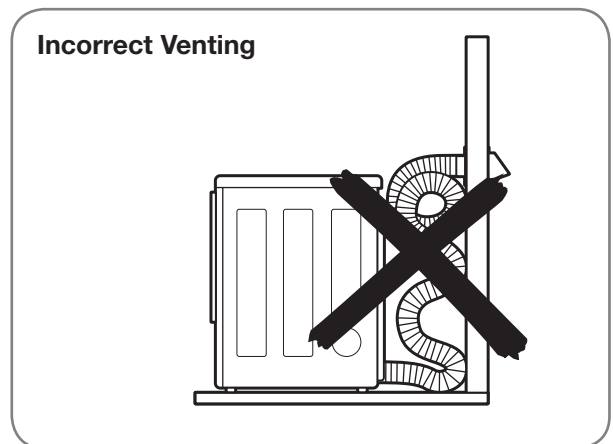
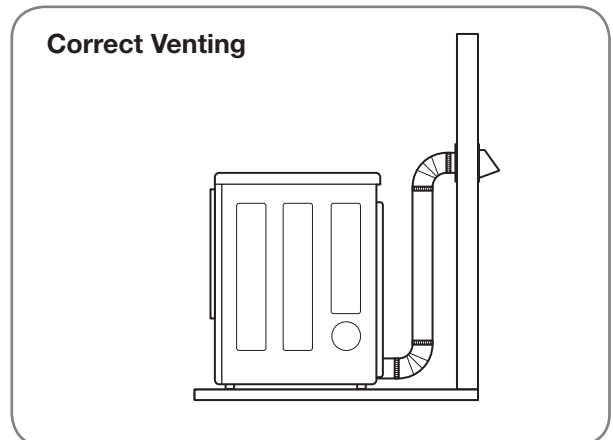
Routing and Connecting Ductwork

Follow the guidelines below to maximize drying performance and reduce lint buildup and condensation in the ductwork.

NOTE: Ductwork and fittings are NOT included and must be purchased separately.

- Use 4-inch (10.2 cm) diameter rigid or semirigid metal ductwork.
- The exhaust duct run should be as short as possible.
- Use as few elbow joints as possible.
- The male end of each section of exhaust duct **must** point away from the dryer.
- Use duct tape on all duct joints.
- Insulate ductwork that runs through unheated areas in order to reduce condensation and lint buildup on duct surfaces.

IMPORTANT: Failure to exhaust the dryer correctly will void the dryer's warranty.



INSTALLATION INSTRUCTIONS

CONNECTING GAS DRYERS

⚠ WARNING: To reduce the risk of fire, electric shock, or injury to persons when using this appliance, follow basic precautions, including the following:

- **Gas supply requirements:**
As shipped from the factory, this dryer is configured for use with natural gas. It can be converted for use with LP (Liquefied Propane) gas. Gas pressure must not exceed 13 inches of water column.
- **A qualified service or gas company technician must connect the dryer to the gas service.** Failure to do so can result in fire, explosion, or death.
- **Isolate the dryer from the gas supply system by closing its individual manual shutoff valve during any pressure testing of the gas supply.** Failure to do so can result in fire, explosion, or death.
- **Supply line requirements:**
Your laundry room must have a rigid gas supply line to your dryer. In the United States, an individual manual shutoff valve **MUST** be installed within at least 6 ft. (1.8 m) of the dryer, in accordance with the National Fuel Gas Code ANSI Z223.1 or Canadian gas installation code CSA B149.1. A 1/8 - inch NPT pipe plug must be installed. Failure to do so can result in fire, explosion, or death
- **If using a rigid pipe, the rigid pipe should be 1/2 - inch IPS. If acceptable under local codes and ordinances and when acceptable to your gas supplier, 3/8 - inch approved tubing may be used where lengths are less than 20 ft. (6.1 m). Larger tubing should be used for lengths in excess of 20 ft. (6.1 m).** Failure to do so can result in fire, explosion, or death.
- **Connect the dryer to the type of gas shown on the nameplate.** Failure to do so can result in fire, explosion, or death.
- **To prevent contamination of the gas valve, purge the gas supply of air and sediment before connecting the gas supply to the dryer. Before tightening the connection between the gas supply and the dryer, purge remaining air until the odor of gas is detected.** Failure to do so can result in fire, explosion, or death.
- **DO NOT use an open flame to inspect for gas leaks. Use a noncorrosive leak-detection fluid.** Failure to do so can result in fire, explosion, or death.
- **Use only a new AGA- or CSA-certified gas supply line with flexible stainless steel connectors.** Failure to do so can result in fire, explosion, or death.
- **Securely tighten all gas connections.** Failure to do so can result in fire, explosion, or death.
- **Use a pipe-joint compound that is insoluble in Liquefied Petroleum (LP) gas on all pipe threads.** Failure to do so can result in fire, explosion, or death.
- **DO NOT attempt any disassembly of the dryer; any disassembly requires the attention and tools of an authorized and qualified service person or company.** Failure to do so can result in fire, explosion, or death.

Electrical Requirements for Gas Models Only

⚠ WARNING: To reduce the risk of fire, electric shock, or injury to persons when using this appliance, follow basic precautions, including the following:

- **Do not, under any circumstances, cut or remove the third (ground) prong from the power cord.** Failure to follow this warning can result in fire, explosion, or death.
- **For personal safety, this dryer must be properly grounded.** Failure to follow this warning can result in fire, explosion, or death.
- **The power cord of this dryer is equipped with a 3-prong (grounding) plug which mates with a standard 3-prong (grounding) wall outlet to minimize the possibility of electric shock hazard from this appliance.** Failure to follow this warning can result in fire, explosion, or death.
- **This dryer must be plugged into a 60 Hz, 120 VAC, grounded outlet protected by a 15-ampere fuse or circuit breaker.** Failure to follow this warning can result in fire, explosion, or death.
- **Where a standard 2-prong wall outlet is encountered, it is your personal responsibility and obligation to have it replaced with a properly grounded 3-prong wall outlet.** Failure to follow this warning can result in fire, explosion, or death.

INSTALLATION INSTRUCTIONS

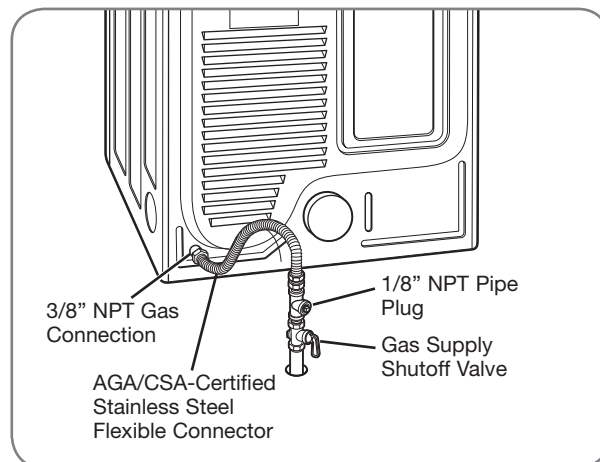
CONNECTING GAS DRYERS (cont.)

⚠ WARNING: To reduce the risk of fire, electric shock, or injury to persons when using this appliance, follow basic precautions, including the following:

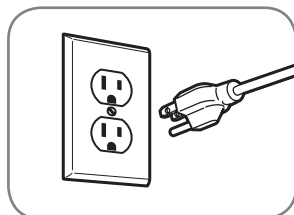
- **Installation and service must be performed by a qualified installer, service agency, or the gas supplier.** Failure to do so can result in fire, explosion, or death.
- **Use only a new stainless steel flexible connector and a new AGA-certified connector.** Failure to do so can result in fire, explosion, or death.
- **A gas shutoff valve must be installed within 6 ft. (1.8 m) of the dryer.** Failure to do so can result in fire, explosion, or death.
- **The dryer is configured for Natural Gas when shipped from the factory. Make sure that the dryer is equipped with the correct burner orifice for the type of gas being used (Natural Gas or Liquefied Petroleum).** Failure to do so can result in fire, explosion, or death.
- **If necessary, the correct orifice (for the LP orifice kit order part number 383EEL3002D) should be installed by a qualified technician and the change should be noted on the dryer.** Failure to do so can result in fire, explosion, or death.
- **All connections must be in accordance with local codes and regulations.** Failure to do so can result in fire, explosion, or death.
- **Gas dryers MUST exhaust to the outdoors.** Failure to do so can result in fire, explosion, or death.

Connecting the Gas Supply

- 1 Make sure that the gas supply to the laundry room is turned OFF. Confirm that the type of gas available in your laundry room is appropriate for the dryer. The dryer is prepared for Natural Gas with a $\frac{3}{8}$ -inch NPT gas connection.
- 2 Remove the shipping cap from the gas connection at the back of the dryer. Be careful not to damage the threads of the gas connector when removing the shipping cap.
- 3 Connect the dryer to your laundry room's gas supply using a new flexible stainless steel connector with a $\frac{3}{8}$ -inch NPT fitting.
- 4 Securely tighten all connections between the dryer and your laundry room's gas supply. Turn on your laundry room's gas supply and check all pipe connections (both internal and external) for gas leaks with a noncorrosive leak-detection fluid.



Electrical Connection



Plug dryer into a **120 VAC, 60 Hz** grounded 3-prong outlet.

High-Altitude Installations

The BTU rating of this dryer is AGA-certified for elevations below 10,000 feet.

If your gas dryer is being installed at an elevation above 10,000 feet, it must be derated by a qualified technician or gas supplier.

INSTALLATION INSTRUCTIONS

CONNECTING ELECTRIC DRYERS

⚠ WARNING: To help prevent fire, electric shock, serious injury, or death, the wiring and grounding must conform to the latest edition of the National Electrical Code, ANSI/NFPA 70 and all applicable local regulations. Please contact a qualified electrician to check your home's wiring and fuses to ensure that your home has adequate electrical power to operate the dryer.

Electrical Requirements for Electric Models Only

⚠ WARNING: To reduce the risk of fire, electric shock, or injury to persons when using this appliance, follow basic precautions, including the following:

- **This dryer must be connected to a grounded metal, permanent wiring system, or an equipment-grounding conductor must be run with the circuit conductors and connected to the equipment-grounding terminal or lead on the dryer.** Failure to do so can result in fire, explosion, or death.
- **The dryer has its own terminal block that must be connected to a separate 240 VAC, 60-Hertz, single-phase circuit, fused at 30 amperes (the circuit must be fused on both sides of the line). ELECTRICAL SERVICE FOR THE DRYER SHOULD BE OF THE MAXIMUM RATE VOLTAGE LISTED ON THE NAMEPLATE. DO NOT CONNECT DRYER TO 110-, 115-, OR 120-VOLT CIRCUIT.** Failure to follow these instructions can result in fire, explosion, or death.
- **If branch circuit to dryer is 15 ft. (4.5 m) or less in length, use UL (Underwriters Laboratories) listed No.-10 AWG wire (copper wire only), or as required by local codes. If over 15 ft. (4.50 m), use UL-listed No.-8 AWG wire (copper wire only), or as required by local codes. Allow sufficient slack in wiring so dryer can be moved from its normal location when necessary.** Failure to do so can result in fire, explosion, or death.
- **The power cord (pigtail) connection between wall receptacle and dryer terminal block IS NOT supplied with dryer. The pigtail must be the correct plug and wire gauge and must conform to local codes and with instructions on the following pages.** Failure to follow these instructions can result in fire, explosion, or death.
- **A 4-wire connection is required for all mobile and manufactured home installations, as well as all new construction after January 1, 1996. A 4-wire connection must be used where local codes do not permit grounding through the neutral wire.** Failure to do so can result in fire, explosion, or death.

⚠ WARNING: To reduce the risk of fire, electric shock, or injury to persons when using this appliance, follow basic precautions, including the following:

- Do not modify the plug and internal wire provided with the dryer.
- The dryer should be connected to 4-hole outlet.
- If it does not fit the outlet, a proper outlet will need to be installed by a qualified electrician.

Special Electrical Requirements for Mobile or Manufactured Homes

⚠ WARNING: To reduce the risk of fire, electric shock, or injury to persons when using this appliance, follow basic precautions, including the following:

- Any installation in a manufactured or mobile home must comply with the Manufactured Home Construction and Safety Standards Title 24 CFR, Part 32-80 or Standard CAN/CSA0Z240 MH and local codes and ordinances.
- **A 4-wire connection is required for all mobile and manufactured home installations, as well as all new construction after January 1, 1996.** Failure to do so can result in fire, explosion, or death.

INSTALLATION INSTRUCTIONS

CONNECTING ELECTRIC DRYERS (cont.)

USA ONLY

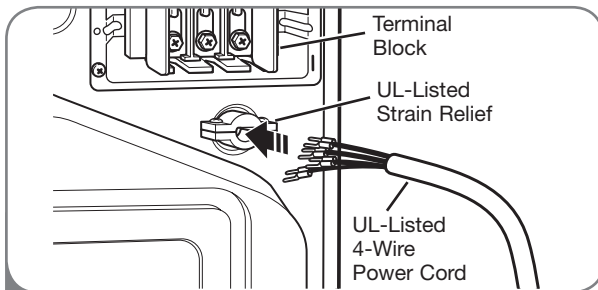
⚠ WARNING:

- Connect the power cord to the terminal block. Each colored wire should be connected to same color screw. Wire color indicated on manual is connected to the same color screw in block. Failure to follow these instructions may result in a short or overload.
- Grounding through the neutral conductor is prohibited for: (1) new branch-circuit installations, (2) mobile homes, (3) recreational vehicles, and (4) areas where local codes prohibit grounding through the neutral conductor.

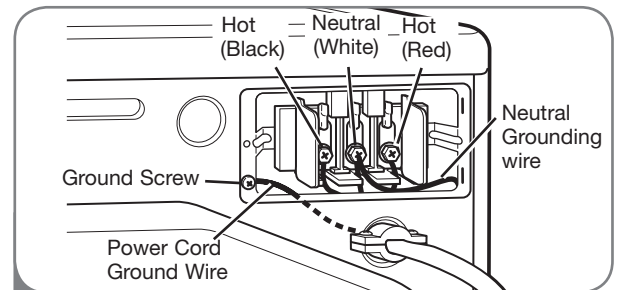


Four-Wire Connection for Electric Dryers: Power Cord

- A 4-wire connection is required for all mobile and manufactured home installations, as well as all new construction after January 1, 1996.
- A UL-listed strain relief is required.
- Use a **30 A, 240 V, UL-listed power cord with #10 AWG-minimum copper** conductor and closed loop or forked terminals with upturned ends.



- 1 Remove the terminal block access cover on the upper back of the dryer. Install a UL-listed strain relief into the power cord through-hole; then thread a UL-listed, **30 A, 240 V, 4-wire, #10 AWG-minimum copper** conductor power cord through the strain relief.



- 2 Transfer the dryer's ground wire from behind the green ground screw to the center screw of the terminal block. Attach the two hot leads of the power cord to the outer terminal block screws. Attach the white neutral wire to the center terminal block screw. Attach the power cord ground wire to the green ground screw. **TIGHTEN ALL SCREWS SECURELY.** Reinstall the terminal block access cover.

INSTALLATION INSTRUCTIONS

CONNECTING ELECTRIC DRYERS (cont.)

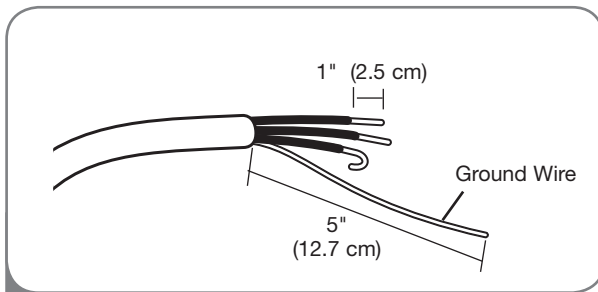
USA ONLY

⚠ WARNING:

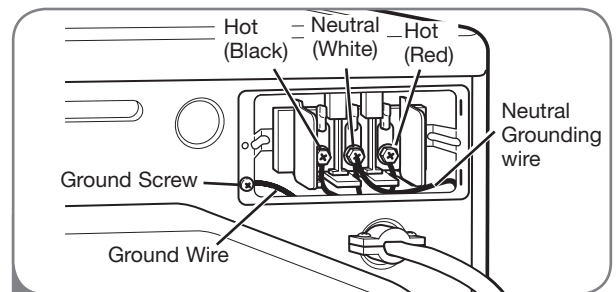
- Connect the power cord to the terminal block. Each colored wire should be connected to same color screw. Wire color indicated on manual is connected to the same color screw in block. Failure to follow these instructions may result in a short or overload.
- Grounding through the neutral conductor is prohibited for: (1) new branch-circuit installations, (2) mobile homes, (3) recreational vehicles, and (4) areas where local codes prohibit grounding through the neutral conductor.

Four-Wire Connection for Electric Dryers: Direct Wire

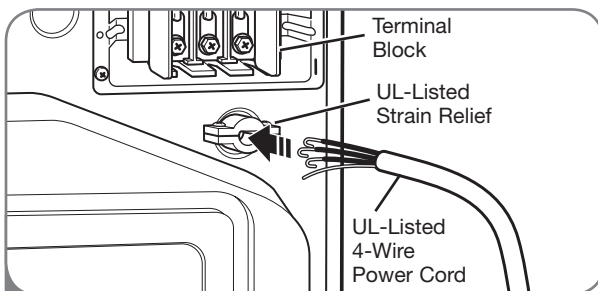
- A 4-wire connection is required for all mobile and manufactured home installations, as well as all new construction after January 1, 1996.
- A UL-listed strain relief is required.
- Use UL-listed **4-wire #10 AWG-minimum copper** conductor cable.
- Allow at least 5 ft. (1.5 m) length to allow for removal and reinstallation of the dryer.



- 1** Remove 5 inches (12.7 cm) of the outer covering from the wire. Remove 5 inches of insulation from the ground wire. Cut off approximately 1½ inches (3.8 cm) from the other three wires and strip 1 inch (2.5 cm) insulation from each wire. Bend the ends of the three shorter wires into a hook shape.



- 3** Transfer the dryer's ground wire from behind the green ground screw to the center screw of the terminal block. Attach the two hot leads of the power cable to the outer terminal block screws. Attach the white neutral wire to the center terminal block screw. Attach the power cable ground wire to the green ground screw. **TIGHTEN ALL SCREWS SECURELY.** Reinstall the terminal block access cover.



- 2** Remove the terminal block access cover on the upper back of the dryer. Install a UL-listed strain relief into the power cord through-hole; then thread the power cable prepared in Step 1 through the strain relief.

INSTALLATION INSTRUCTIONS

CONNECTING ELECTRIC DRYERS (cont.) USA ONLY

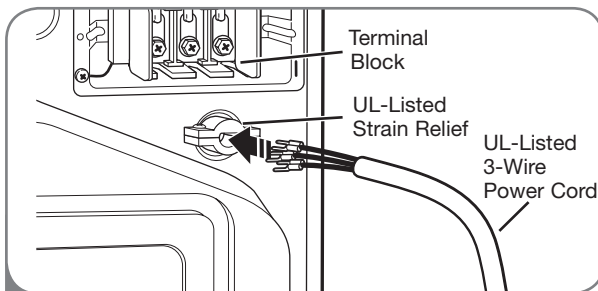
⚠ WARNING:

- Connect the power cord to the terminal block. Each colored wire should be connected to same color screw. Wire color indicated on manual is connected to the same color screw in block. Failure to follow these instructions may result in a short or overload.
- Grounding through the neutral conductor is prohibited for: (1) new branch-circuit installations, (2) mobile homes, (3) recreational vehicles, and (4) areas where local codes prohibit grounding through the neutral conductor.

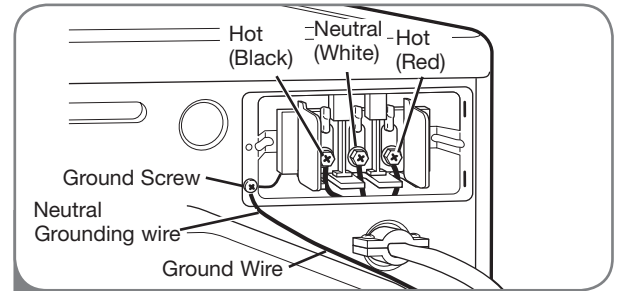


Three-Wire Connection for Electric Dryers: Power Cord

- A 3-wire connection is NOT permitted on new construction after January 1, 1996.
- A UL-listed strain relief is required.
- Use a **30 A, 240 V, UL-listed power cord with #10 AWG-minimum copper** conductor and closed loop or forked terminals with upturned ends.



- 1 Remove the terminal block access cover on the upper back of the dryer. Install a UL-listed strain relief into the power cord through-hole; then thread a UL-listed, **30 A, 240 V, 3-wire, #10 AWG-minimum copper** conductor power cord through the strain relief.



- 2 Attach the two hot leads of the power cord to the outer terminal block screws. Attach the neutral wire to the center terminal block screw. Connect the external ground (if required by local codes) to the green ground screw. **TIGHTEN ALL SCREWS SECURELY.** Reinstall the terminal block access cover.

INSTALLATION INSTRUCTIONS

CONNECTING ELECTRIC DRYERS (cont.)

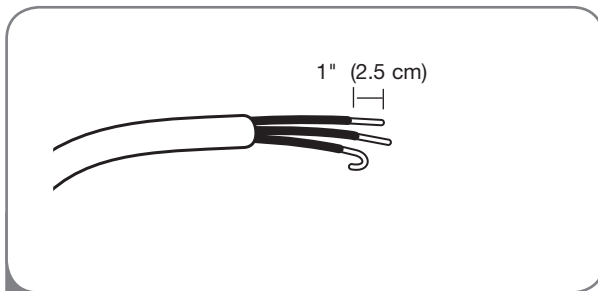
USA ONLY

WARNING:

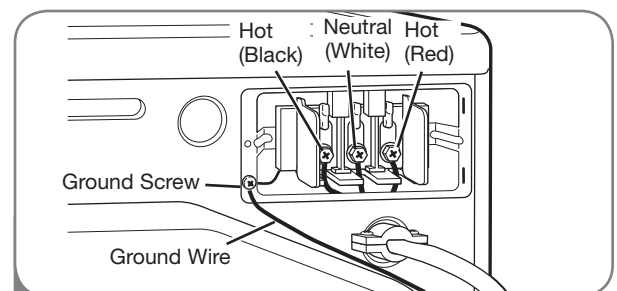
- Connect the power cord to the terminal block. Each colored wire should be connected to same color screw. Wire color indicated on manual is connected to the same color screw in block. Failure to follow these instructions may result in a short or overload.
- Grounding through the neutral conductor is prohibited for: (1) new branch-circuit installations, (2) mobile homes, (3) recreational vehicles, and (4) areas where local codes prohibit grounding through the neutral conductor.

Three-Wire Connection for Electric Dryers: Direct Wire

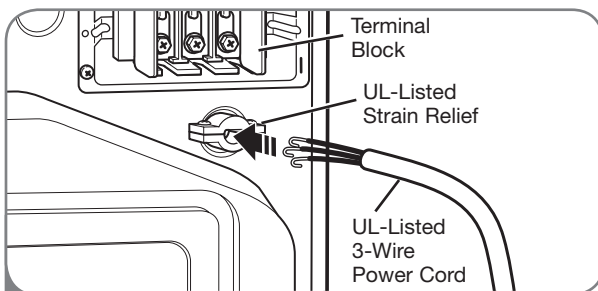
- A 3-wire connection is NOT permitted on new construction after January 1, 1996.
- A UL-listed strain relief is required.
- Use UL-listed **3-wire #10 AWG-minimum copper** conductor cable.
- Allow at least 5 ft. (1.5 m) length to allow for removal and reinstallation of the dryer.



- 1 Remove 3½ inches (8.9 cm) of the outer covering from the wire. Strip 1 inch (2.5 cm) insulation from each wire. Bend the ends of the three wires into a hook shape.



- 3 Attach the two hot leads of the power cord to the outer terminal block screws. Attach the neutral wire to the center terminal block screw. Connect the external ground (if required by local codes) to the green ground screw. **TIGHTEN ALL SCREWS SECURELY.** Reinstall the terminal block access cover.



- 2 Remove the terminal block access cover on the upper back of the dryer. Install a UL-listed strain relief into the power cord through-hole; then thread the power cable prepared in Step 1 through the strain relief.

INSTALLATION INSTRUCTIONS

SPECIAL REQUIREMENTS FOR MANUFACTURED OR MOBILE HOMES

Any installation in a manufactured or mobile home must comply with the Manufactured Home Construction and Safety Standards Title 24 CFR, Part 32-80 or Standard CAN/CSA0Z240 MH and local codes and ordinances. If you are uncertain whether your proposed installation will comply with these standards, please contact a service and installation professional for assistance.

- A gas dryer must be permanently attached to the floor.
- The electrical connection for an electric dryer must be a 4-wire connection. More detailed information concerning the electrical connection is provided in the section *Connecting Electric Dryers*.
- To reduce the risk of combustion and fire, the dryer must be vented to the outside.
- DO NOT vent the dryer under a manufactured home or mobile home.
- Electric dryers may be vented to the outside using the back, left, right, or bottom panel.
- Gas dryers may be vented to the outside using the back, left, or bottom panel. Gas dryers may not be vented to the outside using the right side panel because of the burner housing.

- The dryer exhaust duct must be affixed securely to the manufactured or mobile home structure, and the exhaust duct must be made of a material that will resist fire and combustion. It is recommended that you use a rigid or flexible metal duct.
- DO NOT connect the dryer exhaust duct to any other duct, vent, chimney, or other exhaust duct.
- Make sure the dryer has adequate access to outside fresh air to ensure proper operation. The opening for outside fresh air must be at least 25 in² (163 cm²).
- It is important that the clearance of the duct from any combustible construction be at least 2 inches (5 cm), and when venting the dryer to the outdoors, the dryer can be installed with a clearance of 1 inch (2.5 cm) at the sides and back of the dryer.
- Please be aware that venting materials are not supplied with the dryer. You should obtain the venting materials necessary for proper installation.

FINAL INSTALLATION CHECK

Once you have completed the installation of the dryer and it is in its final location, confirm proper operation with the following tests and **Duct Condition Testing** on the following page.

Testing Dryer Heating

GAS MODELS

Close the dryer door, press the ON/OFF switch to turn the dryer on, and start the dryer on a heat setting. When the dryer starts, the igniter should ignite the main burner.

NOTE: If all air is not purged from the gas line, the gas igniter may turn off before the main burner ignites. If this happens, the igniter will reattempt gas ignition after approximately two minutes.

ELECTRIC MODELS

Close the dryer door, press the ON/OFF switch to turn the dryer on, and start the dryer on a heat setting. The exhaust air should be warm after the dryer has been operating for 3 minutes.

Checking Airflow

Effective dryer operation requires proper airflow. The adequacy of the airflow can be measured by evaluating the static pressure. Static pressure in the exhaust duct can be measured with a manometer, placed on the exhaust duct approximately 2 ft. (60.9 cm) from the dryer. Static pressure in the exhaust duct should not exceed 0.6 inches (1.5 cm) of water column. The dryer should be checked while the dryer is running with no load.

Checking Levelness

Once the dryer is in its final location, recheck the dryer to be sure it is level. Make sure it is level front to back and side to side, and that all 4 leveling feet are firmly on the floor.

INSTALLATION INSTRUCTIONS

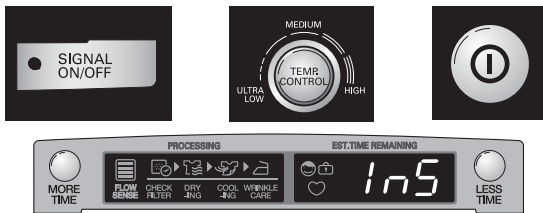
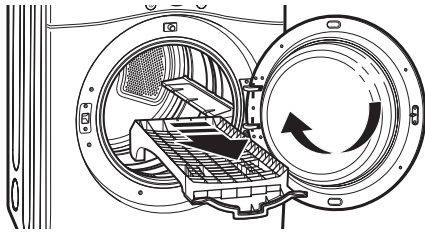
INSTALLATION TEST (Exhaust check)

Once you have completed the installation of the dryer, use this test to make sure the condition of the exhaust system is adequate for proper operation of the dryer. This test should be performed to alert you to any serious problems in the exhaust system of your home.

- Your dryer features FlowSense, an innovative sensing system that automatically detects blockages and restrictions in dryer ductwork. Keeping ductwork clean of lint buildup and free of restrictions allows clothes to dry faster and reduces energy use.

NOTE : The dryer should be cool before starting this test. If the dryer was warmed up during installation, run the Air Dry cycle for a few minutes to reduce the interior temperature.

To activate the Installation test :



NO BARS:
OK



FOUR BARS:
RESTRICTED

Four bars indicates that the exhaust system is severely restricted. Have the system checked immediately, as performance will be poor.



- 1 Remove the drying rack and literature, and then close the door.**

Do not load anything in the drum for this test, as it may affect the accuracy of the results.

- 2 Press and hold the SIGNAL and TEMP CONTROL buttons and then press the POWER button.**

This button sequence activates the installation test. The code **1n5** will display if the activation is successful.

- 3 Press START/PAUSE button.**

The dryer will start the test, which will last about two minutes. The heat will be turned on and the temperatures in the drum will be measured.

- 4 Check the display for results.**

During the two minute test cycle, monitor the FlowSense display on the control panel. If no bars are displayed, when the cycle ends, the exhaust system is adequate. If the exhaust system is severely restricted, the display will show four bars. Other problems may also be shown with error codes. Refer to the next page for error code details and solutions.

- 5 END of Cycle.**

At the end of the test cycle, **End** will display. The test cycle will end and the dryer will shut off automatically after a short delay.

INSTALLATION INSTRUCTIONS

INSTALLATION TEST (Exhaust check)

- Check the Error Code before you call for service

Error Code	Possible Causes	Solutions
tE1 or tE2	<ul style="list-style-type: none"> • Temperature sensor failure 	<ul style="list-style-type: none"> • Turn off the dryer and call for service.
HS	<ul style="list-style-type: none"> • Humidity Sensor failure. 	<ul style="list-style-type: none"> • Turn off the dryer and call for service.
PS or PF or nP	<ul style="list-style-type: none"> • Electric dryer power cord is not connected correctly, or house power supply is incorrect. • House fuse is blown, circuit breaker has tripped, or power outage has occurred. 	<ul style="list-style-type: none"> • Check the power supply or the connection of power cord to the terminal block. Refer to the Connecting Electric Dryers section of this manual for complete instructions. • Reset circuit breaker or replace fuse. Do not increase the fuse capacity. If the problem is a circuit overload, have it corrected by a qualified electrician.

• Check the duct condition

If the test displays four bars, check the exhaust system for restrictions and damage. Repair or replace the exhaust system as needed.

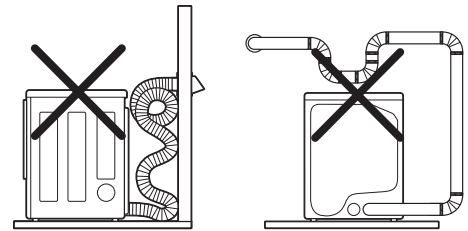
NOTE: When the dryer is first installed, this test should be performed to alert you to any existing problems with the exhaust duct in your home. However, since the test performed during normal operation provides more accurate information on the condition of the exhaust duct than does the installation test, the number of bars displayed during the two tests may not be the same.

IMPORTANT: Do not interrupt the test cycle, as this could result in the wrong results.

NOTE: Even if no bars are displayed during the test cycle, some restrictions may still be present in the exhaust system. Refer to the Venting the Dryer section of this manual for complete exhaust system and venting requirements.

Restricted or Blocked Airflow

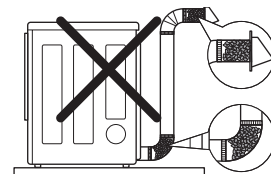
Avoid long runs or runs with multiple elbows or bends.



Excess or crushed transition duct

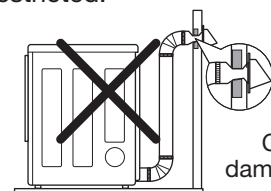
Too many elbows or exhaust too long

Check for blockages and lint buildup.



Lint buildup or blockage

Make sure the ductwork is not crushed or restricted.



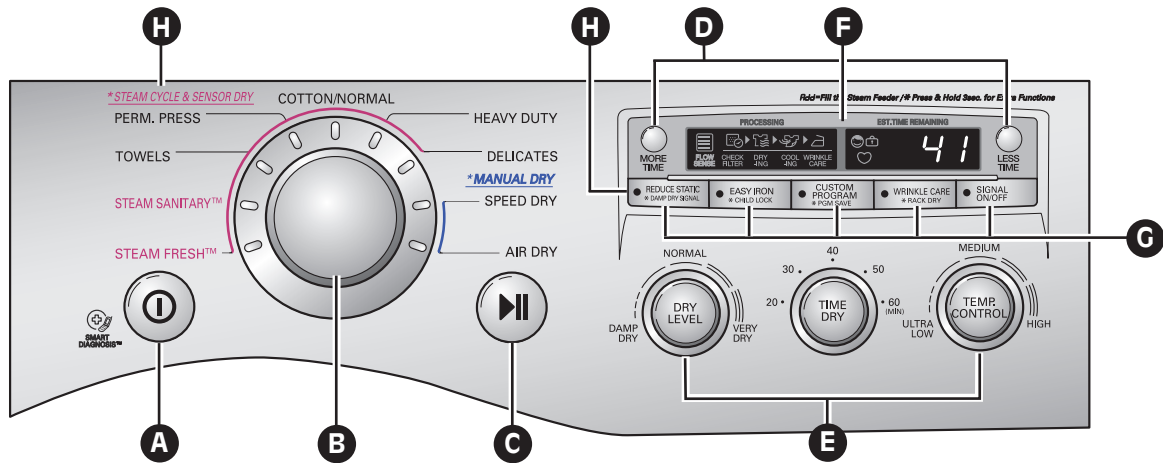
Crushed or damaged exhaust

HOW TO USE

CONTROL PANEL FEATURES

Following are instructions for starting and using your new dryer. Please refer to specific sections of this manual for more detailed information.

▲ WARNING: To reduce the risk of fire, electric shock, or injury to persons, read this entire manual, including the *Important Safety Instructions*, before operating this dryer.



A POWER ON/OFF BUTTON

Press to turn the dryer ON. Press again to turn the dryer OFF.

NOTE: Pressing the ON/OFF button during a cycle will cancel that cycle and any load settings will be lost.

B CYCLE SELECTOR KNOB

Turn this knob to select the desired cycle. Once the desired cycle has been selected, the standard presets will be shown in the display. On MANUAL DRY cycles, these settings can be adjusted using the cycle setting buttons anytime before starting the cycle.

C START/PAUSE BUTTON

Press this button to START the selected cycle. If the dryer is running, use this button to PAUSE the cycle without losing the current settings.

NOTE: If you do not press the START/PAUSE button to resume a cycle within 4 minutes, the dryer turns off automatically.

D MORE TIME/LESS TIME BUTTONS

To adjust the drying time, use these buttons with MANUAL DRY, TIME DRY, and STEAM FRESH™ cycles, as well as the REDUCE STATIC and EASY IRON options. Press the MORE TIME button to increase the selected manual cycle time by a minute; press LESS TIME to decrease the cycle time by a minute.

E CYCLE SETTING BUTTONS

Use these buttons to select the desired cycle settings for the selected cycle. The current settings are shown in the display. Press the button for that option to view and select other settings.

F TIME AND STATUS DISPLAY

The display shows the settings, estimated time remaining, options, and status messages for your dryer.

G OPTION BUTTONS

The OPTION buttons allow you to select additional cycle options. Certain buttons also allow you to activate special functions by pressing and holding the button for 3 seconds.

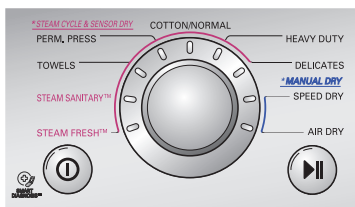
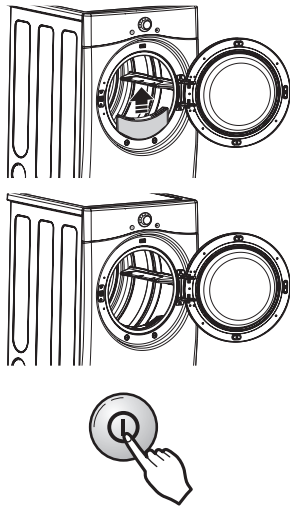
For detailed information about the individual options, please see the following pages.

H STEAM FUNCTIONS

LG's steam technology allows you to inject fabrics with a swirling jet of hot steam to refresh clothes, reduce static, and make ironing easier. Simply select the STEAMFRESH™ cycle, or you can add a STEAM option to selected cycles.

For detailed information about the individual options, please see the following pages.

OPERATING THE DRYER



1 CLEAN THE LINT FILTER

If the lint filter has not already been cleaned, lift out the filter and remove the lint from the last load. This will help ensure the fastest and most efficient drying performance.

2 LOAD THE DRYER

Load the dryer with the wet laundry from the washer. If the load is extra large, you may need to divide it into smaller loads for proper performance and fabric care.

3 TURN ON THE DRYER

Press the POWER button to turn on the dryer. The cycle LEDs will illuminate and a beep will sound, if turned on. Refer to page 27.

4 SELECT A CYCLE

Turn the cycle selector knob either direction until the LED for the desired cycle is on. The preset temperature, dry level, and option settings for that cycle will be shown. Refer to page 29.

5 SELECT CYCLE MODIFIERS

Default settings for the selected cycle can now be changed if desired. This can be done using the cycle modifier buttons as shown on page 32.

NOTE: Not all options or modifiers are available on all cycles. A different chime will sound and the LED will not come on if the selection is not allowed.

6 SELECT CYCLE OPTIONS

Cycle options can be added using the option buttons as shown on page 32-33.

NOTE: Not all options or modifiers are available on all cycles. A different chime will sound and the LED.

7 BEGIN CYCLE

Press the START/PAUSE button to begin the cycle. The cycle can be paused at any time either by opening the door or by pressing the START/PAUSE button. If the cycle is not restarted within 4 minutes, the dryer will shut off and the cycle settings will be lost.

8 END OF CYCLE

When the cycle is finished, the chime will sound if it is set. Remove your clothing from the dryer immediately to reduce wrinkling. If wrinkle care is selected, the dryer will tumble briefly every few minutes to help prevent wrinkles from setting in the clothes.

HOW TO USE

CYCLE GUIDE

The cycle guide below shows the options and recommended fabric types for each cycle.

Type	Cycle	Fabric Type	Dry Level	Temperature	Time in Min.	More Time/ Less Time	Wrinkle Care	Damp Dry Signal	Reduce Static	Easy Iron
STEAM CYCLE / SENSOR DRY	STEAM FRESH™	Comforter, Shirts, Trouser (except especially delicate fabrics)	Off	MID HIGH Adjustable	20	●	●		●	●
	STEAM SANITARY™	Comforter, Bedding, Children' clothing	Off	HIGH	39		●			
	TOWELS	Denims, towels, heavy cottons	Normal Adjustable	MID HIGH	55		●	●	●	●
	PERM. PRESS	Permanent press, synthetic items	Normal Adjustable	LOW	32		●	●	●	●
	COTTON/ NORMAL	Work clothes, corduroys, etc.	Normal Adjustable	MEDIUM	41		●	●	●	●
	HEAVY DUTY	Jeans, heavyweight items	Normal Adjustable	HIGH	54		●	●	●	●
	DELICATES	Lingerie, sheets, blouses	Normal Adjustable	LOW	28		●	●	●	●
MANUAL DRY	SPEED DRY	For small loads with short drying times	Off	HIGH Adjustable	25 Adjustable	●	●		●	●
	AIR DRY	For items that require heat-free drying such as plastics or foam filled items	Off	NO HEAT	30 Adjustable	●	●			

Sensor Dry Cycles

Sensor Dry cycles utilize LG's unique dual sensor system to detect and compare the moisture level in clothes and in the air and adjust the drying time as needed to ensure superior results. The dryer automatically sets the dryness level and temperature at the recommended setting for each cycle. The estimated time remaining will be shown in the display.

NOTE: To protect your garments not every dryness level, temperature, or option is available with every cycle. See the Cycle Guide for details.

Manual Dry Cycles

Use Manual Dry cycles to select a specific amount of drying time and a drying temperature. When a Manual Dry cycle is selected, the ESTIMATED TIME REMAINING display shows the actual time remaining in your cycle. You can change the actual time in the cycle by pressing MORE TIME or LESS TIME.

HOW TO USE

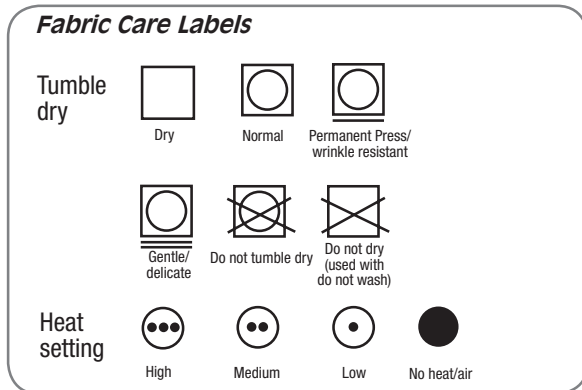
Following are instructions for starting and using your new dryer. Please refer to specific sections of this manual for more detailed information.

▲ WARNING: To reduce the risk of fire, electric shock, or injury to persons, read this entire manual, including the *Important Safety Instructions*, before operating this dryer.

SORTING LOADS

Fabric Care Labels

Most articles of clothing feature fabric care labels that include instructions for proper care.



Grouping Similar Items

For best results, sort clothes into loads that can be dried with the same drying cycle. Different fabrics have different care requirements, and some fabrics will dry more quickly than others.

LOADING THE DRYER

▲ WARNING: To reduce the risk of fire, electric shock, or injury to persons when using this appliance, follow basic precautions, including the following:

- **Check all pockets to make sure that they are empty.** Items such as clips, pens, coins, and keys can damage both your dryer and your clothes. Flammable objects such as lighters or matches could ignite, causing a fire. Failure to do so can result in fire, explosion, or death.
- **Never dry clothes that have been exposed to oil, gasoline, or other flammable substances.** Washing clothes will not completely remove oil residues. Failure to obey this warning can result in fire, explosion, or death.

Loading Tips

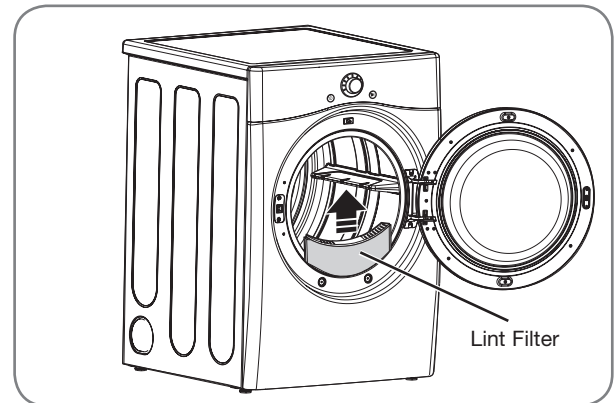
- Combine large and small items in a load.
- Damp clothes will expand as they dry. Do not overload the dryer; clothes require room to tumble dry properly.
- Close zippers, hooks, and drawstrings to prevent these items from snagging or tangling on other clothes.

CHECK THE LINT FILTER BEFORE EVERY LOAD

Always make sure the lint filter is clean before starting a new load; a clogged lint filter will increase drying times.

To clean, pull the lint filter straight up and roll any lint off the filter with your fingers. Do not rinse or wash the filter to remove lint. Push the lint filter firmly back into place. See **Regular Cleaning** for more information.

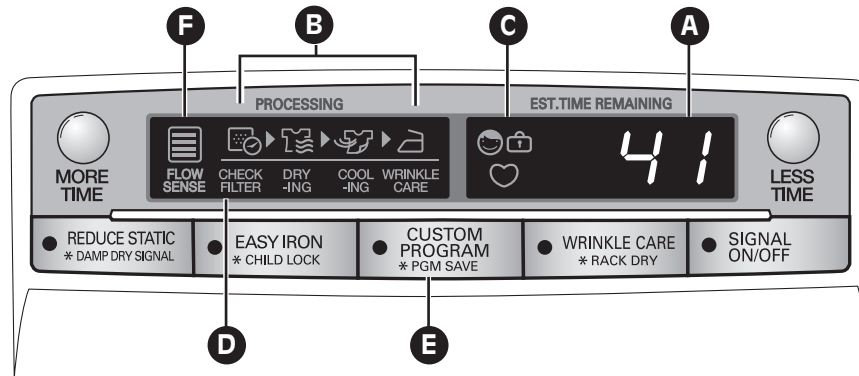
Always ensure the lint filter is properly installed before running the dryer. Running the dryer with a loose or missing lint filter will damage the dryer and articles in the dryer.



HOW TO USE

THE DISPLAY

The display shows the settings, estimated time remaining, options, and status messages for your dryer. When the dryer is turned on, the light in the display will illuminate.



A ESTIMATED TIME REMAINING

When the START/PAUSE button is pressed, the dryer will display the estimated (SENSOR DRY) or set time (TIME DRY) remaining, and begin tumbling.

NOTE: The cycle time on SENSOR DRY cycles may fluctuate as the dryer recalculates drying time for optimal results.

B CYCLE COMPLETION INDICATOR WITH CHECK FILTER REMINDER

This portion of the display shows which stage of the drying cycle is currently underway (CHECK FILTER, DRYING, COOLING, or WRINKLE CARE).

C CHILD LOCK INDICATOR

When CHILD LOCK is set, the Child Lock indicator will appear and all buttons are disabled except the ON/OFF button. This prevents children from changing settings while the dryer is operating.

D CHECK FILTER REMINDER

The display will show CHECK FILTER when the dryer is turned on as a reminder to check the filter. It turns off when the START/PAUSE button is pressed.

E CUSTOM PROGRAM

If you have a special combination of settings that you use frequently, you can save these settings as a CUSTOM PROGRAM.

F FLOW SENSE™ DUCT BLOCKAGE SENSING SYSTEM INDICATOR

The FLOW SENSE™ duct blockage sensing system detects and alerts you to blockages in the ductwork that reduce exhaust flow from the dryer. This helps operating efficiency and improves minimize service calls, saving you money.

CYCLE SETTING BUTTONS

SENSOR DRY cycles have preset settings that are selected automatically. MANUAL DRY cycles have default settings, but you may customize the settings using the cycle setting buttons. Press the button for that option to view and select other settings.

NOTE: To protect your garments, not every dryness level, temperature, or option is available with every cycle. See the **Cycle Guide** (page 29) for details.

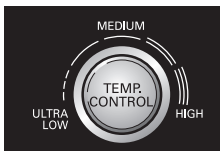
DRY LEVEL



Selects the level of dryness for the cycle. Press the DRY LEVEL button repeatedly to scroll through available settings.

- This option is available only with SENSOR DRY cycles.
- The dryer will automatically adjust the cycle time. Selecting MORE DRY or VERY DRY will increase the cycle time, while DAMP DRY or LESS DRY will decrease the cycle time.
- Use a DAMP DRY or LESS DRY setting for items that you wish to iron.

TEMP. CONTROL



Adjusts the temperature setting from ULTRA LOW to HIGH. This allows precise care of your fabrics and garments. Press the TEMP.

CONTROL button repeatedly to scroll through available settings.

TIME DRY



Allows you to manually select the drying time, from 20 to 60 minutes, in 10-minute increments. Use this for small loads or to remove wrinkles.

Use the MORE TIME/LESS TIME buttons to add or reduce the drying time in 1-minute increments.

Your dryer features several additional cycle options to customize cycles to meet your individual needs. Certain option buttons also feature a special function (see the following page for details) that can be activated by pressing and holding that option button for 3 seconds.

To Add Cycle Options to a Cycle:

- 1 Turn on the dryer and turn the cycle selector knob to select the desired cycle.
- 2 Use the cycle settings buttons to adjust the settings for that cycle.
- 3 Press the cycle option button(s) for the option you would like to add. A confirmation message will be shown in the display.
- 4 Press the START/PAUSE button to start the cycle. The dryer will start automatically.

WRINKLE CARE



Selecting this option will tumble the load periodically for up to 3 hours after the selected cycle, or until the door is opened.

This is helpful in preventing wrinkles when you are unable to remove items from the dryer immediately.

SIGNAL ON/OFF



To turn the SIGNAL off, press the SIGNAL ON/OFF button. Press again to turn the SIGNAL back on.

HOW TO USE

SPECIAL FUNCTIONS

The option buttons also activate special Functions, including CHILD LOCK, RACK DRY, DAMP DRY SIGNAL.

Press and hold the option button marked with the special function for 3 seconds to activate.

* RACK DRY

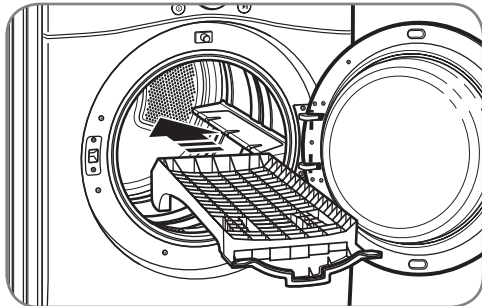


Use RACK DRY with items, such as wool sweaters, silk, and lingerie, that should dry flat. RACK DRY can also be used with items that should not be tumbled dry, such as gym shoes or stuffed animals. Press and hold the WRINKLE CARE button for 3 seconds to activate or deactivate the RACK DRY function.

NOTE: NEVER use the rack with a tumble dry cycle.

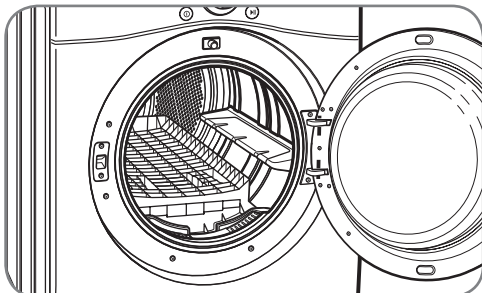
To Install the Drying Rack

- 1 With the dryer door open, slide the rack into the dryer drum.



- 2 Make sure it is seated evenly on the edge of the inner door rim and resting flat on the inside of the dryer.

NOTE: Be sure to remove the drying rack after using the RACK DRY cycle.



* CHILD LOCK



Use this option to prevent unwanted use of the dryer or to keep cycle settings from being changed while the dryer is operating. Press and hold the EASY IRON button for 3 seconds to activate or deactivate the CHILD LOCK function.

The CHILD LOCK icon will be shown in the display, and all controls are disabled except the POWER button.

NOTE: CHILD LOCK lasts after the end of cycle. If you want to deactivate this function, press and hold the EASY IRON button for 3 seconds.

* DAMP DRY SIGNAL



With this option, the dryer will signal when the load is approximately 80% dry. This allows you to remove faster-drying lightweight items or items that you would like to iron or hang while still slightly damp. Press and hold the REDUCE STATIC button for 3 seconds to activate or deactivate DAMP DRY SIGNAL.

CUSTOM PROGRAM



If you have a special combination of settings that you use frequently, you can save these settings as a CUSTOM PROGRAM.

* To Save a Custom Program:

- 1 Turn on the dryer and turn the cycle selector knob to select the desired cycle.
- 2 Use the cycle setting buttons to adjust the settings for that cycle.
- 3 Press the cycle option button(s) for the option you would like to add. A confirmation message will be shown in the display.
- 4 Press and hold the CUSTOM PROGRAM button for 3 seconds.

NOTE: You may save only one custom program at a time. Pressing and holding the CUSTOM PROGRAM button will overwrite any previously saved custom program.

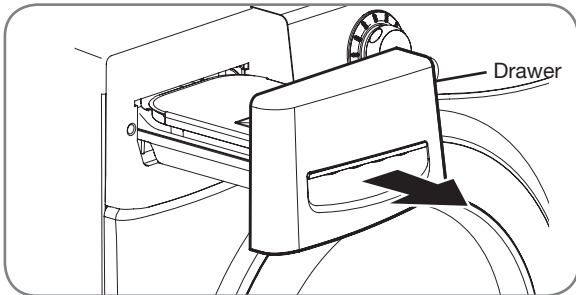
To Recall a Custom Program:

- 1 Turn on the dryer.
- 2 Press the CUSTOM PROGRAM button.
- 3 Press the START/PAUSE button to start the cycle.

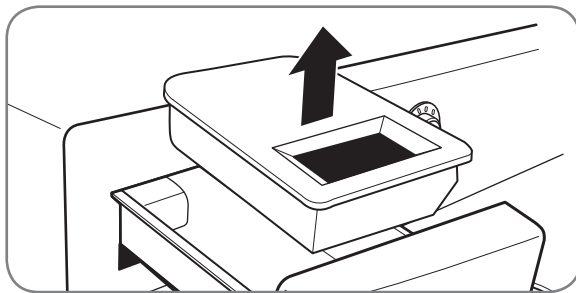
STEAM FUNCTIONS

To Fill the Steam Feeder

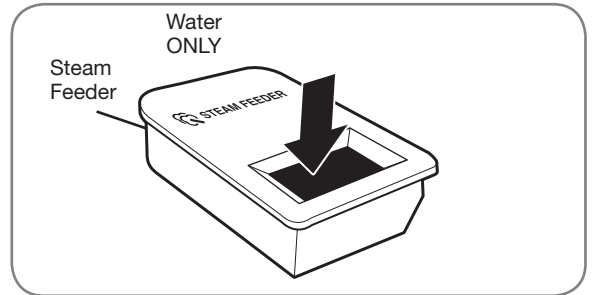
- 1 Pull out the drawer.



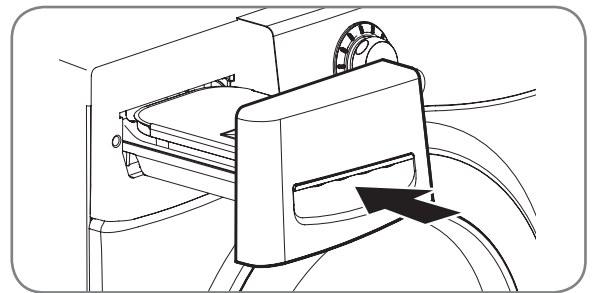
- 2 Lift out the steam feeder.



- 3 Fill the steam feeder just to the filter screen.



- 4 Place the steam feeder in the drawer; then push in the drawer until it clicks into place.



IMPORTANT NOTES ABOUT STEAM CYCLES



Before using a Steam Cycle, the steam feeder must be filled with water up to the MAX line. If not, the Add will be displayed. Make sure that the steam feeder is filled with water or the drawer is fully closed. Turn the dryer off then restart the Steam Cycle.

- Only use water. Do not fill the steam feeder with foreign substances, rinse agents, or detergents.
- Before moving the dryer, make sure the steam feeder is empty.
- Do not use distilled water; the water level sensor in the steam generator will not work.
- Be careful to put the Steam Feeder otherwise water will be overflow.
- Wipe up any spilled water around the Steam Feeder and the drawer before starting the dryer.

⚠ WARNING:

- Do not fill the steam feeder with liquids such as gasoline, dry-cleaning solvents, or other flammable or explosive substances. They give off vapors that could explode.
- Do not fill the steam feeder with hot water (over 86°F/30°C).
- Do not drink water from the steam feeder.

HOW TO USE

STEAM FUNCTIONS (cont.)

LG's new steam technology allows you to inject fabrics with a swirling jet of hot steam to refresh clothes, reduce static, and make ironing easier. Simply select the STEAMFRESH™ cycle, or you can add a Steam option to selected cycles.

Using the STEAMFRESH™ Cycle

STEAMFRESH™ uses the power of steam alone to quickly reduce wrinkles and odor in fabrics. It brings new life to wrinkled clothes that have been stored for an extended time and makes heavily wrinkled clothes easier to iron. STEAMFRESH™ can also be used to help reduce odors in fabrics.

NOTES:

- REDUCE STATIC or EASY IRON options can also be used during the STEAMFRESH™ cycle.
- Depending on the load (quantity of items), you may change the amount of time for the cycle by pressing the MORE TIME or LESS TIME button. The display will show 3, 5, or *b! 9*. 3 means 3 or fewer items, 5 is for 4 or 5 items, and *b! 9* indicates a large load such as a comforter.

To Use the STEAMFRESH™ Cycle:

- 1 Turn on the dryer and turn the cycle selector knob to select the **STEAMFRESH™** cycle.
- 2 To add an option function, select REDUCE STATIC, EASY IRON, or WRINKLE CARE.
- 3 Depending on the load (quantity of items), steam time can be changed by pressing the MORE TIME or LESS TIME buttons.
- 4 Press START/PAUSE button to start the cycle.

To Add STEAM to a Standard Cycle:

- 1 Turn on the dryer and turn the cycle selector knob to select the desired cycle.
- 2 Use the cycle setting buttons to adjust the settings for that cycle.
- 3 Press the Steam option button for the Steam option you would like to add. Then adjust for the load size using the MORE TIME or LESS TIME buttons.
- 4 Press START/PAUSE button to start the cycle.

Using the Steam Options:



This option injects steam late in the drying cycle to reduce the static electricity caused by dry fabrics rubbing together. Change the amount of time for the cycle by pressing the MORE TIME or LESS TIME button, depending on the load (quantity of items). The display will show the recommended number of items, such as 7, 9, 11, 14, 16, or 18.



The EASY IRON option provides uniform, properly dampened fabrics for ironing, which can save time and make ironing easier. Change the amount of time for the cycle by pressing the MORE TIME or LESS TIME button, depending on the load (quantity of items). The display will show the recommended number of items, such as 1, 2, 3, 4, or 5.

NOTES:

- When SENSOR DRY is selected with the REDUCE STATIC option, a DRY LEVEL of LESS or DAMP cannot be selected.
- The REDUCE STATIC or EASY IRON option may also be selected during TIME DRY cycles.
- After the Steam option is selected in TIME DRY, the MORE TIME or LESS TIME buttons will change the steam time ONLY.
- After pressing START/PAUSE, the MORE TIME or LESS TIME buttons will be disabled.

Using the STEAMSANITARY™ cycle

New STEAMSANITARY™ cycle is ideal for sanitizing non washable items quickly and easily using the power of steam alone. Recommend to use this cycle for cotton and polyester material. (Do NOT use for urethane foam, Down feathers or delicates items)

HOW TO USE

STEAM FUNCTIONS (cont.)

⚠ WARNING:

- Do not open the dryer door during steam cycles. Steam can cause severe burns.
- Do not fill the steam feeder with gasoline, dry-cleaning solvents, or other flammable or explosive substances. They give off vapors that could explode.
- Do not drink water from the steam feeder.
- Do not fill the steam feeder with hot water (over 86 °F/30 °C).
- Do not touch the steam nozzle in the drum during or after the STEAM cycle.

IMPORTANT NOTES ABOUT STEAM CYCLES:

- Steam may not be clearly visible during the steam cycles. This is normal.
- Do not use STEAMFRESH™ with items such as wool, wool blanket, leather jackets, silk, wet clothes, lingerie, foam products, or electric blankets.
- For best results, load articles of similar size and fabric type. Do not overload.
- When the filter/duct is clogged, the steam option may not have optimal results.
- When the steam function is operating, the drum will stop to allow steam to stay in the drum.
- The steam feeder must be filled with water up to the MAX line. Otherwise, an error message will be displayed.

STEAM CYCLE GUIDE

	STEAM	DEFAULT TIME	TEMP. CONTROL	DRY LEVEL	FABRIC STATE	FABRIC TYPE	MAXIMUM AMOUNT
STEAMSANITARY™		STEAMSANITARY™ (39 minutes)			Dry	Comforter Bedding	Single (1 each)
						Children's clothing	3 lbs.
STEAM FRESH™		STEAMFRESH™ (20 minutes)	●		Dry	Comforter	Single (1 each)
	+ REDUCE STATIC	STEAMFRESH™ (10 minutes)			Dry	Shirts*	5 each
	+ EASY IRON	STEAMFRESH™ (12 minutes)			Dry	Shirts*	8 lbs. (18 Items.)
STEAMOPTION	+ REDUCE STATIC	FOLLOWS SELECTED CYCLE		●	Wet	Varies by selected cycle	8 lbs. (18 Items.)
	+ EASY IRON			●	Wet	Varies by selected cycle	Shirts* (5 each)
TIME DRY	+ REDUCE STATIC	TIME DRY (45 minutes)	●		Wet	Varies by selected cycle	8 lbs. (18 Items.)
	+ EASY IRON	TIME DRY (47 minutes)	●		Wet	Varies by selected cycle	Shirts* (5 each)

*Shirt: 70% cotton/30% poly blend. Except especially delicate fabrics.

- When the lint filter or exhaust duct is clogged, steam options will not give proper results.
- For best results, load articles of similar size and fabric type. Do not overload.

TROUBLESHOOTING

REGULAR CLEANING

⚠ WARNING: To reduce the risk of fire, electric shock, or injury to persons when using this appliance, follow basic precautions, including the following:

- **Unplug the dryer before cleaning to avoid the risk of electric shock.** Failure to follow this warning can cause serious injury, fire, electric shock, or death.
- **Never use harsh chemicals, abrasive cleaners, or solvents to clean the dryer.** They will damage the finish.

Cleaning the Exterior

Proper care of your dryer can extend its life. The outside of the machine can be cleaned with warm water and a mild, nonabrasive household detergent.

Immediately wipe off any spills with a soft, damp cloth.

IMPORTANT: Do not use methylated spirits, solvents, or similar products.

Never use steel wool or abrasive cleansers; they can damage the surface.

Cleaning the Interior

Wipe around the door opening and seal with a soft, damp cloth to prevent lint and dust buildup that could damage the door seal.

Clean the window with a soft cloth dampened with warm water and a mild, nonabrasive household detergent; then wipe dry.

The stainless steel drum can be cleaned with a conventional stainless steel cleaner, used according to the manufacturer's specifications. Never use steel wool or abrasive cleansers; they can scratch or damage the surface.

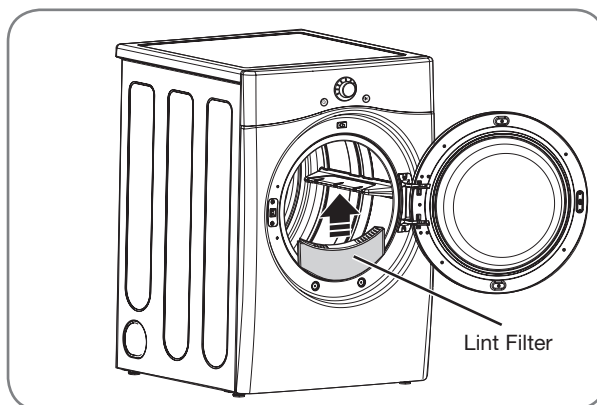
Cleaning Around and Under the Dryer

Vacuum lint and dust from around the dryer and underneath it regularly. Vent ductwork should be checked for lint buildup and cleaned at least once per year. If any noticeable reduction in airflow or drying performance occurs, immediately check ductwork for obstructions and blockages.

Maintaining Ductwork

Vent ductwork should be checked for lint buildup and cleaned at least once per year. If any noticeable reduction in airflow or drying performance occurs, immediately check ductwork for obstructions and blockages. Contact a qualified technician or service provider.

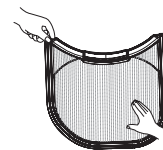
Cleaning the Lint Filter



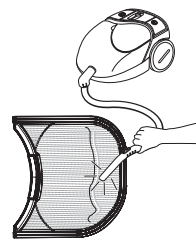
Always clean the lint filter after every cycle.

To clean, open the dryer door and pull the lint filter straight up. Then:

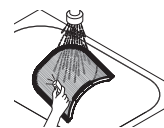
- 1 Roll any lint off the filter with your fingers, or



- 2 Vacuum the lint filter, or



- 3 If the lint filter has become very dirty or clogged with fabric softener, wash the lint filter in warm, soapy water and allow to dry thoroughly before reinstalling.



NOTE: NEVER operate the dryer without the lint filter in place.

NEVER operate the dryer with a wet lint filter.

TROUBLESHOOTING

BEFORE CALLING FOR SERVICE

Your dryer is equipped with an automatic error-monitoring system to detect and diagnose problems at an early stage. If your dryer does not function properly or does not function at all, check the following before you call for service.

Problem	Possible Causes	Solutions
Dryer will not turn on	<ul style="list-style-type: none"> Power cord is not properly plugged in. House fuse is blown, circuit breaker has tripped, or power outage has occurred. 	<ul style="list-style-type: none"> Make sure that the plug is plugged securely into a grounded outlet matching the dryer's rating plate. Reset circuit breaker or replace fuse. Do not increase fuse capacity. If the problem is a circuit overload, have it corrected by a qualified electrician.
Dryer does not heat	<ul style="list-style-type: none"> House fuse is blown, circuit breaker has tripped, or power outage has occurred. Gas supply or service turned off (gas models only). 	<ul style="list-style-type: none"> Reset circuit breaker or replace fuse. Do not increase fuse capacity. If the problem is a circuit overload, have it corrected by a qualified electrician. Confirm that the house gas shutoff and the dryer gas shutoff are both fully open.
Greasy or dirty spots on clothes	<ul style="list-style-type: none"> Fabric softener used incorrectly. Clean and dirty clothes being dried together. Clean and dirty clothes being dried together. 	<ul style="list-style-type: none"> Confirm and follow the instructions provided with your fabric softener. Make sure to use your dryer to dry only clean items, because dirty items can soil clean clothes placed in the same or subsequent loads. Stains on dried clothes are actually stains that weren't removed during the washing process. Make sure that clothes are being completely cleaned according to the instructions for your washer and detergent.
Display shows error code tE1 or tE2	<ul style="list-style-type: none"> Thermistor is malfunctioning. 	<ul style="list-style-type: none"> Turn off the dryer and call for service.
Lint on clothes	<ul style="list-style-type: none"> Lint filter not cleaned properly. Laundry not sorted properly. Excess static in clothes. Dryer is overloaded. Tissue, paper, etc., left in pockets. 	<ul style="list-style-type: none"> Make sure the lint filter is cleaned before every load. With some loads that produce high amounts of lint, it may be necessary to clean the filter during the cycle. Some fabrics are lint producers (i.e., a fuzzy white cotton towel) and should be dried separately from clothes that are lint trappers (i.e., a pair of black linen pants). See the <i>Excess static in clothes after drying</i> section below. Divide larger loads into smaller loads for drying. Check pockets thoroughly before washing and drying clothes.
Excess static in clothes after drying	<ul style="list-style-type: none"> Fabric softener not used or used incorrectly. Clothes dried too long (overdried). Drying synthetics, permanent press, or synthetic blends. 	<ul style="list-style-type: none"> Use a fabric softener to reduce static electricity correctly. Do not use fabric softeners or products to eliminate static unless recommended by the manufacturer of the fabric softener or product. Overdrying a load of laundry can cause a buildup of static electricity. Adjust settings and use a shorter drying time, or use SENSOR DRY cycles. These materials can cause static buildup. Try using a fabric softener.
Display shows error code PS	<ul style="list-style-type: none"> Power cord connection is incorrect. 	<ul style="list-style-type: none"> Check the connection of power cord to the terminal block. Refer to 21-24 pages on this manual.

TROUBLESHOOTING

BEFORE CALLING FOR SERVICE (cont.)

Problem	Possible Causes	Solutions
Drying time is not consistent	<ul style="list-style-type: none"> Heat settings, load size, or dampness of clothing is not consistent. 	<ul style="list-style-type: none"> The drying time for a load will vary depending on the heat setting, the type of heat used (electric, natural gas, or LP gas), the size of the load, the type of fabrics, the wetness of the clothes, and the condition of the exhaust ducts and lint filter.
Clothes take too long to dry	<ul style="list-style-type: none"> Load is not properly sorted. Large load of heavy fabrics. Dryer controls are not set properly. Lint filter needs to be cleaned. Exhaust ducts blocked, dirty, or duct run is too long. House fuse is blown, circuit breaker has tripped, or power outage has occurred. Dryer is overloaded. Dryer is underloaded. 	<ul style="list-style-type: none"> Separate heavy items from lightweight items. Larger and heavier items take longer to dry. Heavy fabrics take longer to dry because they tend to retain more moisture. To help reduce and maintain more consistent drying times for large and heavy fabrics, separate these items into smaller loads of a consistent size. Use the appropriate control settings for the type of load you are drying. Make sure the lint filter is cleaned before every load. With some loads that produce high amounts of lint, it may be necessary to clean the filter during the cycle. Confirm that the exhaust ductwork is properly configured and free of debris, lint, and obstructions. Make sure that outside wall dampers can open properly and are not blocked, jammed, or damaged. Reset circuit breaker or replace fuse. Do not increase fuse capacity. If the problem is a circuit overload, have it corrected by a qualified electrician. Divide larger loads into smaller loads for drying. If you are drying a very small load, add a few extra items to ensure proper tumbling action.
Clothes are wrinkled	<ul style="list-style-type: none"> Clothes dried too long (overdried). Clothes left in dryer too long after cycle ends. 	<ul style="list-style-type: none"> Overdrying a load of laundry can lead to wrinkled clothes. Try a shorter drying time, and remove items while they still retain a slight amount of moisture. Remove items from the dryer immediately at the end of the cycle. Use the WRINKLE CARE option to continue tumbling clothes at the end of the cycle, for up to 3 hours.
Clothes are shrinking	<ul style="list-style-type: none"> Garment care instructions are not being followed. 	<ul style="list-style-type: none"> To avoid shrinkage, please carefully follow the fabric care instructions for your garment, because some fabrics will naturally shrink when washed. Other fabrics can be washed but will shrink when dried in a dryer. Use a low or no heat setting.
<i>Add</i> indicator light is on during the drying cycle	<ul style="list-style-type: none"> Water supply error. 	<ul style="list-style-type: none"> Check steam feeder drawer: <ol style="list-style-type: none"> (1) Make sure steam feeder is filled with water to MAX line. (2) Make sure steam feeder is seated properly and drawer is fully closed. (3) Turn the dryer off then restart the Steam cycle. Do not use distilled water; the water level sensor in steam generator will not work. Pump not working. Unplug dryer and call for service.
Water drips from nozzle when Steam Cycle starts	<ul style="list-style-type: none"> This is normal. 	<ul style="list-style-type: none"> This is steam condensation. The dripping water will stop after a short time.

TROUBLESHOOTING

BEFORE CALLING FOR SERVICE (cont.)

Problem	Possible Causes	Solutions
Steam doesn't generate but no error code is shown	<ul style="list-style-type: none"> Water level error. 	<ul style="list-style-type: none"> Unplug dryer and call for service.
Garments still wrinkled after STEAM FRESH™	<ul style="list-style-type: none"> Too many or too different types of garments in dryer. 	<ul style="list-style-type: none"> Small loads of 1 to 5 items work best. Load fewer garments. Load similar-type garments.
There are no creases left on garment after STEAM FRESH™	<ul style="list-style-type: none"> The function of this cycle is to remove wrinkles from fabric. 	<ul style="list-style-type: none"> Use an iron to make creases.
Garments have static after REDUCE STATIC	<ul style="list-style-type: none"> This is normal. 	<ul style="list-style-type: none"> Depends on individual moisture level in skin.
Garments are too damp or too dry after REDUCE STATIC	<ul style="list-style-type: none"> Correct drying options not selected. 	<ul style="list-style-type: none"> Select load weight manually before starting REDUCE STATIC option.
Garments are not uniformly damp after EASY IRON	<ul style="list-style-type: none"> Number of garments or load size not properly selected at the beginning of the cycle. 	<ul style="list-style-type: none"> Select the correct number or garments or load size before starting the cycle.
Water drips from door during Steam Cycle	<ul style="list-style-type: none"> This is normal. 	<ul style="list-style-type: none"> Condensation will normally form on the inside of the dryer door during steam operation. Some condensation may drip out the bottom of the door.
Steam is not visible during Steam Cycle	<ul style="list-style-type: none"> This is normal. 	<ul style="list-style-type: none"> Steam vapor is difficult to see when the door is closed. However, condensation will normally form on the inside of the dryer door if the steam system is operating normally.
Drum does not turn during Steam Cycle	<ul style="list-style-type: none"> This is normal. 	<ul style="list-style-type: none"> The drum is turned off so that the steam vapor remains in the drum. The drum will normally turn for about 2 seconds once a minute.
Cannot see steam vapor at the beginning of cycle	<ul style="list-style-type: none"> This is normal. 	<ul style="list-style-type: none"> Steam is released at different stages of the cycle for each option.
The display shows <i>b1 9</i>	<ul style="list-style-type: none"> MORE TIME button pressed. 	<ul style="list-style-type: none"> This display indicates that the steam option has been set for a " <i>b1 9</i> " item such as a comforter. Press the LESS TIME button to reduce the indicated load size.
Odors remain in clothing after STEAM FRESH™	<ul style="list-style-type: none"> STEAM FRESH™ did not remove odor completely. 	<ul style="list-style-type: none"> Fabrics containing strong odors should be washed in a normal cycle.
CHECK FILTER light is on during the drying cycle	<ul style="list-style-type: none"> Lint filter is almost clogged or full. 	<ul style="list-style-type: none"> Pause the drying cycle and clean the lint filter.
FLOW SENSE indicator light is on during the drying cycle	<ul style="list-style-type: none"> Ductwork is too long or has too many turns/restrictions. Significant blockage of the ductwork due to lint buildup or debris. The appliance has detected a restriction in the external dryer venting. 	<ul style="list-style-type: none"> Install a shorter or straighter duct run. See the Installation Instructions. Ductwork should be checked/cleaned soon. Dryer can be used in this condition, but drying times may be longer. If exhaust restrictions are sensed by the FLOW SENSE system, the indicator will remain on for two hours after the end of the cycle. Opening the door or pressing the POWER button will turn off the display.

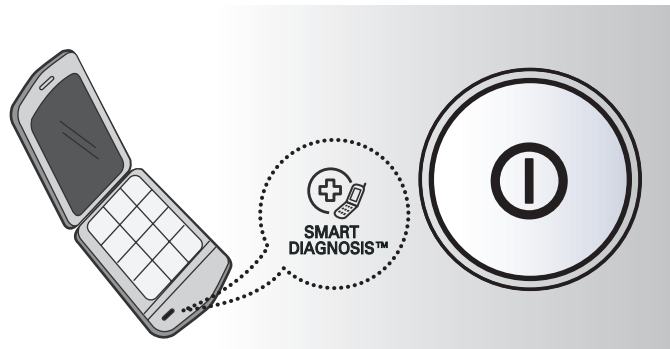
TROUBLESHOOTING

USING SMARTDIAGNOSIS™

- Only use this feature when instructed to do so by the call center. The transmission sounds similar to a fax machine, and so has no meaning except to the call center.
- SmartDiagnosis™ cannot be activated if the dryer does not power up. If this happens, then troubleshooting must be done without SmartDiagnosis™.

If you experience problems with your dryer, call 1-800-243-0000 (1-888-542-2623 in Canada). Follow the call center agent's instructions, and do the following steps when requested:

- 1** Press the POWER button to turn on the dryer.
Do not press any other buttons or turn the cycle selector knob.
- 2** When instructed to do so by the call center, place the mouthpiece of your phone very close to the POWER button.

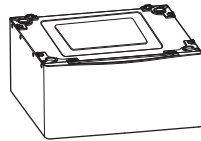


- 3** Press and hold the TEMP. CONTROL button for three seconds, while holding the phone mouthpiece to the icon or POWER button.
- 4** Keep the phone in place until the tone transmission has finished. This takes about 15 seconds, and the display will count down the time.
 - For best results, do not move the phone while the tones are being transmitted.
 - If the call center agent is not able to get an accurate recording of the data, you may be asked to try again.
 - Pressing the POWER button during the transmission will shut off the SmartDiagnosis™.
- 5** Once the countdown is over and the tones have stopped, resume your conversation with the call center agent, who will then be able to assist you using the information transmitted for analysis at the call center.

OPTIONAL ACCESSORIES

OPTIONAL ACCESSORIES

For these and other LG products contact your local LG dealer, or visit our Web site at www.lg.com.

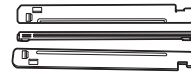


Pedestal

Give your LG washer and dryer a boost with matching 14-inch high pedestals. They feature a storage drawer for added convenience.

14" Pedestal	Color
---------------------	--------------

WDP4W	White
WDP4R	Candy Red
WDP4S	Titanium
WDP4N	Navy Blue



Stacking Kit

If space is at a premium, use this kit to securely stack your LG front-load washer and dryer.

Stacking Kit	Color
---------------------	--------------

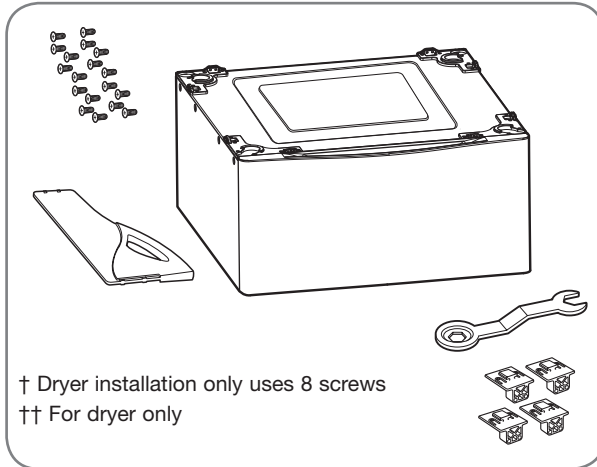
WSTK1	White
RSTK1	Candy Red
SSTK1	Titanium
NSTK1	Navy Blue

OPTIONAL ACCESSORIES

PEDESTAL INSTALLATION

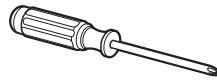
The pedestal accessory includes:

- Drawer divider (1)
- Wrench (1)
- Screws (18) †
- Retainers (4) ††



Tools Needed for Installation:

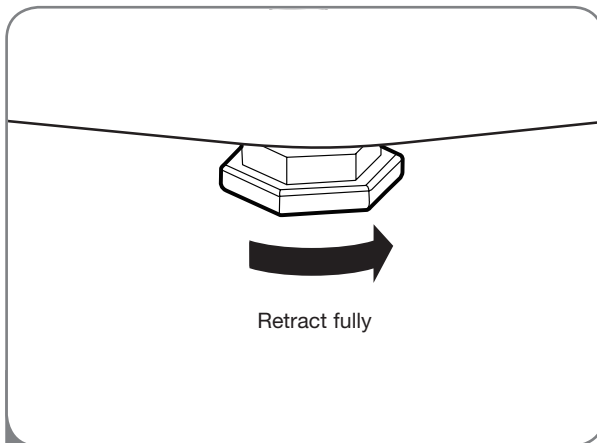
- Phillips screwdriver
- Wrench (supplied)



To ensure safe and secure installation, please thoroughly follow the instructions below.

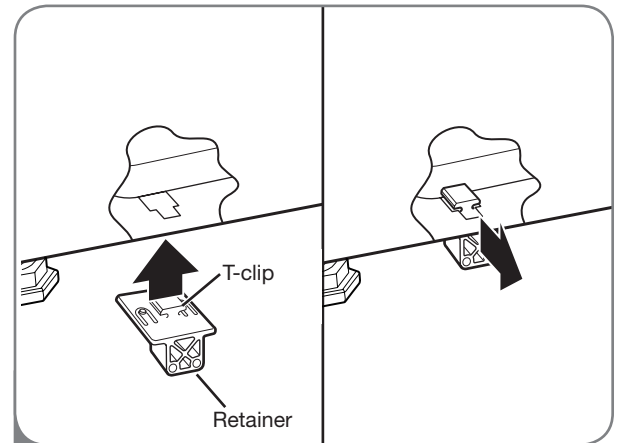
⚠ WARNING

- **Incorrect installation can cause serious accidents.**
- **The appliances are heavy. Two or more people are required when installing the pedestal.** There is a risk of serious back injury or other injuries.
- **Do not allow children to play in or on the drawer.** There is a risk of suffocation or injury.
- **Do not step on the handle.** There is a risk of serious injury.
- **If appliances are already installed, disconnect them from all power, water, or gas lines and from draining or venting connections.** Failure to do so can result in electric shock, fire, explosion, or death.
- **When installing, gloves must be put on.**



- 1 Make sure the leveling feet of the dryer are fully retracted.

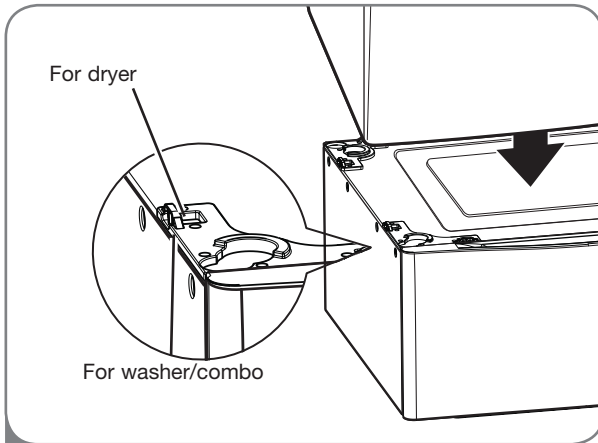
NOTE: The appliance and pedestal assembly must be placed on a solid, sturdy, level floor for proper operation.



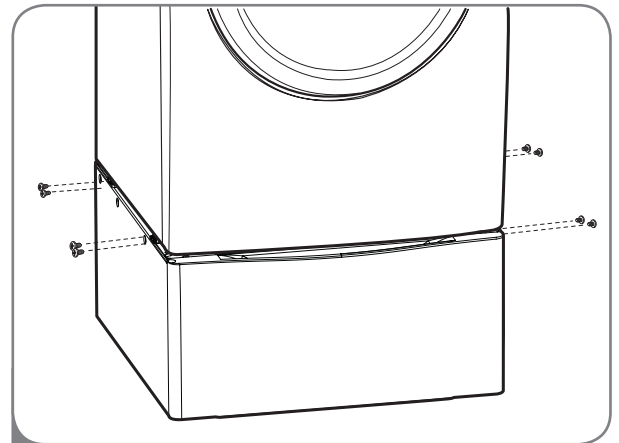
- 2 Insert the T-clip of the 4 retainers into the dryer base as shown. Press up on the back of the clip and pull outward to lock into place.

OPTIONAL ACCESSORIES

PEDESTAL INSTALLATION (cont.)



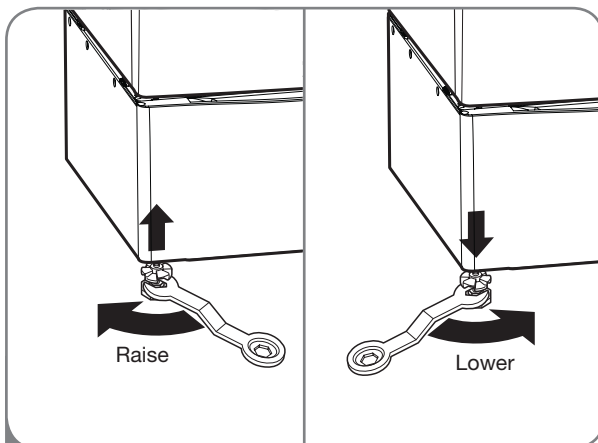
3 Place the dryer on the pedestal. Make sure the front and back feet are in the correct positions. The dryer feet will fit into the innermost positions as shown.



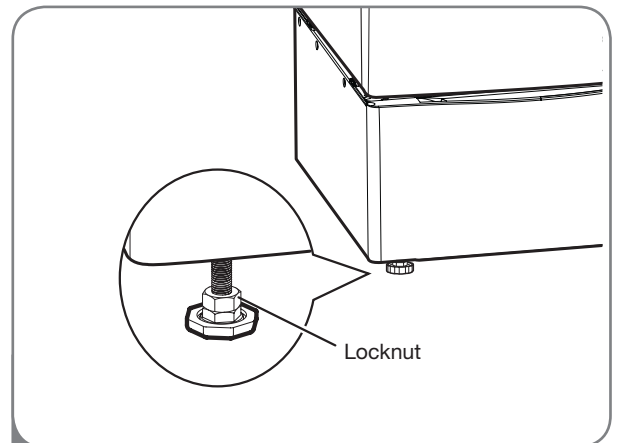
4 Make sure the screws on the pedestal align with the holes in the retainers, then install 4 screws on each side to securely attach the appliance to the pedestal.

NOTE: If the screws are not installed properly, noise and vibration may result.

Push the dryer into position.



5 Loosen the locknuts on all 4 leveling feet of the **pedestal** until you can turn them with the wrench. Turn the leveling feet clockwise to raise or counterclockwise to lower until the pedestal is level and all 4 feet are solidly against the floor.



6 Securely tighten all locknuts by wrench.

NOTE: Noise and vibration may result if locknuts are not tightened.

Be sure to connect the appliances to all water, power, or gas lines and draining or venting connections before operation.

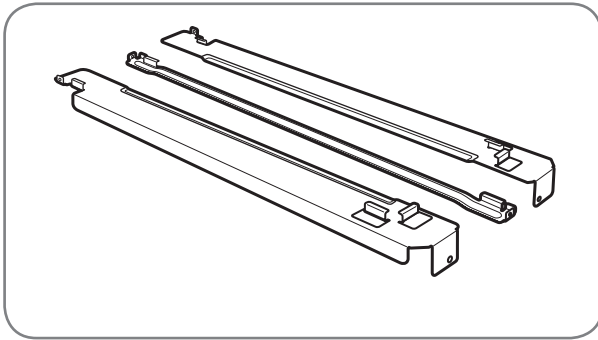
If there is excessive vibration during the first operation after installation, slightly adjust the leveling feet.

OPTIONAL ACCESSORIES

STACKING KIT INSTALLATION

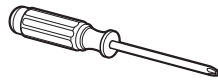
This stacking kit includes:

- Two (2) side rails
- One (1) front rail
- Four (4) screws



Tools Needed for Installation:

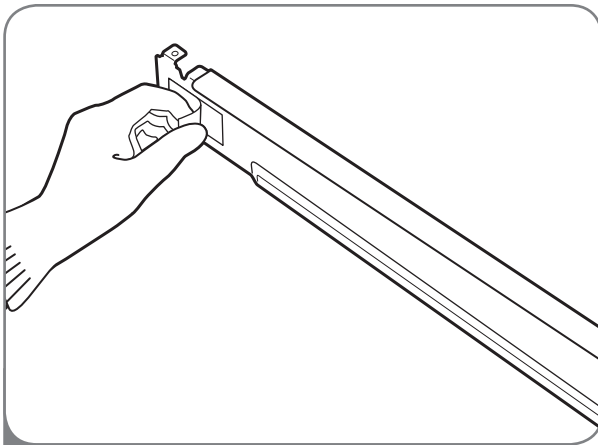
- Phillips screwdriver



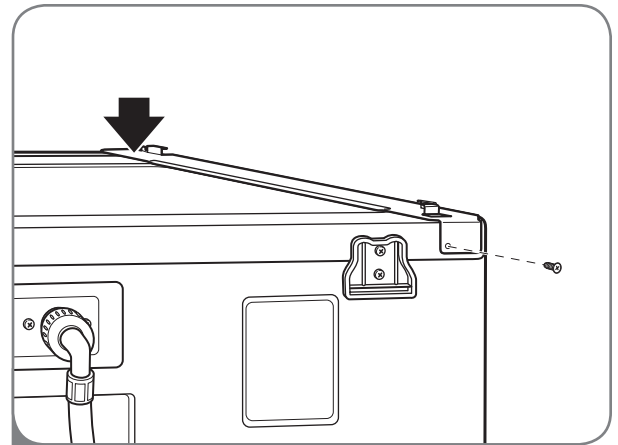
To ensure safe and secure installation, please observe the following instructions.

⚠ WARNING

- **Incorrect installation can cause serious accidents.**
- **The weight of the dryer and the height of installation make this stacking procedure too risky for one person. Two or more people are required when installing the stacking kit.** There is a risk of serious back injury or other injuries.
- **Do not use the stacking kit with a gas dryer in potentially unstable conditions such as a mobile home.** Failure to follow this warning can result in serious injury.
- **Place the washer on a solid, stable, level floor capable of supporting the weight of both appliances.** Failure to follow this warning can result in serious injury.
- **Do NOT stack the washer on top of the dryer.** Failure to follow this warning can result in serious injury.
- **If appliances are already installed, disconnect them from all power, water, or gas lines and from draining or venting connections.** Failure to do so can result in electrical shock, fire, explosion, or death.



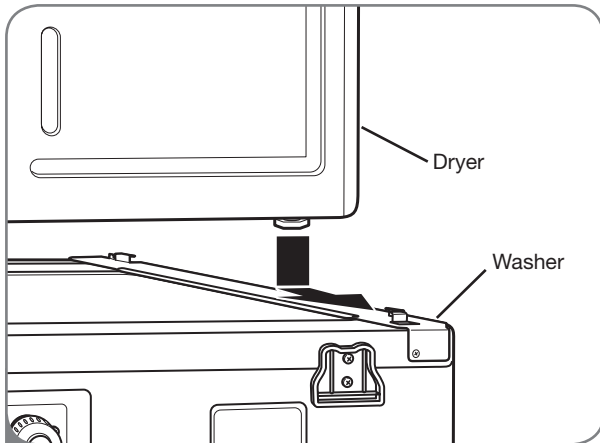
- 1 Make sure the surface of the washer is clean and dry. Remove paper backing from the tape on one of the stacking kit side brackets.



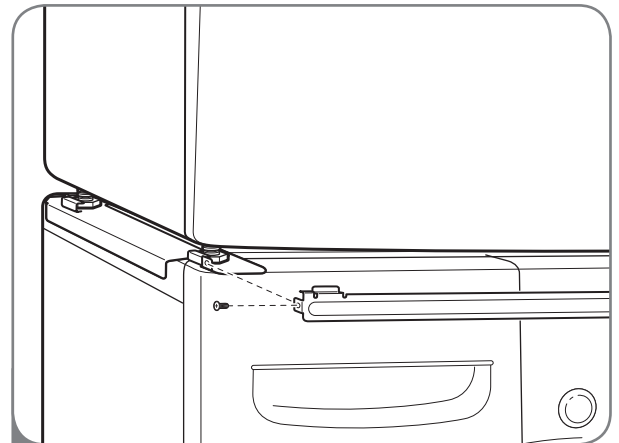
- 2 Fit the side bracket to the side of the washer top as shown in the above illustration. Firmly press the adhesive area of the bracket to the washer surface. Secure the side bracket to the washer with a screw on the back side of the bracket. Repeat steps 1 and 2 to attach the other side bracket.

OPTIONAL ACCESSORIES

STACKING KIT INSTALLATION (cont.)



3 Place the dryer on top of the washer by fitting the dryer feet into the side brackets as illustrated. Avoid finger injuries; do not allow fingers to be pinched between the washer and dryer. Slowly slide the dryer toward the back of the washer until the side bracket stoppers catch the dryer feet.



4 Insert the front rail between the bottom of the dryer and the top of the washer. Push the front rail toward the back of the washer until it comes in contact with the side rail stoppers. Install the two remaining screws to secure the front rail to the side rails.

ENGLISH

SPECIFICATIONS

KEY DIMENSIONS AND SPECIFICATIONS

The appearance and specifications listed in this guide may vary due to constant product improvements.

Steam Dryer™ Models	DLEX 2550* DLGX2551* DLEX2450* DLGX2451*
Description	Steam Dryer
Electrical Requirements*	Please refer to the rating label regarding detailed information.
Gas Requirements*	NG 4-10.5 inches WC LP: 8-13 inches WC (Gas Models only)
Dimensions	27" (W) X 30" (D) X 38 ¹¹ / ₁₆ " (H), 51" (D with door open) 68.6 cm (W) X 76.1 cm (D) X 98.3 cm (H), 129.7 cm (D with door open)
Net Weight	126 lbs(57.2kg)
Drying Capacity - Normal Cycle - Steam Cycle	IEC 7.3 cu.ft. (22.5 lb/10.2 kg) IEC 7.3 cu.ft. (8 lb/3.6 kg)

*Refer to the rating plate on your dryer.

LG ELECTRONICS CANADA, INC. LG DRYER LIMITED WARRANTY - Canada

WARRANTY: Should your LG Dryer ("Product") fail due to a defect in material or workmanship under normal home use during the warranty period set forth below, LG Canada will at its option repair or replace the Product upon receipt of proof of original retail purchase. This warranty is valid only to the original retail purchaser of the product and applies only to a Product distributed in Canada by LG Canada or an authorized Canadian distributor thereof. The warranty only applies to Products located and used within Canada.

WARRANTY PERIOD: (Note: If the original date of purchase can not be verified, the warranty will begin sixty (60) days from the date of manufacture).
Dryer
One (1) year from the date of original retail purchase
Parts and Labor (internal/functional parts only)

- Replacement products and parts are warranted for the remaining portion of the original warranty period or ninety (90) days, whichever is greater.
- Replacement products and parts may be new or remanufactured.
- LG Authorized Service Center warranties their repair work for thirty (30) days.

LG CANADA'S SOLE LIABILITY IS LIMITED TO THE WARRANTY SET OUT ABOVE. EXCEPT AS EXPRESSLY PROVIDED ABOVE, LG CANADA MAKES NO AND HEREBY DISCLAIMS ALL OTHER WARRANTIES AND CONDITIONS RESPECTING THE PRODUCT, WHETHER EXPRESS OR IMPLIED, INCLUDING, BUT NOT LIMITED TO, ANY IMPLIED WARRANTY OR CONDITION OF MERCHANTABILITY OR FITNESS FOR A PARTICULAR PURPOSE, AND NO REPRESENTATIONS SHALL BE BINDING ON LG CANADA. LG CANADA DOES NOT AUTHORIZE ANY PERSON TO CREATE OR ASSUME FOR IT ANY OTHER WARRANTY OBLIGATION OR LIABILITY IN CONNECTION WITH THE PRODUCT. TO THE EXTENT THAT ANY WARRANTY OR CONDITION IS IMPLIED BY LAW, IT IS LIMITED TO THE EXPRESS WARRANTY PERIOD ABOVE. LG CANADA, THE MANUFACTURER OR DISTRIBUTOR SHALL NOT BE LIABLE FOR ANY INCIDENTAL, CONSEQUENTIAL, SPECIAL, DIRECT OR INDIRECT DAMAGES, LOSS OF GOODWILL, LOST PROFITS, PUNITIVE OR EXEMPLARY DAMAGES OR ANY OTHER DAMAGE, WHETHER ARISING DIRECTLY OR INDIRECTLY FROM ANY CONTRACTUAL BREACH, FUNDAMENTAL OR OTHERWISE, OR FROM ANY ACTS OR OMISSIONS, TORT, OR OTHERWISE.

This warranty gives you specific legal rights. You may have other rights which may vary from province to province depending on applicable provincial laws. Any term of this warranty that negates or varies any implied condition or warranty under provincial law is severable where it conflicts with provincial law without affecting the remainder of this warranty's terms.

THIS LIMITED WARRANTY DOES NOT COVER:

1. Service trips to deliver, pick up, or install the product; instructing a customer on operation of the product; repair or replacement of fuses or correction of wiring, or correction of unauthorized repairs/installation.
2. Failure of the product to perform during power failures and interruptions or inadequate electrical service.
3. Damage caused by leaky or broken water pipes, frozen water pipes, restricted drain lines, inadequate or interrupted water supply or inadequate supply of air.
4. Damage resulting from operating the Product in a corrosive atmosphere or contrary to the instructions outlined in the Product owner's manual.
5. Damage to the Product caused by accidents, pests and vermin, lightning, wind, fire, floods, or acts of God.
6. Damage resulting from the misuse, abuse, improper installation, repair, or maintenance of the Product. Improper repair includes use of parts not approved or specified by LG Canada.
7. Damage or product failure caused by unauthorized modification or alteration, or use for other than its intended purpose, or resulting from any water leakage due to improper installation.
8. Damage or Product failure caused by incorrect electrical current, voltage, commercial or industrial use, or use of accessories, components, or cleaning products that are not approved by LG Canada.
9. Damage caused by transportation and handling, including scratches, dents, chips, and/or other damage to the finish of your product, unless such damage results from defects in materials or workmanship and is reported within one (1) week of delivery.
10. Damage or missing items to any display, open box, discounted, or refurbished Product.
11. Products with original serial numbers that have been removed, altered, or cannot be readily determined. Model and Serial numbers, along with original retail sales receipt, are required for warranty validation.
12. Increases in utility costs and additional utility expenses. Replacement of light bulbs, filters, or any consumable parts. Repairs when your Product is used in other than normal and usual household use (including, without limitation, commercial use, in offices or recreational facilities) or contrary to the instructions outlined in the Product owner's manual.
15. Costs associated with removal of the Product from your home for repairs.
16. The removal and reinstallation of the Product if it is installed in an inaccessible location or is not installed in accordance with published installation instructions, including the Product owner's and installation manuals.
17. Accessories to the Product such as door bins, drawers, handles, shelves, etc.. Also excluded are parts besides those that were originally included with the Product.

All costs associated with the above excluded circumstances shall be borne by the consumer.

For complete warranty details and customer assistance, please call or visit our website:

Call 1-888-542-2623 (24 hours a day, 365 days a year) and select the appropriate option from the menu, or visit our website at <http://www.lg.ca>

Write your warranty information below:

Product Registration Information:

Model:

Serial Number:

Date of Purchase:



MODE D'EMPLOI SÉCHEUSE

Avant d'utiliser votre sécheuse,
lisez attentivement ce mode d'emploi et
conservez-le pour vous y référer ultérieurement.

DLEX2550* DLGX2551*
DLEX2450* DLGX2451*

INTRODUCTION

IMPORTANTES INSTRUCTIONS DE SÉCURITÉ

Ce qu'il faut faire si vous détectez une odeur de gaz	3
Précautions de sécurité de base.....	4
Instructions de mise à la terre.....	5
Instructions de sécurité pour l'installation.....	5
Instructions de sécurité pour les fonctions de vapeur....	6
Instructions de sécurité pour la raccordement à l'électricité	7

PIÈCES ET CARACTÉRISTIQUES

Caractéristiques spéciales	8
Composantes et pièces principales.....	9

INSTRUCTIONS D'INSTALLATION

Conditions requises pour l'emplacement d'installation	10
Dégagements	10
Installations avec piédestal ou trousse d'empilage en option	11
Mise à niveau de la sècheuse	12
Accessoires en option	12
Pour retirer la porte	13
Pour installer la porte	14
Modification de l'emplacement de la sortie d'air.....	15
Ventilation de la sècheuse.....	16
Raccordement des sècheuses à gaz	18
Raccordement des sècheuses électriques	20
Exigences particulières pour les maisons mobiles ou préfabriquées.....	21
Vérification finale de l'installation	21
Test d'installation (Contrôle d'échappement)	22

MODE D'EMPLOI

Caractéristiques du panneau de commande.....	24
Fonctionnement de la sècheuse	25
Guide des cycles.....	26
Triage des brassées	27
Chargement de la sècheuse.....	27
Vérification du filtre à charpie avant tout la brassée.....	27
Afficheur	28
Boutons de réglage des cycles.....	29
Fonctions spéciales.....	30
Autres fonctions	30
Fonctions de vapeur.....	31
Guide des cycles vapeur	33

DÉPANNAGE

Nettoyage régulier	34
Avant d'appeler le service	35
Utilisation de SmartDiagnosis ^{MC}	39

MERCI!

Félicitations pour votre achat et bienvenue dans la famille LG. Votre nouvelle sècheuse LG associe la technologie de capteur d'humidité la plus avancée à un fonctionnement simple et à une efficacité supérieure. Si vous suivez les instructions d'utilisation et d'entretien de ce manuel, votre sècheuse vous assurera de nombreuses années de service fiable.

ACCESSOIRES EN OPTION

Accessoires en option	40
Installation du piédestal	41
Installation de la trousse d'empilage.....	43

SPÉCIFICATIONS

Spécifications et dimensions principales	44
--	----

GARANTIE



IMPORTANTES INSTRUCTIONS DE SÉCURITÉ

LISEZ TOUTES LES DIRECTIVES AVANT D'UTILISER L'APPAREIL

⚠️ AVERTISSEMENT Pour votre sécurité, vous devez suivre l'information contenue dans ce manuel afin de réduire les risques d'incendie et d'explosion, de choc électrique, ainsi que pour éviter les dommages matériels, les blessures corporelles, ou un décès.

Votre sécurité et la sécurité des autres sont très importantes.

Ce manuel contient de nombreux messages relatifs à la sécurité et à votre appareil.

Lisez toujours et suivez toujours toutes les instructions relatives à votre sécurité.



C'est le symbole d'alerte à la sécurité.

Ce symbole vous alerte des dangers potentiels qui peuvent vous tuer ou vous blesser ou tuer ou blesser d'autres personnes. Tous les messages relatifs à la sécurité suivent le symbole d'alerte à la sécurité et le mot DANGER ou AVERTISSEMENT.

Ces mots signifient :

⚠️ DANGER : Vous pouvez être tué ou grièvement blessé si vous ne suivez pas immédiatement les instructions.

⚠️ AVERTISSEMENT : Vous pouvez être tué ou grièvement blessé si vous ne suivez pas les instructions.

Tous les messages relatifs à la sécurité vous diront la nature du danger potentiel, comment réduire le risque de blessure et ce qui peut se produire si vous ne suivez pas les instructions.

- **N'installez pas une sècheuse avec des matériaux de ventilation en plastique flexibles. Si vous installez un conduit en métal flexible (de type feuille métallique), celui-ci doit être d'un type spécifique identifié par le fabricant comme convenant à une utilisation avec une sècheuse. Les matériaux de ventilation flexibles sont susceptibles de se déformer, d'être écrasés facilement et de retenir les charpies. Ces conditions peuvent obstruer la circulation de l'air de la sècheuse et accroître le risque d'incendie.**
- **Ne rangez et n'utilisez pas d'essence ou d'autres vapeurs et liquides inflammables près de cet appareil ou de tout autre appareil électroménager.**
- **L'installation et l'entretien doivent être effectués par un installateur qualifié, une agence de service, ou le fournisseur de gaz.**
- **Installez la sècheuse conformément aux instructions du fabricant et à la réglementation locale.**
- **Conservez ces instructions.**

CE QU'IL FAUT FAIRE SI VOUS DÉTECTEZ UNE ODEUR DE GAZ :

1. N'essayez pas de gratter une allumette, d'allumer une cigarette, ou de mettre sous tension un électroménager à gaz ou électrique.
2. Ne touchez à aucun interrupteur électrique. N'utilisez aucun téléphone de votre édifice.
3. Évacuez toute personne présente dans la pièce, l'édifice, ou la zone à proximité.
4. Appelez immédiatement votre fournisseur de gaz du téléphone d'un voisin. Suivez attentivement les directives du fournisseur de gaz.
5. Si vous ne pouvez pas rejoindre votre fournisseur de gaz, appelez le service d'incendie.

IMPORTANTES INSTRUCTIONS DE SÉCURITÉ

LISEZ TOUTES LES DIRECTIVES AVANT D'UTILISER L'APPAREIL

⚠AVERTISSEMENT Pour votre sécurité, vous devez suivre l'information contenue dans ce manuel afin de réduire les risques d'incendie et d'explosion, de choc électrique, ainsi que pour éviter les dommages matériels, les blessures corporelles, ou un décès.

PRÉCAUTIONS DE SÉCURITÉ DE BASE

⚠AVERTISSEMENT : Afin de réduire les risques d'incendie, de choc électrique, ou les blessures corporelles lorsque vous utilisez cet électroménager, vous devez toujours suivre les précautions de base, y compris ce qui suit :

- Lisez toutes les instructions avant d'utiliser votre sècheuse.
- Avant de l'utiliser, la sècheuse doit être installée correctement conformément aux directives données dans ce manuel.
- Ne séchez aucun article qui aurait précédemment été nettoyé, lavé, ou trempé dans de l'essence, des solvants pour nettoyage à sec, ou toute autre substance inflammable ou explosive non plus que tout article qui présenterait des taches de ces substances car les vapeurs qui s'en dégagent pourraient s'enflammer ou exploser.
- Ne placez pas d'articles exposés à des huiles de cuisson dans votre sècheuse. Des vêtements contaminés aux huiles de cuisson peuvent entraîner une réaction chimique qui pourrait faire enflammer une brassée.
- Ne mettez jamais votre main dans la sècheuse si le tambour ou les autres pièces sont en mouvement.
- Ne réparez jamais ou ne remplacez jamais une pièce de la sècheuse ou n'essayez jamais de réparer votre sècheuse, à moins que cet entretien soit spécifiquement recommandé dans ce Guide d'utilisation et d'entretien ou dans des instructions de réparations par l'utilisateur publiées que vous comprenez et que vous êtes capable d'entreprendre.
- Ne modifiez pas les commandes.
- Ne laissez pas les enfants jouer dans la sècheuse ou sur celle-ci. Vous devez les superviser de près lorsque vous utilisez la sècheuse à proximité.
- Avant d'inutiliser ou de mettre la sècheuse au rebut, retirez-en la porte.
- Utilisez les assouplisseurs ou produits pour éliminer la statique uniquement tel que recommandé par le fabricant.
- N'utilisez pas de cycle avec chaleur pour sécher des articles qui comportent du caoutchouc mousse ou tout autre matière similaire à du caoutchouc.
- Conservez l'espace entourant l'ouverture de sortie et les espaces adjacents libre de toute accumulation de charpie, de poussière, et de saleté.
- Vous devez faire nettoyer périodiquement l'intérieur de la sècheuse et du conduit de sortie par le personnel de service qualifié.
- N'installez jamais ou ne rangez jamais votre sècheuse dans un endroit exposé aux intempéries.
- Vérifiez toujours l'intérieur de la sècheuse pour y repérer tout corps étranger.
- Nettoyez le filtre à charpie avant ou après chaque brassée.
- Ne conservez pas d'objets en plastique, des papiers ou des vêtements susceptibles de s'enflammer ou de fondre en haut du séchoir pendant qu'il est en marche.

IMPORTANTES INSTRUCTIONS DE SÉCURITÉ

LISEZ TOUTES LES DIRECTIVES AVANT D'UTILISER L'APPAREIL

⚠ AVERTISSEMENT Pour votre sécurité, vous devez suivre l'information contenue dans ce manuel afin de réduire les risques d'incendie et d'explosion, de choc électrique, ainsi que pour éviter les dommages matériels, les blessures corporelles, ou un décès.

INSTRUCTIONS DE MISE À LA TERRE

Vous devez mettre à la terre cet appareil. En cas de panne ou de défaillance, la mise à la terre réduit le risque d'électrocution en offrant un chemin de moindre résistance au courant électrique. Cet appareil doit être muni d'un cordon doté d'un conducteur de mise à la terre et d'une fiche avec mise à la terre. Vous devez brancher la fiche dans une prise appropriée qui est bien installée et mise à la terre conformément à tous les codes et les ordonnances locales.

⚠ AVERTISSEMENT

Un mauvais branchement du conducteur de mise à la terre peut entraîner un risque d'électrocution. Vérifiez auprès d'un électricien qualifié ou d'un technicien de service si vous

n'êtes pas certain que l'appareil est bien mis à la terre.

Ne modifiez jamais la fiche fournie avec l'appareil. Si elle ne correspond pas à la prise, faites installer une bonne prise par un électricien qualifié.

Vous devez brancher cet appareil à un système de câblage permanent, en métal, mis à la terre ou vous devez faire courir un conducteur de mise à la terre avec les conducteurs du circuit et le brancher à la broche ou au contact de mise à la terre de l'appareil.

Si votre sècheuse n'est pas bien mise à la terre, cela peut entraîner une électrocution.

INSTRUCTIONS DE SÉCURITÉ POUR L'INSTALLATION

⚠ AVERTISSEMENT : Afin de réduire les risques d'incendie, de choc électrique, ou les blessures corporelles lorsque vous utilisez des électroménagers, vous devez toujours suivre les précautions de base, y compris ce qui suit :

- **Faites la mise à la terre de la sècheuse conformément à tous les codes et ordonnances en vigueur.** Suivez les directives d'installation détaillées. Si votre sècheuse n'est pas bien mise à la terre, cela peut entraîner une électrocution.
- **Avant de l'utiliser, la sècheuse doit être installée correctement conformément aux directives données dans ce manuel.** Si votre sècheuse n'est pas bien mise à la terre, cela peut entraîner une électrocution.
- **Installez et entreposez la sècheuse à un endroit où elle ne sera pas exposée à des températures sous le point de congélation ou exposée aux intempéries.**
- **Toutes les réparations et l'entretien doivent être faits par un service d'entretien autorisé, à moins qu'ils ne soient spécifiquement recommandés dans ce Guide d'utilisation.** Tout non-respect de cet avertissement peut entraîner des blessures graves, un incendie, l'électrocution, ou la mort.
- **Pour réduire le risque d'électrocution, n'installez jamais la sècheuse dans un espace humide.** Tout non-respect de cet avertissement peut entraîner des blessures graves, un incendie, l'électrocution, ou la mort.
- **N'installez pas l'appareil à proximité d'un article chauffant, tel un poêle, four ou chauffage.** Le non-respect de cette instruction peut causer une défaillance, générer de la fumée ou provoquer un incendie.
- **Ne placez pas de chandelles ou cigarettes sur le dessus du produit.** Le non-respect de cette instruction peut les faire fondre, générer de la fumée ou provoquer un incendie.
- **Retirez toute la pellicule protectrice en vinyle du produit.** Le non-respect de cette instruction peut la faire fondre, générer de la fumée ou provoquer un incendie.
- **Reliez à un circuit électrique protégé, correctement dimensionné et à la bonne tension pour éviter toute surcharge électrique.** Un mauvais circuit électrique peut fondre, en créant un danger d'électrocution et/ou d'incendie.
- **Retirez toutes pièces d'emballage et éliminez tous les matériaux d'expédition correctement.** Tout non-respect de ces instructions peut entraîner la mort, une explosion, un incendie, ou des brûlures.
- **Pour une installation dans un garage, installez la sècheuse à au moins 46 cm (18 po) au-dessus du plancher.** Tout non-respect de ces instructions peut entraîner la mort, une explosion, un incendie, ou des brûlures.
- **Conservez les matériaux d'emballage hors de la portée des enfants.** Les matériaux d'emballage peuvent être dangereux pour les enfants. Ils font courir un risque de suffocation.

IMPORTANTES INSTRUCTIONS DE SÉCURITÉ

LISEZ TOUTES LES DIRECTIVES AVANT D'UTILISER L'APPAREIL

⚠️ AVERTISSEMENT Pour votre sécurité, vous devez suivre l'information contenue dans ce manuel afin de réduire les risques d'incendie et d'explosion, de choc électrique ainsi que pour éviter les dommages matériels, les blessures corporelles, ou un décès.

INSTRUCTIONS DE SÉCURITÉ POUR L'INSTALLATION

Système d'évacuation d'air/Conduit :

- **L'air des sècheuses à gaz DOIT être évacué à l'extérieur.** Tout non-respect de ces instructions peut entraîner un incendie ou la mort.
- **Il faut évacuer également l'air des sècheuses à l'extérieur pour empêcher toute accumulation de grande quantité d'humidité et de charpie à l'intérieur de la pièce.** Une accumulation de charpie dans une partie de la maison peut entraîner un danger d'incendie et un risque pour la santé.
- **Utilisez uniquement un conduit métallique rigide ou flexible de 101 mm (4 po) de diamètre à l'intérieur de l'armoire de la sècheuse ou pour l'évacuation de l'air vers l'extérieur. L'utilisation des conduits en plastique ou d'autres conduits de type combustible risque de provoquer un incendie.** Un conduit perforé peut provoquer un incendie s'il s'affaisse ou se bloque partiellement en cours d'utilisation ou lors de l'installation.
- **Les pièces pour monter le système de conduits ne sont pas fournies avec la sècheuse. Il sera nécessaire d'obtenir les pièces sur place. La sortie extérieure doit être munie de clapets à charnière pour empêcher tout refoulement d'air lorsque la sècheuse est hors tension.** Tout non-respect de ces instructions peut entraîner un incendie ou la mort.
- **Le conduit d'évacuation d'air doit mesurer 4 po (10,2 cm) de diamètres sans obstructions. On doit le maintenir aussi court que possible. Assurez-vous de nettoyer tout vieux conduit avant d'installer votre nouvelle sècheuse.** Tout non-respect de ces instructions peut entraîner un incendie ou la mort.
- **Des conduits métalliques rigides ou semi-rigides sont recommandés entre le mur et la sècheuse. Lors d'une installation spéciale où il est impossible d'effectuer le raccord avec les matériaux recommandés, utilisez un conduit métallique flexible de transition homologué UL uniquement pour le raccord entre la sècheuse et le mur. L'utilisation de ce type de conduit influencera le temps de séchage.** Tout non-respect de ces instructions peut entraîner un incendie ou la mort.
- **N'utilisez PAS de vis à tôle ou d'autres types d'attaches qui pénétreraient dans le conduit et pourraient retenir les charpies et réduire ainsi l'efficacité du système d'évacuation d'air.** Fixez et scellez tous les raccords avec du ruban à conduit. Pour de plus amples détails, suivez les instructions d'installation. Tout non-respect de ces instructions peut entraîner un incendie ou la mort.

INSTRUCTIONS DE SÉCURITÉ POUR LES FONCTIONS DE VAPEUR

⚠️ AVERTISSEMENT : Afin de réduire les risques d'incendie, de choc électrique, ou les blessures corporelles lorsque vous utilisez des électroménagers, vous devez toujours suivre les précautions de base, y compris ce qui suit :

- **Ne pas ouvrir la porte de la sècheuse pendant les cycles vapeur.** Le non-respect de ces règles peut entraîner des risques de brûlures.
- **Ne pas sécher des articles ayant été nettoyés, lavés, trempés ou tachés par les composés suivants : essence, solvants de nettoyage à sec ou toute autre substance inflammable ou explosive. Ces substances peuvent produire des vapeurs potentiellement inflammables ou explosives.** Le non-respect de ces règles peut entraîner des risques d'incendies ou la mort.
- **Ne pas remplir l'alimentation de vapeur avec de l'essence, des solvants de nettoyage à sec ou d'autres substances inflammables ou explosives.** Le non-respect de ces règles peut entraîner des risques d'incendies ou la mort.
- **Ne pas toucher l'injecteur de vapeur dans le tambour pendant ou à la fin du cycle vapeur.** Le non-respect de ces règles peut entraîner des risques de brûlures.
- **Ne pas remplir l'alimentation de vapeur avec de l'eau chaude (au-dessus de 30 °C/86 °F).** Le non-respect de ces règles peut entraîner des risques de brûlures.

IMPORTANTES INSTRUCTIONS DE SÉCURITÉ

LISEZ TOUTES LES DIRECTIVES AVANT D'UTILISER L'APPAREIL

⚠ AVERTISSEMENT Pour votre sécurité, vous devez suivre l'information contenue dans ce manuel afin de réduire les risques d'incendie et d'explosion, de choc électrique ainsi que pour éviter les dommages matériels, les blessures corporelles, ou un décès.

INSTRUCTIONS DE SÉCURITÉ POUR LA RACCORDEMENT À L'ÉLECTRICITÉ

⚠ AVERTISSEMENT : Afin de réduire les risques d'incendie, de choc électrique, ou les blessures corporelles lorsque vous utilisez des électroménagers, vous devez toujours suivre les précautions de base, y compris ce qui suit :

- **Ne coupez et ne retirez dans aucun cas la broche de mise à la terre du cordon d'alimentation.** Branchez le cordon d'alimentation électrique dans une prise bien mise à la terre pour éviter des blessures corporelles ou des dommages à la sècheuse.
- **Pour votre sécurité personnelle, cette sècheuse doit être correctement mise à la terre.** Tout non-respect de cet avertissement peut entraîner des blessures ou l'électrocution.
- **Reportez-vous aux directives d'installation de ce manuel pour les exigences électriques spécifiques de à votre modèle.** Tout non-respect de ces instructions peut entraîner une électrocution et/ou un incendie.
- **Cette sècheuse doit être branchée sur une prise correctement mise à la terre. Si la sècheuse n'est pas correctement mise à terre, il peut entraîner une électrocution. Faites vérifier la prise murale et le circuit électrique par un électricien qualifié afin d'assurer leur mise à la terre correcte.** Tout non-respect de ces instructions peut entraîner une électrocution et/ou un incendie.
- **La sècheuse doit toujours être branchée sur une prise électrique distincte qui fournit une tension nominale correspondant à celle inscrite sur la plaque signalétique.** Ce branchement permet de fournir le meilleur rendement et permet aussi d'éviter la surcharge du circuit électrique domestique, ce qui pourrait entraîner un risque d'incendie en raison de la surchauffe des fils électriques.
- **Ne débranchez jamais la sècheuse en tirant sur le cordon d'alimentation. Tenez toujours fermement la fiche électrique et retirez directement de la prise.** Le cordon d'alimentation peut être endommagé, ce qui peut entraîner un danger d'électrocution ou d'incendie.
- **Réparez ou remplacez immédiatement tout cordon d'alimentation effiloché ou endommagé de quelque manière que ce soit. N'utilisez pas de cordon d'alimentation qui affiche des traces de fissures ou d'éraflures sur sa longueur ou aux extrémités.** Le cordon d'alimentation peut fondre, ce qui peut entraîner un danger d'électrocution ou d'incendie.
- **Lors de l'installation ou du déplacement de la sècheuse, attention de ne pas pincer, écraser, ou endommager le cordon d'alimentation.** Cela empêchera des blessures corporelles ou des dommages à votre sècheuse, occasionnés par un incendie ou une électrocution.

CONSERVEZ CES DIRECTIVES

PIÈCES ET CARACTÉRISTIQUES

CARACTÉRISTIQUES SPÉCIALES

A PANNEAU DE COMMANDE CONVIVAL

Faites pivoter le bouton sélecteur de cycle au cycle désiré. Ajoutez des options de cycle et ajustez les paramètres au toucher d'un bouton.

B PORTE RÉVERSIBLE À ACCÈS FACILE

Une porte à grande ouverture facilite l'accès au chargement et déchargement de l'appareil. Il est possible d'inverser l'ouverture de la porte en fonction de l'emplacement de l'appareil.

C FONCTIONS DE VAPEUR

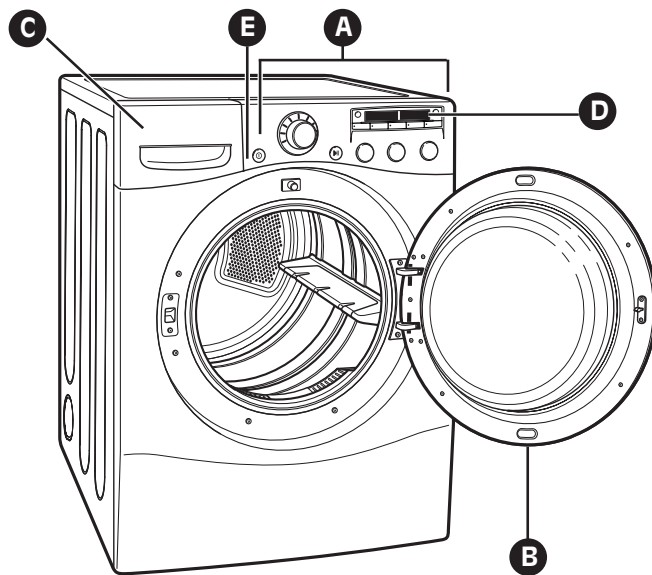
La technologie vapeur LG permet de vaporiser sur les tissus des jets de vapeur chaude tourbillonnant pour rafraîchir les vêtements, réduire l'électricité statique et rendre le repassage plus facile. Sélectionnez simplement le cycle STEAMFRESH^{MC}. Vous pouvez également ajouter une option Vapeur aux cycles sélectionnés.

D SYSTÈME DE DÉTECTION DES BLOCAGES DANS LE CONDUIT D'ÉVACUATION FLOW SENSE^{MC}

Le système de détection des blocages dans le conduit d'évacuation FLOW SENSE^{MC} détecte et indique les blocages dans et le conduit d'évacuation qui réduisent le flux d'air dans le conduit de la sècheuse. Les circuits d'évacuation propres accroissent l'efficacité et réduisent les temps de séchage.

E SMARTDIAGNOSIS^{MC}

Si votre sècheuse présente des difficultés techniques, celui-ci a la capacité de transmettre des données par téléphone au Centre d'informations clients. Le centre d'appels enregistre les données transmises depuis votre machine et les utilise pour analyser l'incident et fournir un diagnostic rapide et efficace (voir page 38)



PIÈCES ET CARACTÉRISTIQUES

COMPOSANTES ET PIÈCES PRINCIPALES

En plus des composantes et caractéristiques spéciales détaillées dans la section *Caractéristiques spéciales*, ce manuel fait référence à de nombreuses autres composantes importantes.

A FILTRE À CHARPIE EN FAÇADE

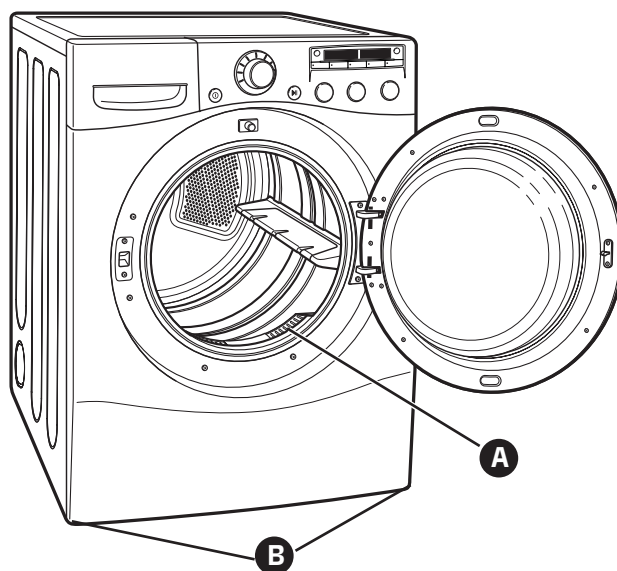
Le filtre à fibres monté à l'avant permet un accès facile pour le nettoyage entre les charges.

B PIEDS DE NIVELLEMENT

Quatre pieds de nivellement (deux à l'avant et deux à l'arrière) sont réglables pour améliorer la stabilité de la sècheuse sur un plancher inégal.

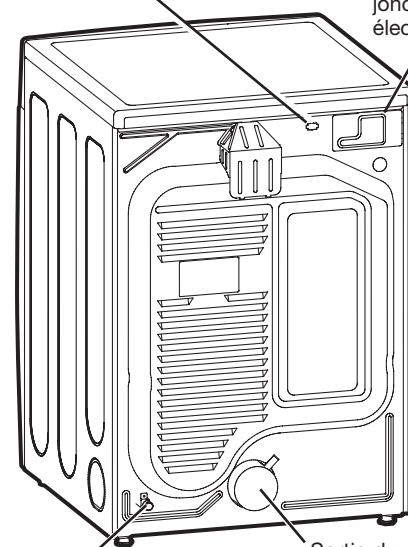
C GRILLE DE SÉCHAGE

Utilisez la grille de séchage avec le cycle RACK DRY pour sécher en toute de sécurité des pièces comme des pull-overs, des linges délicats et des chaussures de sport sans culbutage ni surchauffe.



Emplacement du cordon d'alimentation (modèles à gaz)

Porte d'accès au bloc de jonction (modèles électriques)

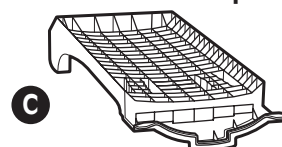


Emplacement du raccord à la canalisation de gaz (modèles à gaz)

Sortie du conduit d'évacuation d'air

Dos de la sècheuse

Accessoires compris



Grille de séchage

INSTRUCTIONS D'INSTALLATION

⚠ AVERTISSEMENT: Lire toutes les directives d'installation dans leur intégralité avant d'installer et d'utiliser votre sècheuse !

Il est important que vous lisiez ce manuel dans son intégralité avant d'installer et d'utiliser votre sècheuse. Vous retrouverez dans les pages qui suivent des directives détaillées pour les raccords électriques et de gaz, ainsi que les exigences en matière d'évacuation de l'air.

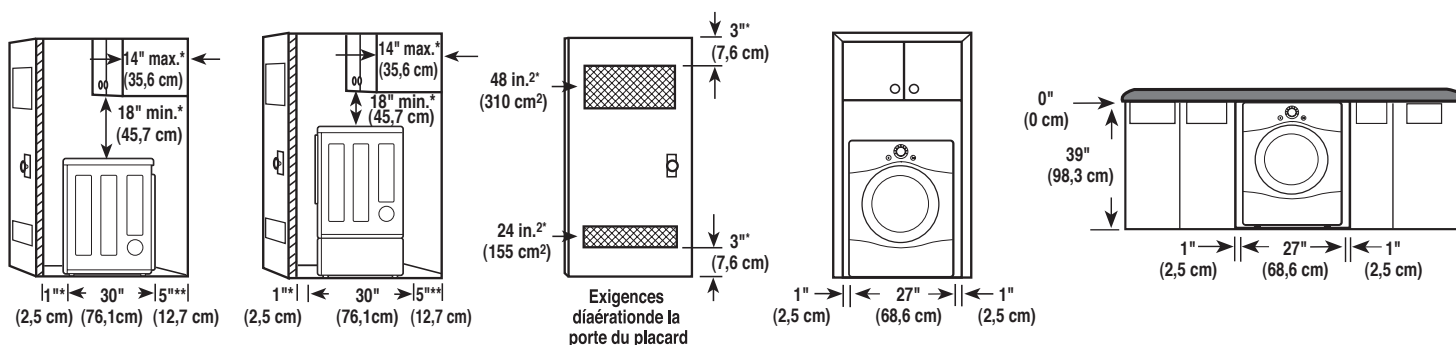
CONDITIONS REQUISES POUR L'EMPLACEMENT D'INSTALLATION

- Emplacement permettant une installation appropriée d'évacuation. L'évacuation d'une sècheuse à gaz doit s'effectuer vers l'extérieur. Voir **Exigences de ventilation**.
- Une prise électrique avec prise de terre située à 61 cm (2 pieds) maximum sur le côté de la sècheuse. Voir **Exigences électriques**.
- Un plancher robuste capable d'accepter le poids total de la sècheuse soit 90,7 kg (200 lbs). Le poids combiné d'un appareil associé doit également être pris en considération.
- Un inclinaison maximale du plancher de 2,5 cm (1 pouce) sous l'ensemble de sècheuse. Pour une inclinaison supérieure à 2,5 cm (1 pouce), installez le kit d'extension de pieds de sècheuse. La rotation des vêtements peut ne pas s'effectuer de façon appropriée et des cycles de capteurs automatiques peuvent ne pas fonctionner correctement si la sècheuse n'est pas à niveau.
- Si vous installez la sècheuse dans un garage, vous devez la placer à 46 cm (18 pouces) minimum au-dessus du sol. Si vous la posez sur socle, sa hauteur au bas de la sècheuse doit être de 46 cm (18 pouces).

Évitez de faire fonctionner votre sècheuse si la température passe en dessous de 7°C (45°F). À des températures inférieures, la sècheuse peut ne pas s'arrêter à la fin d'un cycle automatique. Il peut en résulter des temps de séchage prolongés. Vous ne devez pas installer ou stocker la sècheuse dans un endroit exposé aux intempéries ou inondations. Respectez les réglementations en vigueur. Certaines réglementations limitent, voire interdisent, l'installation de sècheuse dans des garages, des placards, des mobiles-homes ou des locaux destinés au sommeil. Contactez le responsable de votre bâtiment.

REMARQUE : Aucun autre matériel à combustibles ne peut être installé dans le même placard que la sècheuse.

DÉGAGEMENTS



Espace pour une installation en encastrement ou dans un placard

Les dimensions d'espace suivantes sont recommandées pour cette sècheuse. Nous avons testé cette sècheuse pour un espace utile de 0 cm (0 pouce) les côtés et à l'arrière de l'appareil. Vous devez tenir compte d'un espace pour les raisons suivantes :

- Il faut prendre en compte un espace supplémentaire pour faciliter l'installation et pour l'entretien de l'appareil.
- Des dégagements supplémentaires sont à prévoir pour les moulures au niveau des murs, portes et des planchers.

■ Il faut aussi prévoir un espace supplémentaire sur tous les côtés de la sècheuse afin de réduire la propagation du bruit. S'il s'agit d'une installation dans un placard, un minimum d'ouvertures de ventilation doit être réalisé en haut et en bas de la porte du placard. Des portes à persiennes dotées d'ouvertures de ventilation équivalentes sont acceptables.

■ Il faut considérer un espace pour un appareil associé.

Suggestion : Vous devez maintenir un petit espace autour du sèche-linge (ou de tout autre appareil) pour éviter le transfert de vibrations d'un appareil à un autre. Si les vibrations sont trop fortes, elles pourraient générer du bruit ou conduire les appareils à se toucher, endommageant leurs finitions et générant ainsi encore plus de bruit.

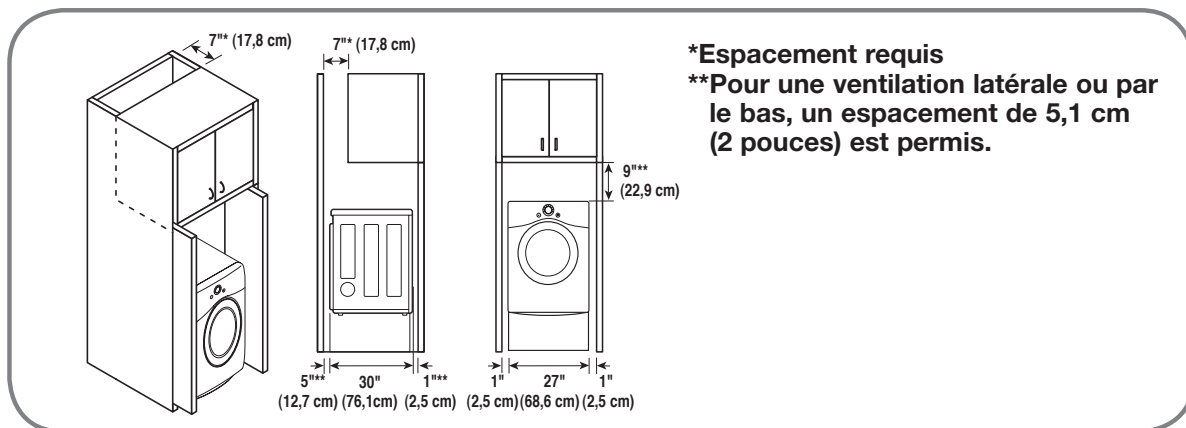
INSTRUCTIONS D'INSTALLATION

INSTALLATIONS AVEC PIÉDESTAL OU TROUSSE D'EMPILAGE EN OPTION

AVERTISSEMENT : Si vous installez la sècheuse avec le piédestal ou la trousse d'empilage en option, consultez la section *Accessoires en option* dans ce manuel ou la section des directives relatives à votre piédestal ou à votre trousse d'empilage avant de procéder à l'installation.

Espacement recommandé pour une installation dans une armoire

- S'il s'agit d'une installation dans une armoire, un minimum d'ouvertures de ventilation doit être réalisé en haut et en bas de la porte du placard.

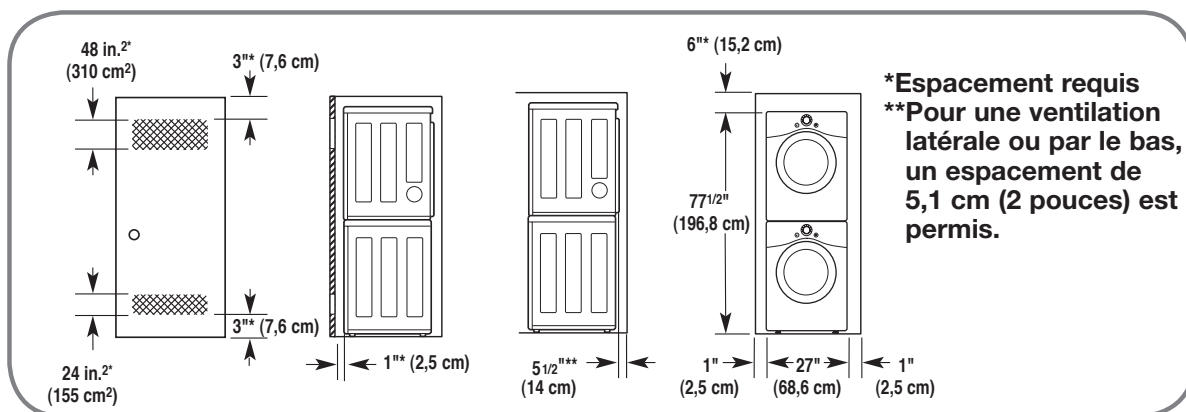


Les exigences de ventilation d'armoire

Les armoires avec les portes doivent avoir tous les deux une bouche supérieure et inférieure pour éviter l'accumulation d'humidité et de chaleur dans l'armoire. Une bouche supérieure s'ouvrant avec une ouverture minimale de 310 cm², ne doit pas être installée plus bas qu'à 6 pieds au-dessus du plancher. Une bouche inférieure s'ouvrant avec une ouverture minimale de 155 cm² ne doit pas être installée plus haut qu'à 1 pied au-dessus du plancher. Un exemple montre l'utilisation des grilles de ventilation dans la porte.

Espacement recommandé pour l'installation dans un placard ou un renforcement, avec le sèche-linge placé au-dessus du lave-linge.

- Les dimensions indiquées sont celles recommandées pour l'espace.



INSTRUCTIONS D'INSTALLATION

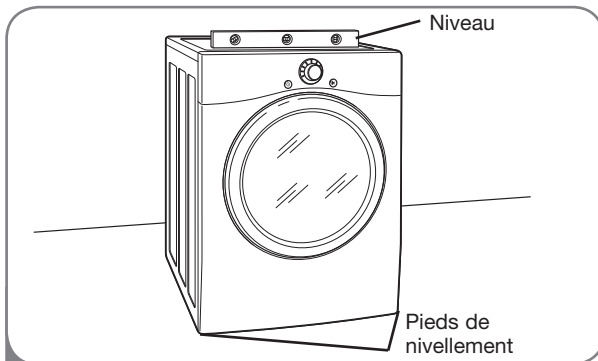
MISE À NIVEAU DE LA SÉCHEUSE

⚠ AVERTISSEMENT

- Pour réduire le risque de blessure, observer toutes les procédures de sécurité recommandées par l'industrie, y compris l'utilisation de gants à manches longues et de lunettes de sécurité.
- Les appareils sont lourds. Deux personnes ou plus sont nécessaires pour déplacer le séchoir (la sècheuse).
- Le défaut de respecter toutes les consignes de sécurité de ce manuel peut causer des dommages, des blessures ou la mort.

Pour optimiser le rendement de l'appareil, la sècheuse doit être à niveau. Pour minimiser la vibration, le bruit, et les mouvements indésirables, le plancher doit être une surface solide et à niveau. Il ne devrait pas y avoir plus de 1" de différence de hauteur sur le plancher entre l'avant et l'arrière ou d'un côté à l'autre.

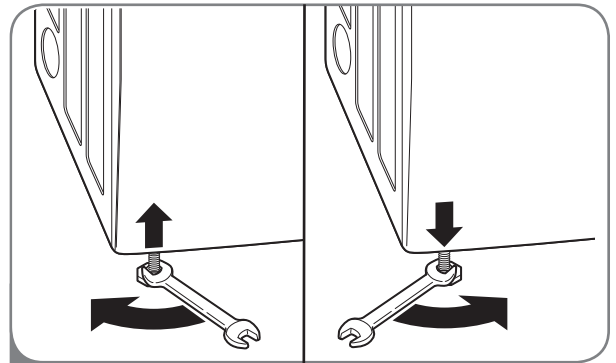
REMARQUE : Ajustez les pieds de nivellement seulement pour répondre aux besoins de mise à niveau de la sècheuse. Les étendre plus qu'il est nécessaire pourrait provoquer des vibrations.



- 1 Placez la sècheuse à l'endroit où elle demeurera. Placez un niveau en travers de la surface de la sècheuse.

- Les quatre pieds de nivellement doivent reposer solidement sur le plancher. Appuyez délicatement sur les coins supérieurs de la sècheuse pour vous assurer qu'elle ne balance pas d'un coin à l'autre.

Si vous installez la sècheuse sur le piédestal en option, vous devez utiliser les pieds de nivellement du **piédestal** pour mettre la sècheuse au niveau. Rétractez entièrement les pieds de nivellement de la sècheuse.

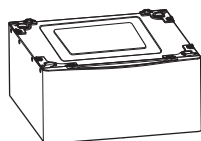


- 2 Utilisez une clé à molette pour tourner les pieds de nivellement. Tournez dans le sens horaire pour élever la sècheuse ou dans le sens antihoraire pour l'abaisser. Élevez ou abaissez les pieds jusqu'à ce que la sècheuse soit à niveau d'un côté à l'autre et de l'avant à l'arrière.

Assurez-vous que les 4 pieds de nivellement sont en contact ferme avec le plancher.

ACCESSOIRES EN OPTION

Pour ces produits LG et les autres, contactez votre détaillant LG local ou visitez notre site Internet au www.lg.com.



Piédestal
(vendu séparément)



Trousse d'empilage
(vendu séparément)

INSTRUCTIONS D'INSTALLATION

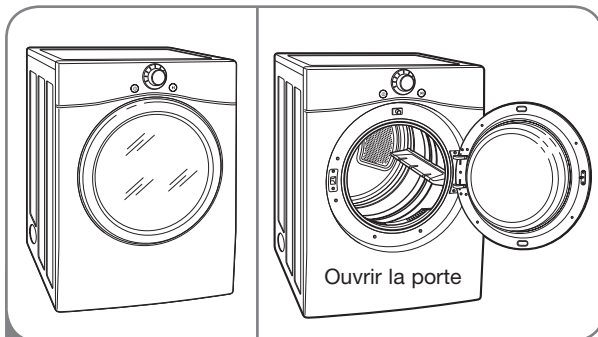
POUR RETIRER LA PORTE

⚠ AVERTISSEMENT

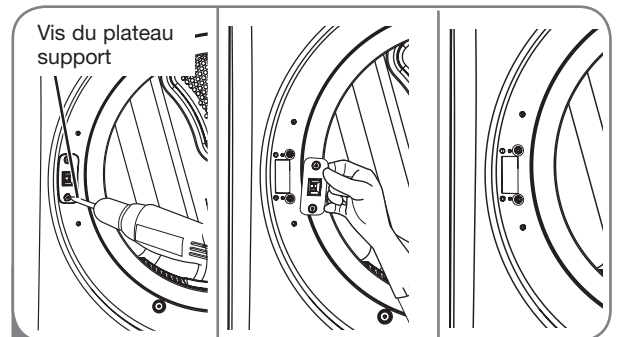
LA PORTE DU SÈCHE-LINGE EST TRÈS LARGE ET LOURDE.

Si vous ne respectez pas les instructions ci-dessous, vous risquez d'endommager le sèche-linge, de provoquer des dégâts matériels ou de vous blesser.

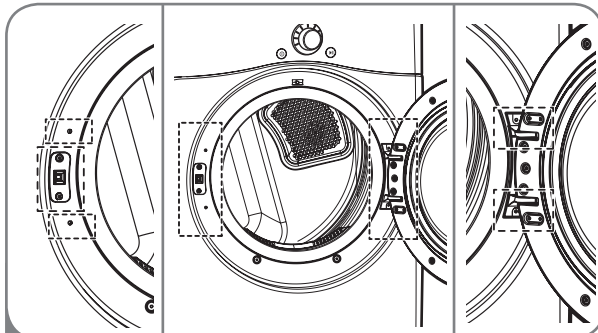
- Pour éviter d'endommager le sèche-linge ou la porte, soutenez la porte en plaçant dessous un tabouret ou une caisse adaptée, ou faites-vous aider d'une personne pour soutenir le poids de la porte.
- Inversez toujours la porte AVANT d'empiler le sèche-linge sur le lave-linge.
- Évitez de laisser tomber la porte pour ne pas l'abîmer ou endommager le sol.



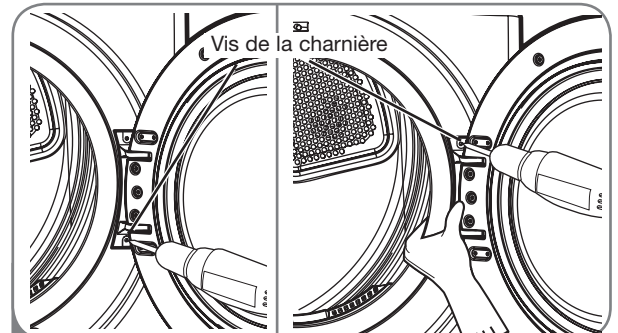
1 Ouvrez la porte pour commencer l'inversion.



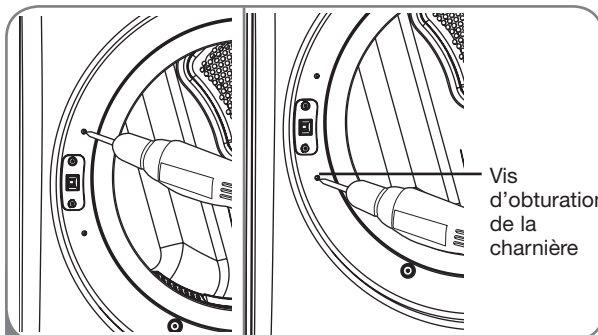
4 Retirez les vis et sortez le plateau support.



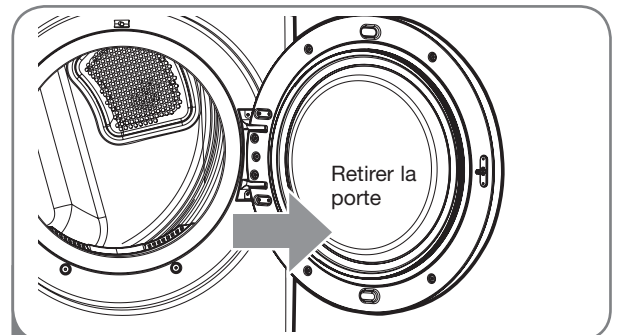
2 Repérez les vis à retirer (6 à gauche, 4 à droite).



5 Soutenez la porte pendant que vous retirez les 4 vis de la charnière.
(Ne pas faire tomber la porte.)



3 Retirez les quatre vis d'obturation.



6 Retirez la porte de la façade avant de la sècheuse.

INSTRUCTIONS D'INSTALLATION

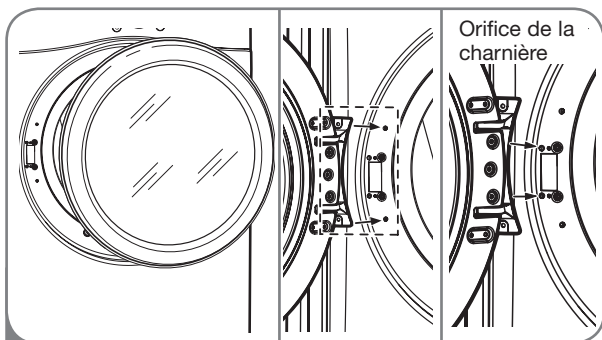
POUR INSTALLER LA PORTE

⚠ AVERTISSEMENT

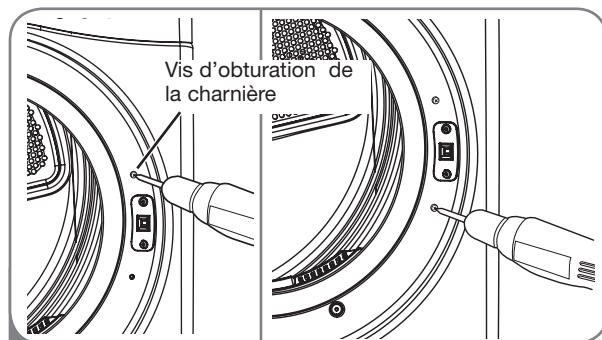
LA PORTE DU SÈCHE-LINGE EST TRÈS LARGE ET LOURDE.

Si vous ne respectez pas les instructions ci-dessous, vous risquez d'endommager le sèche-linge, de provoquer des dégâts matériels ou de vous blesser.

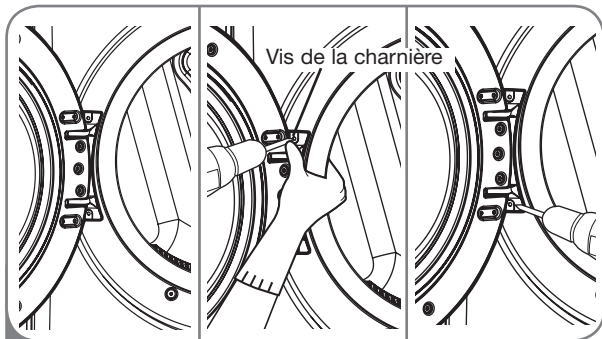
- Pour éviter d'endommager le sèche-linge ou la porte, soutenez la porte en plaçant dessous un tabouret ou une caisse adaptée, ou faites-vous aider d'une personne pour soutenir le poids de la porte.
- Inversez toujours la porte AVANT d'empiler le sèche-linge sur le lave-linge.
- Évitez de laisser tomber la porte pour ne pas l'abîmer ou endommager le sol.



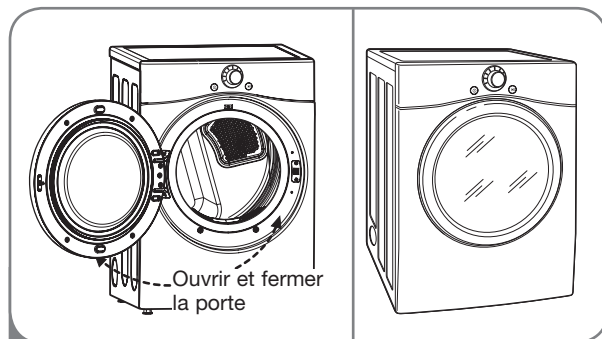
- 1 Tournez la porte de 180° vers la gauche et insérez la charnière dans l'orifice prévu à cet effet.



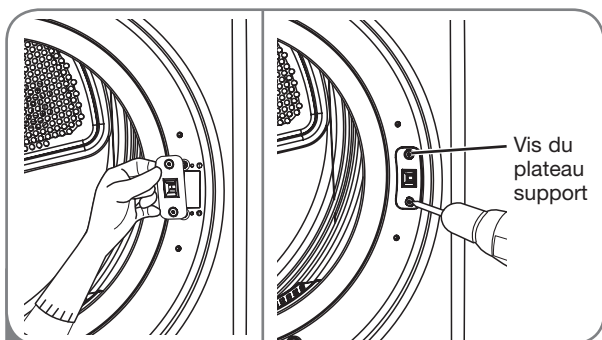
- 4 Remettez en place les 4 vis d'obturation sur le côté droit.



- 2 Soutenez la porte pendant que vous installez les vis de la charnière. (Ne pas faire tomber la porte.)



- 5 Vérifiez que la porte s'ouvre et se ferme correctement.



- 3 Insérez le plateau support sur le côté droit et fixez les vis.

INSTRUCTIONS D'INSTALLATION

MODIFICATION DE L'EMPLACEMENT DE LA SORTIE D'AIR

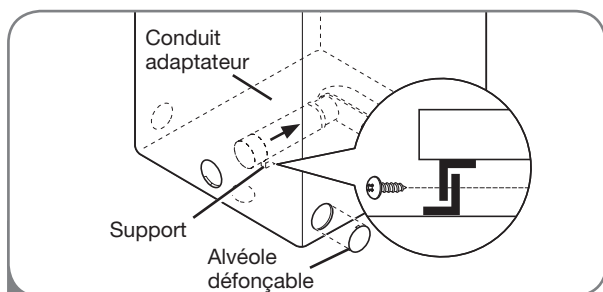
⚠ AVERTISSEMENT

- Utiliser un évent en métal robuste.
- Ne pas utiliser de conduit en plastique ou en aluminium mince.
- Nettoyer les anciens conduits avant l'installation de la sècheuse.
- Porter des gants durant l'installation.
- Protégez vos mains et bras des bords coupants lorsque vous travaillez dans la caisse. Veillez à porter des gants.
- Pour réduire le risque de blessure, observez toutes les procédures de sécurité recommandées par l'industrie, y compris l'utilisation de gants à manches longues et de lunettes de sécurité.
- Le défaut de respecter toutes les consignes de sécurité de ce manuel peut causer des dommages, des blessures ou la mort.

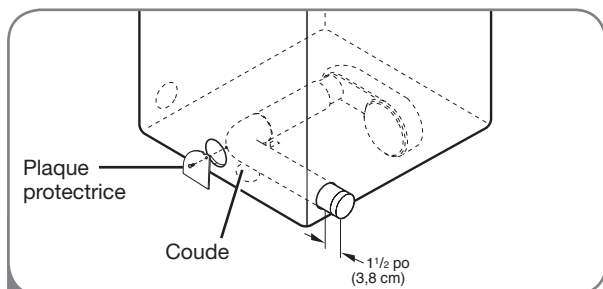
Votre nouvelle sècheuse est livrée avec une sortie d'air arrière. Il est possible d'en modifier la position pour obtenir une sortie d'air sous l'appareil ou sur le côté (la sortie d'air sur le côté droit n'est pas offerte sur les modèles à gaz).

Une trousse de conversion, pièce n° **383EEL9001B**, est offerte chez votre détaillant LG. L'ensemble comprend les éléments nécessaires pour modifier l'emplacement du conduit de la sortie d'air.

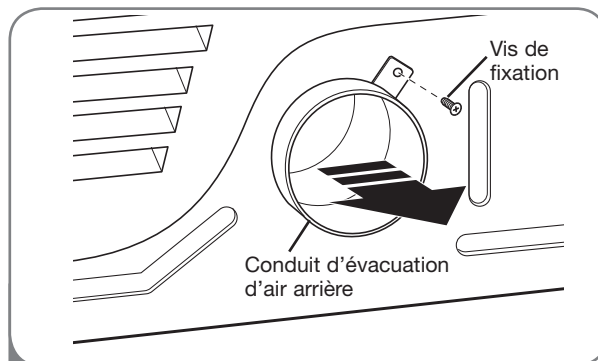
OPTION 1 : Sortie d'air latérale



- 2 Appuyez sur les languettes de l'alvéole défonçable et retirez soigneusement la pièce pour dégager l'ouverture voulue (la sortie d'air sur le côté droit n'est pas offerte sur les modèles à gaz). Insérez le conduit adaptateur dans le boîtier de ventilateur et fixez-le à la base de la sècheuse comme indiqué.

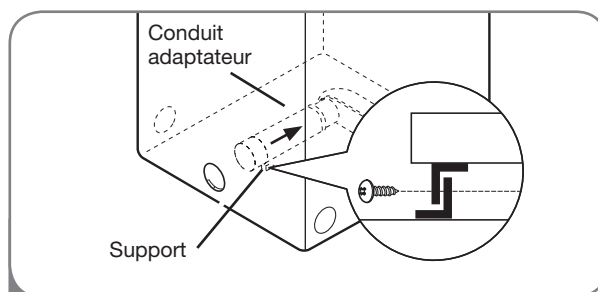


- 3 Préassemblez un coude de 4 po (10,2 cm) de diamètre à la prochaine section de conduit de 4 po (10,2 cm) et fixez solidement tous les raccords avec du ruban à conduits. Assurez-vous que l'extrémité mâle du coude est dirigé dans le SENS OPPOSÉ de la sècheuse. Insérez l'ensemble coude/conduit dans l'ouverture latérale et enfoncez-le dans le conduit adaptateur. Fixez solidement en position avec du ruban à conduits. Assurez-vous que l'extrémité mâle du conduit dépasse d'environ 1 1/2 po (3,8 cm) pour le raccorder au système de conduits. Fixez la plaque protectrice au dos de la sècheuse avec la vis fournie.

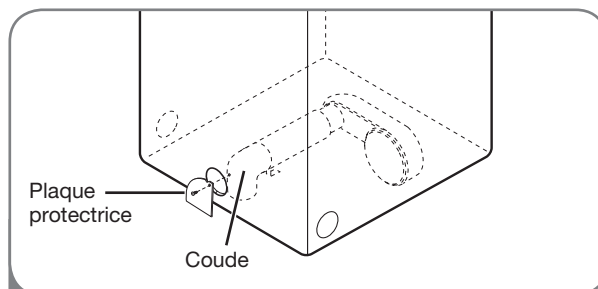


- 1 Dévissez la vis de fixation du conduit d'évacuation d'air arrière. Tirez sur le conduit pour le faire sortir.

OPTION 2 : Sortie d'air inférieure



- 2 Insérez le conduit adaptateur dans le boîtier de ventilateur et fixez-le à la base de la sècheuse comme indiqué.



- 3 Insérez le coude de 4 po (10,2 cm) de diamètre dans l'ouverture arrière et enfoncez-le dans le conduit adaptateur. Assurez-vous que l'extrémité mâle du coude soit face au bas par le trou au fond de la sècheuse. Fixez solidement en position avec du ruban à conduits. Fixez la plaque protectrice au dos de la sècheuse avec la vis fournie.

INSTRUCTIONS D'INSTALLATION

VENTILATION DE LA SÉCHEUSE

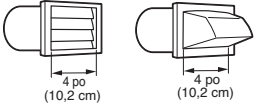
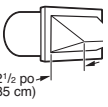
⚠ AVERTISSEMENT : Afin de réduire les risques d'incendie, de choc électrique, ou les blessures corporelles lorsque vous utilisez cet électroménager, vous devez toujours suivre les précautions de base, y compris ce qui suit :

- **N'écrasez pas et ne laissez pas le système de conduits s'affaisser.** Tout non-respect de ces instructions peut entraîner un incendie ou la mort.
- **Ne laissez pas le système de conduits reposer contre ou toucher des objets tranchants.** Tout non-respect de ces instructions peut entraîner un incendie ou la mort.
- **Dans le cas d'un raccord à un système de conduits existant, assurez-vous qu'il convient à cet effet et qu'il est propre avant d'installer la sècheuse.** Tout non-respect de ces instructions peut entraîner un incendie ou la mort.
- **Le système d'évacuation d'air doit être conforme aux codes du bâtiment locaux en vigueur.** Tout non-respect de ces instructions peut entraîner un incendie ou la mort.
- **L'air des sècheuses à gaz DOIT être évacué à l'extérieur.** Tout non-respect de ces instructions peut entraîner un incendie ou la mort.
- **Utilisez uniquement des conduits métalliques rigides ou flexibles de 4 po (10,2 cm) de diamètre à l'intérieur de l'armoire de la sècheuse et pour la ventilation extérieure.** Tout non-respect de ces instructions peut entraîner un incendie ou la mort.
- **Pour réduire le risque d'incendie, de combustion, ou d'accumulation de gaz combustibles, N'acheminez PAS le conduit d'évacuation d'air de la sècheuse dans un endroit clos sans ventilation comme un grenier, un mur, un plafond, une galerie technique, une cheminée, un conduit d'évacuation de la combustion de gaz ou un espace dissimulé d'un édifice.** Tout non-respect de ces instructions peut entraîner un incendie ou la mort.
- **Pour réduire le risque d'incendie, N'évacuez PAS l'air de la sècheuse par un conduit de plastique ou en aluminium mince.** Tout non-respect de ces instructions peut entraîner un incendie ou la mort.
- **Le conduit d'évacuation d'air doit mesurer 4 po (10,2 cm) de diamètres sans obstructions. On doit le maintenir aussi court que possible. Assurez-vous de nettoyer tout vieux conduit avant d'installer votre nouvelle sècheuse.** Tout non-respect de ces instructions peut entraîner un incendie ou la mort.
- **Des conduits métalliques rigides ou semi-rigides sont recommandés entre le mur et la sècheuse. Lors d'une installation spéciale où il est impossible d'effectuer le raccord avec les matériaux recommandés, utilisez un conduit métallique flexible de transition homologué UL uniquement pour le raccord entre la sècheuse et le mur. L'utilisation de ce type de conduit influencera le temps de séchage.** Tout non-respect de ces instructions peut entraîner un incendie ou la mort.
- **N'utilisez PAS de vis à tôle ou d'autres types d'attaches qui pénétreraient dans le conduit et pourraient retenir les charpies et réduire ainsi l'efficacité du système d'évacuation d'air. Fixez et scellez tous les raccords avec du ruban à conduit.** Tout non-respect de ces instructions peut entraîner un incendie ou la mort.
- **Pour optimiser les résultats de fonctionnement de l'appareil, observez les restrictions de longueur de conduit décrites dans le tableau en page 17.** Tout non-respect de ces instructions peut entraîner un incendie ou la mort.
- **Les pièces pour monter le système de conduits ne sont pas fournies avec la sècheuse. Il sera nécessaire d'obtenir les pièces sur place. La sortie extérieure doit être munie de clapets à charnière pour empêcher tout refoulement d'air lorsque la sècheuse est hors tension.** Tout non-respect de ces instructions peut entraîner un incendie ou la mort.
- **La longueur totale du conduit en métal flexible ne doit pas dépasser 2,4 m.**
- **Au Canada, en cas d'utilisation d'un conduit flexible de type feuille métallique, celui-ci doit être spécifiquement identifié par le fabricant comme convenant à une utilisation avec une sècheuse.** Aux États-Unis, en cas d'utilisation d'un conduit flexible de type feuille métallique, celui-ci doit être spécifiquement identifié par le fabricant comme convenant à une utilisation avec une sècheuse et doit être conforme à la « Outline for Clothes Dryer Transition Duct » (Directive pour les conduits de transition des sècheuses), sujet 2158A.

INSTRUCTIONS D'INSTALLATION

VENTILATION DE LA SÈCHEUSE (suite)

Systeme d'évacuation d'air

Type de sortie murale externe	Nombre de coudes de 90°	Longueur max. de 4 po (10,2 cm) de diamètre conduit métallique rigide
<p>Recommandé</p>  <p>4 po (10,2 cm) 4 po (10,2 cm)</p>	0	65 pi (19,8 m)
	1	55 pi (16,8 m)
	2	47 pi (13,7 m)
	3	36 pi (11,0 m)
	4	28 pi (8,5 m)
<p>Utilisez seulement pour les trajets courts</p>  <p>2 1/2 po (6,35 cm)</p>	0	55 pi (16,8 m)
	1	47 pi (13,7 m)
	2	41 pi (12,5 m)
	3	30 pi (9,1 m)
	4	22 pi (6,7 m)

REMARQUE : Déduisez 6 pi (1,8 m) pour chaque coude supplémentaire. Il n'est pas recommandé d'utiliser plus de quatre coudes de 90°.

Acheminement et raccord du système d'évacuation d'air

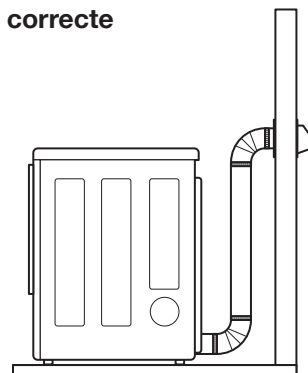
Suivez les lignes directrices ci-dessous pour optimiser le rendement de l'appareil et réduire l'accumulation de charpies et de condensation dans les conduits.

REMARQUE : Les conduits et raccords NE sont PAS compris, achetez-les séparément.

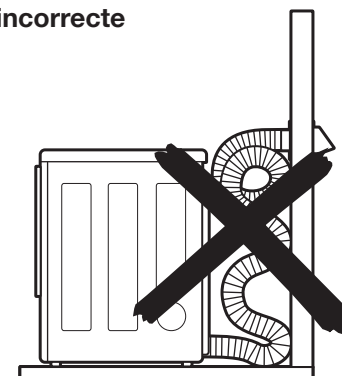
- Utilisez des conduits métalliques rigides ou semi-rigides de 4 po (10,2 cm) de diamètre.
- On doit maintenir le conduit d'évacuation d'air aussi court que possible.
- Autant que possible, limitez le nombre de coudes.
- L'extrémité mâle de chaque section du système de conduits **doit** être dirigé dans le sens opposé de la sècheuse.
- Utilisez du ruban onduits sur tous les raccords.
- Isolez les conduits qui passent dans des aires non chauffées pour réduire la condensation et l'accumulation de charpies sur les surfaces des conduits.

IMPORTANT : Tout manquement à évacuer l'air de la sècheuse correctement annulera la garantie de la sècheuse.

Ventilation correcte



Ventilation incorrecte



INSTRUCTIONS D'INSTALLATION

RACCORDEMENT DES SÉCHEUSES À GAZ

⚠️ AVERTISSEMENT : Afin de réduire les risques d'incendie, de choc électrique, ou les blessures corporelles lorsque vous utilisez cet électroménager, vous devez toujours suivre les précautions de base, y compris ce qui suit :

- **Alimentation en gaz requis :**
La sécheuse est expédiée de l'usine prête pour l'utilisation avec du gaz naturel. Elle peut être convertie pour une utilisation avec du gaz de PL (propane liquide). La pression du gaz ne doit pas dépasser 13 po (33 cm) de colonne d'eau.
- **Un technicien de service qualifié ou du fournisseur de gaz doit raccorder la sécheuse à l'alimentation de gaz.** Tout non-respect de ces instructions peut entraîner un incendie, une explosion, ou la mort.
- **Isolez la sécheuse du système d'alimentation en gaz en fermant à la main la soupape de fermeture individuelle de l'appareil lors de tout essai de pression de l'alimentation en gaz.** Tout non-respect de ces instructions peut entraîner un incendie, une explosion, ou la mort.
- **Conduit d'alimentation requis :** La salle de lavage doit être munie d'un tuyau d'alimentation en gaz naturel rigide vers la sécheuse. Aux États-Unis, une soupape de fermeture manuelle individuelle DOIT être installée à au moins 6 pi (1,8 m) de la sécheuse en conformité à la norme ANSI Z223.1 du code national des gaz combustibles ou la norme CSA B149.1 du code canadien pour l'installation de gaz. Veillez à installer un bouchon de canalisation NPT de 1/8 po (3,1 mm). Tout non-respect de ces instructions peut entraîner un incendie, une explosion, ou la mort.
- **Dans le cas de l'utilisation d'un tuyau rigide, le raccord doit être de 1/2 po (12,7 mm) IPS.** Si les codes et règlements locaux l'autorisent et que le fournisseur de gaz l'accepte, utilisez une tubulure de 3/8-(9,5 mm) homologuée lorsque les distances sont de moins de 20 pi (6,1 m). Un tubulure de plus grand diamètre devrait être utilisée pour des longueurs dépassant le 20 pi (6,1 m). Tout non-respect de ces instructions peut entraîner un incendie, une explosion, ou la mort.
- **Raccordez la sécheuse au type de gaz indiqué sur la plaque signalétique.** Tout non-respect de ces instructions peut entraîner un incendie, une explosion, ou la mort.
- **Pour éviter toute contamination de la soupape de fermeture de l'alimentation en gaz, purgez le tuyau d'alimentation de tout air et sédiments avant de le raccorder à la sécheuse. Avant de serrer les raccords entre l'alimentation en gaz et la sécheuse, purgez l'air restant jusqu'à ce que vous déceliez une odeur de gaz.** Tout non-respect de ces instructions peut entraîner un incendie, une explosion, ou la mort.
- **N'utilisez PAS de flamme nue pour rechercher toute trace de fuites. Utilisez un liquide de détection de fuites à l'épreuve de la corrosion.** Tout non-respect de ces instructions peut entraîner un incendie, une explosion, ou la mort.
- **Utilisez uniquement un nouveau tuyau d'alimentation en gaz homologué AGA ou CSA avec des raccords en acier inoxydable flexible.** Tout non-respect de ces instructions peut entraîner un incendie, une explosion, ou la mort.
- **Serrez solidement tous les raccords de gaz.** Tout non-respect de ces instructions peut entraîner un incendie, une explosion, ou la mort.
- **Appliquez de la pâte pour joints insoluble dans du gaz de pétrole liquéfié (PL) sur tous les filetages.** Ne Tout non-respect de ces instructions peut entraîner un incendie, une explosion, ou la mort.
- **N'essayez PAS de démonter la sécheuse. En effet, tout démontage exige l'attention et les outils d'un technicien de service ou d'une entreprise qualifié(e) et autorisé(e).** Tout non-respect de ces instructions peut entraîner un incendie, une explosion, ou la mort.

Exigences électriques exigés uniquement pour les modèles à gaz

⚠️ AVERTISSEMENT : Afin de réduire les risques d'incendie, de choc électrique ou les blessures corporelles lorsque vous utilisez cet électroménager, vous devez toujours suivre les précautions de base, y compris ce qui suit :

- **Ne coupez et ne retirez dans aucun cas la troisième broche de mise à la terre du cordon d'alimentation.** Tout non-respect de ces instructions peut entraîner un incendie, une explosion, ou la mort.
- **Pour votre sécurité personnelle, cette sécheuse doit être correctement mise à la terre.** Tout non-respect de ces instructions peut entraîner un incendie, une explosion, ou la mort.
- **Cette sécheuse est munie d'un cordon d'alimentation doté d'une fiche à prise de terre à trois broches qui se branche sur une prise triphasée murale standard correspondante afin de minimiser le risque de choc électrique.** Tout non-respect de ces instructions peut entraîner un incendie, une explosion, ou la mort.
- **Cette sécheuse doit être branchée dans une prise mise à la terre de 120 volts en c.a. à 60 Hz protégée par un fusible ou un disjoncteur de 15 ampères. Un circuit de branche seulement pour cette sécheuse est recommandé.** Tout non-respect de ces instructions peut entraîner un incendie, une explosion, ou la mort.
- **Si vous avez une prise murale standard à deux fiches, il est de votre responsabilité et obligation de la faire remplacer par une prise murale triphasée.** Tout non-respect de ces instructions peut entraîner un incendie, une explosion, ou la mort.

INSTRUCTIONS D'INSTALLATION

RACCORDEMENT DES SÈCHEUSES À GAZ (suite)

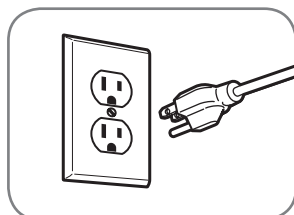
⚠ AVERTISSEMENT : Afin de réduire les risques d'incendie, de choc électrique, ou les blessures corporelles lorsque vous utilisez cet électroménager, vous devez toujours suivre les précautions de base, y compris ce qui suit :

- **L'installation et l'entretien doivent être effectués par un installateur qualifié, une agence de service, ou le fournisseur de gaz.** Tout non-respect de ces instructions peut entraîner un incendie, une explosion, ou la mort.
- **Utilisez uniquement un tuyau flexible neuf en acier inoxydable et un nouveau raccord homologué AGA.** Tout non-respect de ces instructions peut entraîner un incendie, une explosion, ou la mort.
- **Installez une soupape de fermeture de l'alimentation en gaz à moins de 6 pi (1,8 m) de la sécheuse.** Tout non-respect de ces instructions peut entraîner un incendie, une explosion, ou la mort.
- **Assurez-vous que la sécheuse soit dotée de la buse de brûleur correcte pour le type de gaz qui sera utilisé (gaz naturel ou gaz de pétrole liquéfiés). La sécheuse est livrée prête pour une utilisation avec du gaz naturel.** Tout non-respect de ces instructions peut entraîner un incendie, une explosion, ou la mort.
- **Si nécessaire, la buse correcte devra être installée par un technicien qualifié (pour la rousse de conversion PL, commandez la pièce numéro 383EEL3002D), et le changement devra être indiqué sur la sécheuse.** Tout non-respect de ces instructions peut entraîner un incendie, une explosion, ou la mort.
- **Tous les raccords doivent être en conformité avec tous les codes et règlements locaux applicables.** Tout non-respect de ces instructions peut entraîner un incendie, une explosion, ou la mort.
- **L'air des sécheuses à gaz DOIT être évacué à l'extérieur.** Tout non-respect de ces instructions peut entraîner un incendie, une explosion, ou la mort.

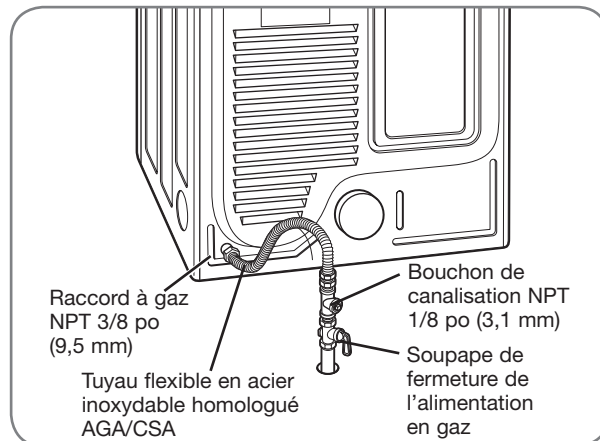
Raccordement de l'alimentation en gaz

- 1 Assurez-vous que l'alimentation en gaz vers la salle de lavage soit bien **COUPÉE**. Confirmez que le type de gaz acheminé vers votre salle de lavage soit adéquat pour la sécheuse. L'appareil est prêt à fonctionner au gaz naturel avec un raccord NPT de 3/8-po (9,5 mm).
- 2 Retirez le capuchon d'expédition du raccord de gaz au dos de la sécheuse. Soyez prudent et n'endommagez pas le filetage du raccord de gaz lors du retrait du capuchon.
- 3 Raccordez la sécheuse au système d'alimentation en gaz de la salle de lavage avec un nouveau tuyau flexible en acier inoxydable avec raccord NPT de 3/8-po (9,5 mm) de diamètre.
- 4 Serrez solidement tous les raccords entre la sécheuse et le système d'alimentation en gaz de la salle de lavage. Ouvrez l'alimentation en gaz de la salle et vérifiez tous les raccords de la tuyauterie (autant internes qu'externes) pour toute trace de fuite de gaz avec un liquide de détection de fuites à l'épreuve de la corrosion.

Branchement électrique



Branchez la sécheuse dans une prise triphasée mise à la terre de **120 volts de c.a. à 60 Hz**.



Installations en haute altitude

Le BTU nominal de cette sécheuse est homologué AGA pour une altitude sous les 10 000 pieds (3 048 mètres).

Dans le cas d'une installation de votre sécheuse à gaz à une altitude de plus de 10 000 pi (3 048 m), sa capacité doit être réduite par un technicien qualifié ou le fournisseur de gaz.

INSTRUCTIONS D'INSTALLATION

RACCORDEMENT DES SÈCHEUSES ÉLECTRIQUES

⚠AVERTISSEMENT : Pour aider à empêcher des incendies, des électrocutions, des blessures graves, ou des décès, le câblage et la mise à la terre doivent se conformer à l'édition la plus récente du Code national de l'électricité, ANSI/NFPA 70 et à tous les règlements locaux en vigueur. Veuillez faire vérifier par un technicien qualifié que votre maison a une alimentation électrique suffisamment puissante pour faire fonctionner une sècheuse.

Exigences électriques exigés uniquement pour les modèles électriques

⚠AVERTISSEMENT : Afin de réduire les risques d'incendie, de choc électrique, ou les blessures corporelles lorsque vous utilisez cet électroménager, vous devez toujours suivre les précautions de base, y compris ce qui suit :

- Cette sècheuse doit être reliée à un réseau de câblage métallique permanent mis à la terre ou un conducteur de terre pour appareil doit passer avec les conducteurs du circuit et être relié à la borne ou au fil de terre sur la sècheuse. Tout non-respect de ces instructions peut entraîner un incendie, une explosion, ou la mort.
- La sècheuse comporte son propre bloc de jonction qui doit être relié à un circuit monophasé distinct de 240 volts à 60 Hz muni d'un fusible de 30 ampères (le circuit doit comporter des fusibles des deux côtés du fil). **L'ALIMENTATION ÉLECTRIQUE DEVRAIT ÊTRE À LA TENSION NOMINALE MAXIMALE INDICÉE SUR LA PLAQUE SIGNALÉTIQUE DE LA SÈCHEUSE. NE LA RELIEZ PAS À UN CIRCUIT DE 110, 115, OU 120 VOLTS.** Tout non-respect de ces instructions peut entraîner un incendie, une explosion, ou la mort.
- Si le circuit de dérivation vers la sècheuse est de 15 pi (4,5 m) ou moins de longueur, utilisez un fil n° 10 AWG (uniquement en cuivre) homologué UL (Underwriters Laboratories) conformes aux exigences des codes locaux. Si la longueur est de plus de 15 pi (4,50 m), utilisez un fil n° 8 AWG (uniquement en cuivre) homologué UL (Underwriters Laboratories) ou conformes aux exigences des codes locaux. Laissez suffisamment de jeu pour permettre de déplacer la sècheuse au besoin. Tout non-respect de ces instructions peut entraîner un incendie, une explosion, ou la mort.
- La queue de cochon pour la connexion du cordon d'alimentation entre le réceptacle mural et le bloc de jonction de la sècheuse **N'EST PAS** fournie avec l'appareil. Le type de queue de cochon et le calibre du fil doivent être conformes aux codes locaux et avec les directives des pages suivantes. Tout non-respect de ces instructions peut entraîner un incendie, une explosion, ou la mort.
- Une connexion à 4 fils est exigée pour toutes installations dans les maisons mobiles ou préfabriquées de même que pour toutes nouvelles constructions après le 1^{er} janvier 1996. De plus, une connexion à 4 fils doit être utilisée dans les régions où les codes locaux interdisent la mise à la terre par un fil neutre. Tout non-respect de ces instructions peut entraîner un incendie, une explosion, ou la mort.

⚠AVERTISSEMENT : Afin de réduire les risques d'incendie, de choc électrique, ou les blessures corporelles lorsque vous utilisez des électroménagers, vous devez toujours suivre les précautions de base, y compris ce qui suit :

- N'apportez aucune modification à la fiche et au câblage interne de la sècheuse.
- Si la fiche ne s'adapte pas à la prise murale, faites installer une prise adaptée par un électricien qualifié.
- la sècheuse doit être connectée à une prise à 4 pôles.

Exigences électriques particulières pour les maisons mobiles ou préfabriquées

⚠AVERTISSEMENT : Afin de réduire les risques d'incendie, de choc électrique, ou les blessures corporelles lorsque vous utilisez cet électroménager, vous devez toujours suivre les précautions de base, y compris ce qui suit :

- Toute installation dans une maison mobile ou préfabriquée doit être conforme au chapitre 24 de la CFR, paragraphes 32-80 des normes américaines en matières de sécurité et de constructions de maison préfabriquée ou à la norme canadienne CAN/CSA0Z240 MH ainsi qu'aux codes et règlements locaux.
- Une connexion à 4 fils est exigée pour toutes installations dans les maisons mobiles ou préfabriquées de même que pour toutes nouvelles constructions après le 1^{er} janvier 1996. Tout non-respect de ces instructions peut entraîner un incendie, une explosion, ou la mort.

INSTRUCTIONS D'INSTALLATION

EXIGENCES PARTICULIÈRES POUR LES MAISONS MOBILES OU PRÉFABRIQUÉES

Toute installation dans une maison mobile ou préfabriquée doit être conforme au chapitre 24 de la CFR, paragraphes 32-80 des normes américaines en matière de sécurité et de constructions de maison préfabriquée ou à la norme canadienne CAN/CSA02240 MH ainsi qu'aux codes et règlements locaux. En cas de doutes relatifs à la conformité de l'installation par rapport à ces normes, communiquez avec un professionnel en service et installation pour du soutien technique.

- Une sècheuse à gaz doit être définitivement fixée au plancher.
- La connexion électrique pour une sècheuse électrique doit comporter une connexion à 4 fils. Pour des renseignements plus détaillés en matière de connexions électriques, consultez la rubrique *Raccordement des sècheuses électriques*.
- Pour réduire le risque de combustion et d'incendie, la sècheuse doit être ventilée vers l'extérieur.
- NE ventilez PAS la sècheuse sous une maison mobile ou préfabriquée.
- Utilisez le panneau arrière, droit, gauche, ou inférieur pour ventiler une sècheuse électrique vers l'extérieur.
- Utilisez le panneau arrière gauche ou inférieur pour ventiler une sècheuse à gaz vers l'extérieur. Il est impossible de ventiler une sècheuse à gaz vers

l'extérieur par le panneau droit en raison de la présence du module du brûleur.

- Le conduit d'évacuation d'air de la sècheuse doit être solidement fixé à la structure de la maison mobile ou préfabriquée. Il doit être fabriqué d'une matière qui résistera aux flammes et à la combustion. Il est recommandé d'installer un conduit métallique rigide ou flexible.
- NE reliez PAS le conduit d'évacuation d'air à tout autre conduit, système de ventilation, cheminée, ou autre conduit d'évacuation d'air.
- Assurez-vous que la sècheuse dispose d'un accès adéquat à de l'air frais pour garantir un bon fonctionnement. L'ouverture pour l'apport d'air frais extérieur doit être d'au moins 25 po² (163 cm²).
- Il est important de maintenir un dégagement d'au moins 2 po (5 cm) de matières combustibles autour du conduit d'évacuation d'air lors de la ventilation de la sècheuse vers l'extérieur. De plus, la sècheuse doit comporter un dégagement de 1 po (2,5 cm) sur les côtés et au dos de la sècheuse.
- Souvenez-vous que les éléments du système de ventilation ne sont pas fournis avec la sècheuse. Veillez à vous procurer les pièces nécessaires pour une installation adéquate.

FRANÇAIS

VÉRIFICATION FINALE DE L'INSTALLATION

Une fois l'installation complète de la sècheuse dans sa position définitive, exécutez les essais suivants et l'évaluation de l'état du conduit d'évacuation sur la page suivante pour confirmer le fonctionnement correct de l'appareil.

Essai du module de chauffage de la sècheuse

MODÈLES À GAZ

Fermez la porte de la sècheuse, appuyez sur le bouton ON/OFF (mise en marche/arrêt) pour démarrer l'appareil réglé à un cycle de séchage à la chaleur. Au démarrage de la sècheuse, le dispositif d'allumage devrait enflammer le brûleur principal.

REMARQUE : Si de l'air est encore présent dans le tuyau d'alimentation en gaz, il est possible que l'allumeur s'éteigne avant que le brûleur principal ne s'enflamme. Dans ce cas, le dispositif d'allumage effectuera une seconde tentative après deux minutes.

MODÈLES ÉLECTRIQUES

Fermez la porte de la sècheuse, appuyez sur le bouton ON/OFF (mise en marche/arrêt) pour démarrer l'appareil réglé à un cycle de séchage à la chaleur. L'air évacué devrait être chaud après un fonctionnement de 3 minutes.

Vérification du débit d'air

Un fonctionnement effectif de la sècheuse exige un débit d'air adéquat. On peut mesurer l'efficacité du débit d'air en évaluant la pression statique à l'aide d'un manomètre. Placez un manomètre sur le conduit d'évacuation d'air à environ 2 pi (60,9 cm) de la sècheuse. La pression statique dans le conduit d'évacuation d'air ne devrait pas excéder les 0,6 po (1,5 cm). Vérifiez le fonctionnement de la sècheuse sans charge.

Vérification du niveau

Une fois la sècheuse installée dans sa position définitive, revérifiez la mise à niveau de la sècheuse. Assurez-vous que la sècheuse soit à niveau de l'avant vers l'arrière et d'un côté à l'autre et que les quatre pieds de nivellement sont fermement posés sur le plancher.

INSTRUCTIONS D'INSTALLATION

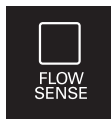
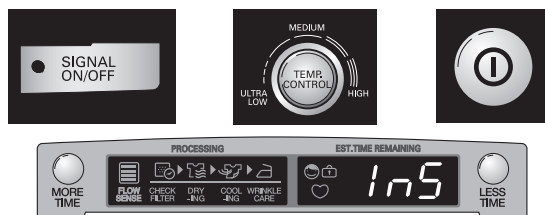
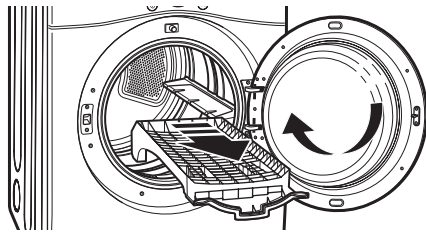
TEST D'INSTALLATION (Contrôle d'échappement)

Lorsque vous avez effectué l'installation du sèche-linge, utilisez ce test pour vous assurer que les conditions du système d'échappement sont adéquates à une opération correcte du sèche-linge. Ce test doit être réalisé pour vous signaler d'éventuels problèmes dans le système d'échappement de votre environnement domestique.

- Le sèche-linge présente la caractéristique FlowSense, un système de détection innovateur qui détecte automatiquement les blocages et les obstructions du conduit du sèche-linge. Retirer les accumulations de peluches et les obstructions du conduit permet aux vêtements de sécher plus rapidement et réduit la consommation d'énergie.

REMARQUE : Le sèche-linge doit être refroidi avant de commencer le test. Dans le cas où le sèche-linge a chauffé pendant l'installation, lancez un cycle Air Dry pendant quelques minutes pour réduire la température intérieure.

Pour activer le test d'installation :



PAS DE BARRES : OK



QUATRE BARRES : OBSTRUCTION

L'affichage de quatre barres indique que le système d'échappement est sévèrement obstrué. Faites immédiatement contrôler le système, car la performance sera faible.



1 Retirez la grille et les manuels, puis fermez la porte

Ne placez rien dans le tambour pendant le test car cela peut avoir une incidence sur la précision des résultats.

2 Maintenez les bouton SIGNAL ON/OFF et TEMP.CONTROL appuyés en même temps puis appuyez sur le bouton POWER.

Cette succession de boutons active le test d'installation. Le code **1n5** s'affiche lorsque l'activation est réussie.

3 Appuyez sur le bouton START/PAUSE.

Le sèche-linge va démarrer le test, qui durera environ deux minutes. La chaleur sera activée et les températures à l'intérieur du tambour seront mesurées.

4 Vérifiez les résultats qui s'affichent.

Au cours du cycle de test de deux minutes, vérifiez l'affichage FlowSense sur le panneau de contrôle. Si aucune barre ne s'affiche à la fin du cycle, le système d'échappement est correct. Dans le cas où le système d'échappement est sévèrement obstrué, l'affichage indique quatre barres. D'autres problèmes peuvent également être indiqués par des codes d'erreur. Référez-vous à la page suivante pour les détails des codes d'erreurs et les solutions.

5 FIN de Cycle.

A la fin du cycle de test, **End** s'affiche. Le cycle de test se termine et le sèche-linge s'éteint automatiquement après une courte période.

INSTRUCTIONS D'INSTALLATION

TEST D'INSTALLATION (Contrôle d'échappement)

- Vérifiez le code d'erreur avant de contacter le service après-vente

Code d'erreur	Cause éventuelles	Solutions
tE1 ou tE2	• Dysfonctionnement du thermostat	• Eteignez le sèche-linge et contactez le service après-vente.
HS	• Dysfonctionnement du détecteur d'humidité..	• Eteignez le sèche-linge et contactez le service après-vente
PS ou PF ou nP	<ul style="list-style-type: none"> • Le câble d'alimentation électrique du sèche-linge n'est pas connecté correctement, ou l'alimentation électrique est incorrecte. • Un fusible a sauté, le disjoncteur du circuit s'est déclenché ou il y a une panne de courant. 	<ul style="list-style-type: none"> • Vérifiez l'alimentation électrique ou la connexion du câble d'alimentation au bloc du terminal. Référez-vous à la section Connexion sèche-linge électrique du présent manuel pour des instructions complètes. • Réinitialisez le disjoncteur du circuit ou remplacez le fusible. Ne pas augmenter la puissance du fusible. Si le problème est une surcharge du circuit, faites-le réparer par un électricien qualifié.

• Vérifiez la condition du conduit

Si le test affiche quatre barres, vérifiez les obstructions et endommagements au système d'échappement. Réparez ou remplacez le système d'échappement si nécessaire.

REMARQUE : Ce test devrait être réalisé lors de l'installation de la sècheuse pour vous indiquer l'existence d'un problème quelconque au niveau du conduit d'évacuation de votre logement. Toutefois, puisque le test fournit des indications plus fidèles sur l'état du conduit d'évacuation lorsqu'il est réalisé dans des conditions normales d'utilisation que lors du test d'installation, il se peut que le nombre de barres affichées au cours des deux tests diffère.

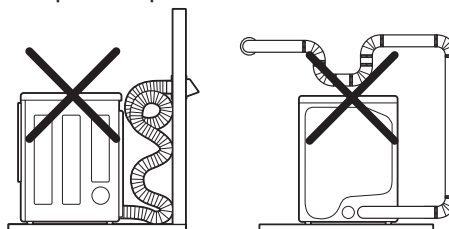
IMPORTANT : Ne pas interrompre le cycle de test, car cela peut avoir une incidence sur l'exactitude des résultats.

REMARQUE : Même si aucune barre ne s'affiche au cours du cycle de test, des obstructions peuvent être présentes dans le système d'échappement. Référez-vous à la section Ventilation du Sèche-linge du présent manuel pour les conditions relatives au système d'échappement et à la ventilation.

Circulation d'air bloquée



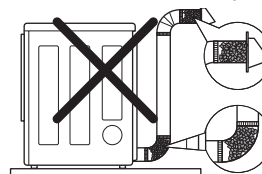
Éviter les longs tuyaux ou les tuyaux comportant plusieurs coudes.



Excès ou conduit de raccord obstrué

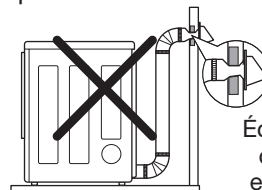
Trop d'espace ou échappement trop long

Vérifier l'existence de blocages et d'accumulation de charpie.



Accumulation de peluches ou blocages

S'assurer que le conduit d'évacuation n'est pas écrasé ou restreint.



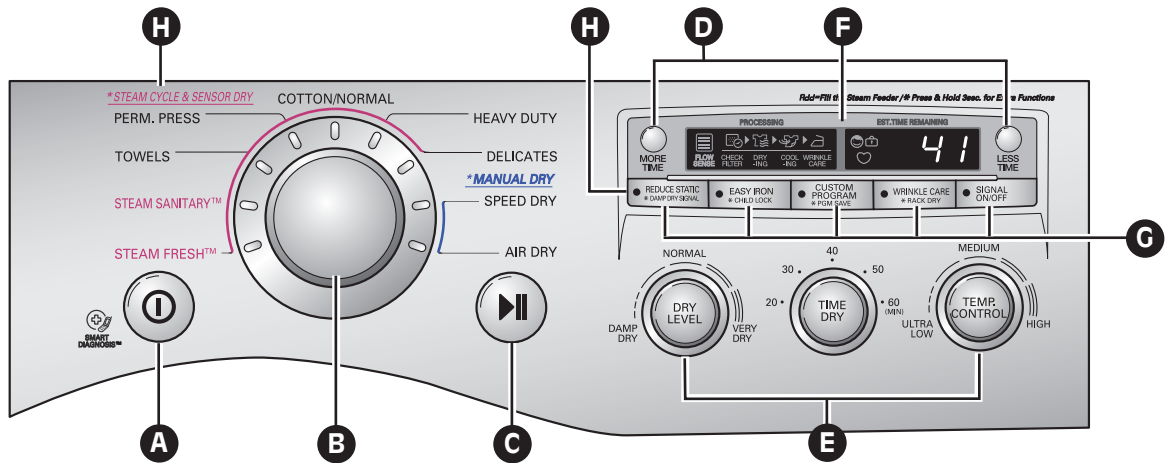
Échappement obstrué ou endommagé

MODE D'EMPLOI

CARACTÉRISTIQUES DU PANNEAU DE COMMANDE

Voici les instructions de mise en marche et d'utilisation de votre sècheuse. Veuillez consulter des sections particulières de ce manuel pour de plus amples informations.

▲ AVERTISSEMENT : Pour réduire le risque d'incendie, d'électrocution, ou de blessure, lisez tout le manuel, y compris les Instructions importantes de sécurité, avant de faire fonctionner cette sècheuse.



A BOUTON DE MISE EN MARCHÉ/ÉTEINT (ON/ OFF)

Appuyez pour mettre en MARCHÉ (ON) la sècheuse. Appuyez de nouveau pour ÉTEINT (OFF) la sècheuse.

REMARQUE : Appuyer sur le bouton de MARCHÉ/ÉTEINT (ON/OFF) durant un cycle annulera ce cycle et tous les autres réglages de brassée seront perdus.

B BOUTON SÉLECTEUR DE CYCLE

Tournez ce bouton pour sélectionner le cycle désiré. Une fois le cycle désiré sélectionné, les préréglages standard s'afficheront à l'afficheur. Pour les cycles SÉCHAGE MANUEL (MANUAL DRY), ces paramètres peuvent être réglés à l'aide des boutons de réglage du cycle avant de démarrer le cycle.

C BOUTON DE MISE EN MARCHÉ/PAUSE (START/PAUSE)

Appuyez sur ce bouton pour MARCHÉ (START) le cycle sélectionné. Si la sècheuse est en fonction, utilisez ce bouton pour faire une PAUSE dans le cycle sans perdre les paramètres actuels.

REMARQUE : Si vous n'appuyez pas de nouveau sur le bouton de pour poursuivre le cycle de séchage en moins de 4 minutes, la sècheuse se mettra automatiquement hors tension.

D BOUTONS TEMPS+/TEMPS- (MORE TIME/ LESS TIME)

Pour régler la durée de séchage, utilisez ces boutons avec les cycles SÉCHAGE MANUEL (MANUAL DRY), SÉCHAGE MINUTÉ (TIME DRY) et STEAM FRESH^{MC} ainsi qu'avec les options RÉDUIT L'ÉLECTRICITÉ STATIQUE (REDUCE STATIC) et REPASSAGE FACILE (EASY IRON). Appuyez sur le bouton TEMPS+ (MORE TIME) pour augmenter d'une minute le temps de séchage du cycle manuel et sur le bouton TEMPS- (LESS TIME), pour réduire le cycle par une minute.

E BOUTONS DE RÉGLAGE DU CYCLE

Utilisez ces boutons pour sélectionner les paramètres de cycle désirés pour le cycle que vous avez choisi. Les paramètres actuels sont illustrés à l'afficheur. Appuyez sur le bouton correspondant à cette option pour voir et sélectionner d'autres réglages.

F AFFICHEUR DE TEMPS ET D'ÉTAT

L'afficheur illustre les réglages, le temps restant estimé, les options et les messages d'état de votre sècheuse.

G BOUTONS D'OPTIONS

Les boutons d'options vous permettent de sélectionner des options de cycle supplémentaires. Certains boutons vous permettent également d'actionner des fonctions spéciales en appuyant et en maintenant enfoncé le bouton pendant 3 secondes.

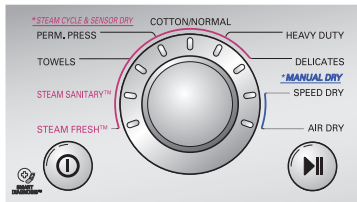
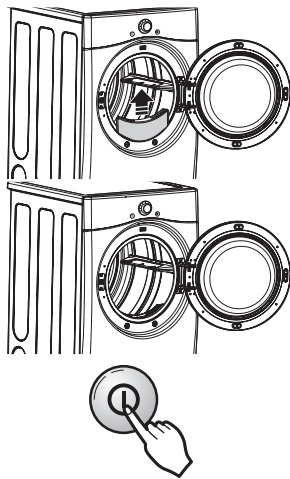
Pour des renseignements détaillés sur les options individuelles, consultez les pages suivantes.

H FONCTIONS DE VAPEUR PRATIQUES

La nouvelle technologie à vapeur de LG vous permet d'envoyer un jet de vapeur tourbillonnante dans les tissus dans le but de rafraîchir les vêtements, réduire l'électricité statique et faciliter le repassage. Sélectionnez simplement le cycle STEAM FRESH^{MC}. Vous pouvez également ajouter une option Vapeur aux cycles sélectionnés.

Pour des renseignements détaillés sur les options individuelles, consultez les pages suivantes.

FONCTIONNEMENT DE LA SÈCHEUSE



1 NETTOYER LE FILTRE A PELUCHES

Si le filtre à peluches n'a pas déjà été nettoyé, retirez-le et nettoyez les peluches de la charge précédente. Cela permettra d'assurer un séchage plus rapide et efficace.

2 CHARGER LE SECHE-LINGE

Chargez le sèche-linge avec du linge mouillé provenant de la machine à laver. Si la charge est très volumineuse, vous devrez peut-être la répartir en plusieurs charges plus petites afin d'obtenir un meilleur séchage et de prendre soin des vêtements.

3 METTRE LE SECHE-LINGE SOUS TENSION

Appuyez sur le bouton d'alimentation (POWER) pour mettre le sèche-linge sous tension. Les voyants des programmes s'allumeront et une sonnerie retentira, si celle-ci est activée. Reportez-vous à la page 23.

4 SELECTIONNER UN PROGRAMME

Tournez le bouton de sélection de programme – dans un sens ou dans l'autre – jusqu'à ce que le voyant du programme voulu soit activé. La température prééglée, le degré de séchage et les paramètres d'options de ce programme s'afficheront. Reportez-vous à la page 25.

5 SELECTIONNER LES MODIFICATEURS DE PROGRAMME

Les paramètres par défaut pour le programme sélectionné peuvent désormais être modifiés si vous le souhaitez. Cela peut être effectué à l'aide des boutons de modificateur de programme comme indiqué à la page 28 (température, degré de séchage, et sonnerie).

REMARQUE : Les options ou modificateurs ne sont pas tous disponibles pour tous les programmes. Un indicateur sonore différent retentira et le voyant ne s'allumera pas si la sélection n'est pas possible.

6 SELECTIONNER LES OPTIONS DE PROGRAMME

Des options de programme peuvent être ajoutées à l'aide des boutons d'options comme indiqué en pages 28-29 (VERROUILLAGE POUR ENFANTS, ANTIFROISSAGE, SÈCHAGE SUR PANIER et BIP SÈCHAGE HUMIDE).

REMARQUE : Les options ou modificateurs ne sont pas tous disponibles pour tous les programmes. Un indicateur sonore différent retentira et le voyant ne s'allumera pas si la sélection n'est pas possible.

7 COMMENCER LE PROGRAMME

Appuyez sur le bouton START/PAUSE (démarrer/pause) pour commencer le programme. Le programme peut être interrompu à tout moment, en ouvrant la porte ou en appuyant sur le bouton START/PAUSE (démarrer/pause). Si le programme n'est pas redémarré dans les 4 minutes qui suivent, le sèche-linge sera mis hors tension et les paramètres du programme seront perdus.

8 FIN DU PROGRAMME

Lorsque le programme est terminé, une sonnerie retentira si elle a été activée. Retirez immédiatement les vêtements afin de limiter les faux plis. Si Wrinkle care (antifroissage) est sélectionné, le tambour du sèche-linge fera quelques tours à quelques minutes d'intervalle pour éviter que les vêtements ne se froissent.

MODE D'EMPLOI

GUIDE DES CYCLES

Le guide des cycles ci-dessous illustre les options et les types de tissus recommandés pour chaque cycle.

Type	Cycle	Type de tissu	Niv. de séchage	Temp.	Temps en min.	Plus/Moins de temps	Anti-froissement	Bip séchage humide	Réduit l'élect. stat.	Repas-sage facile	
CYCLE VAPEUR / SÉCHAGE PAR CAPTEUR	STEAM FRESH^{MC}	Couette, Chemises, Pantalons (Excepté les tissus particulièrement délicats)	Éteint	MOYEN HAUT	20	●	●		●	●	
				Réglable							
	STEAM SANITARY^{MC}	Écharpes, literie, vêtements pour enfants	Éteint	HAUT	39		●				
	TOWELS (SERVIETTES)	Denims, serviettes, cotons lourds	Normal Réglable	MOYEN HAUT	55			●	●	●	●
	PERM. PRESS (APPRÊT PERM.)	Pressage permanent, tissus synthétiques	Normal	FAIBLE	32			●	●	●	●
			Réglable								
	COTTON/NORMAL (COTON/NORMAL)	Vêtements de travail, velours côtelé, etc.	Normal	MOYEN	41			●	●	●	●
Réglable											
HEAVY DUTY (GROSSE CHARGE)	Jeans, vêtements lourds	Normal	HAUT	54			●	●	●	●	
		Réglable									
DELICATES (DÉLICATS)	Lingerie, draps, blouses	Normal	FAIBLE	28			●	●	●	●	
		Réglable									
SÉCHAGE MANUEL	SPEED DRY (SÉCHAGE RAPIDE)	Petites brassées de courte durée	Éteint	HAUT	25	●	●		●	●	
				Réglable	Réglable						
	AIR DRY (SÉCHAGE À L'AIR)	Pour les vêtements qui doivent être séchés sans chaleur, tels les plastiques ou les caoutchoucs	Éteint	SANS CHALEUR	30	●	●				
			Réglable								

CYCLES SÉCHAGE À CAPTEUR (SENSOR DRY)

Les cycles Séchage à Capteur (Sensor Dry) utilisent le système exclusif à double capteur de LG qui détecte et compare le niveau d'humidité des vêtements et celui de l'air ambiant et règle le temps de séchage au besoin pour optimiser les résultats. La sècheuse règle automatiquement le niveau de séchage et la température aux paramètres recommandés pour chaque cycle. L'afficheur indiquera le temps restant estimé.

REMARQUE : Pour protéger vos vêtements, les différentes options de niveau de séchage, température, ou autres ne sont pas toutes disponibles avec chacun des cycles.

CYCLES SÉCHAGE MANUEL (MANUAL DRY)

Utilisez les cycles Séchage Manuel (Manual Dry) pour sélectionner un temps et une température de séchage. Lors de la sélection d'un cycle Manual Dry, l'afficheur TEMPS RESTANT ENVIRON (ESTIMATED TIME REMAINING) indique le temps réel restant pour votre cycle. Appuyez sur les boutons TEMPS+ (MORE TIME) or TEMPS- (LESS TIME) pour modifier le temps réel du cycle.

MODE D'EMPLOI

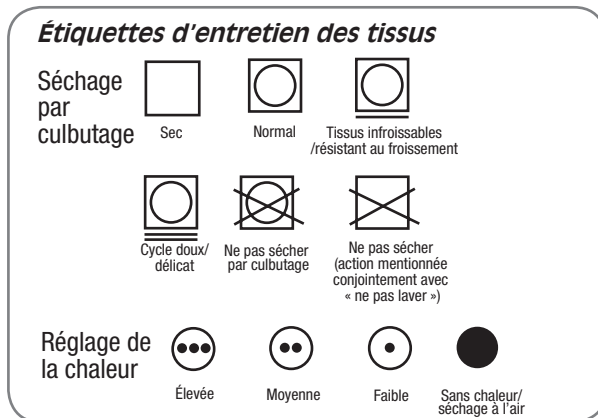
Voici les instructions de mise en marche et d'utilisation de votre nouvelle sècheuse. Veuillez consulter des sections particulières de ce manuel pour de plus amples informations.

⚠ AVERTISSEMENT : Pour réduire le risque d'incendie, d'électrocution, ou de blessure, lisez tout le manuel, y compris les Instructions importantes de sécurité, avant de faire fonctionner cette sècheuse.

TRIAGE DES BRASSÉES

Étiquettes d'entretien des tissus

La plupart des vêtements possèdent des étiquettes d'entretien des tissus qui affichent les directives pour un soin approprié.



Grouper les articles similaires

Pour de meilleurs résultats, triez les vêtements pour en faire des brassées qui peuvent être séchés au même cycle de séchage.

Différents tissus exigent des soins particuliers et certains d'entre eux séchent plus rapidement que d'autres.

CHARGEMENT DE LA SÈCHEUSE

⚠ AVERTISSEMENT : Afin de réduire les risques d'incendie, de choc électrique, ou les blessures corporelles lorsque vous utilisez cet électroménager, vous devez toujours suivre les précautions de base, y compris ce qui suit :

- Vérifiez toutes les poches pour vous assurer qu'elles sont vides. Des articles comme des trombones, des stylos, de la monnaie, et des clés peuvent endommager votre sècheuse et vos vêtements. Des objets inflammables comme des briquets ou des allumettes risqueraient de s'enflammer et de provoquer un incendie. Tout non-respect de ces instructions peut entraîner un incendie, une explosion, ou la mort.
- Ne séchez jamais des vêtements qui ont été exposés à de l'huile, de l'essence, ou d'autres substances inflammables. Le lavage des vêtements n'enlèvera pas complètement les résidus d'huile. Tout non-respect de cet avertissement peut entraîner des blessures graves, un incendie, l'électrocution, ou la mort.

Conseils de chargement

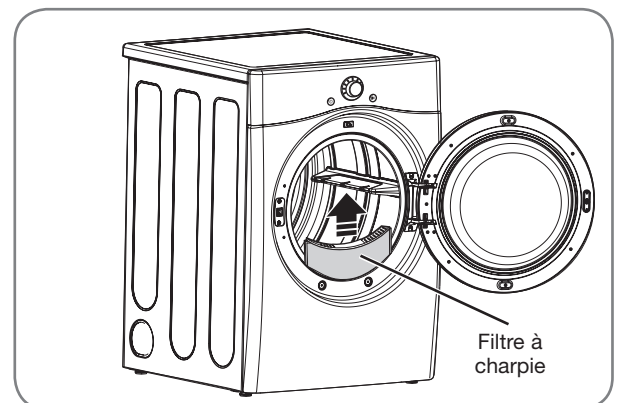
- Combinez les articles grands et petits dans une brassée.
- Les vêtements mouillés prennent du volume au séchage. Ne surchargez pas la sècheuse. Les vêtements ont besoin d'espace pour culbuter et sécher correctement.
- Fermez les fermetures-éclair, les crochets, et les cordons pour les empêcher de s'accrocher ou de s'emmêler aux autres vêtements.

VÉRIFICATION DU FILTRE À CHARPIE AVANT TOUT LA BRASSÉE

Assurez-vous que le filtre à charpie est toujours propre avant de sécher une nouvelle brassée. En effet, un filtre obstrué par de la charpie augmentera le temps de séchage.

Pour le nettoyer, tirez droit vers le haut sur le filtre et faites une boule de charpie avec vos doigts. Ne rincez pas ni lavez le filtre pour retirer la charpie. Poussez fermement sur le filtre à charpie pour le remettre en place. Voyez la section NETTOYAGE RÉGULIER pour plus de détails.

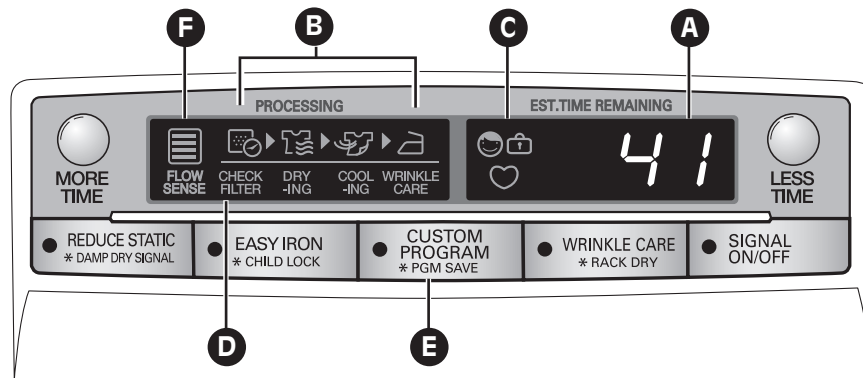
Assurez-vous que le filtre à charpie soit toujours correctement installé avant de démarrer la sècheuse. Un fonctionnement de la sècheuse avec un filtre lâche ou manquant risquerait d'endommager la sècheuse et les articles dans la sècheuse.



MODE D'EMPLOI

AFFICHEUR

L'afficheur ACL illustre les réglages, le temps restant estimé, les options et les messages d'état de votre sècheuse. Lorsque la sècheuse est en marche, l'afficheur s'illuminera.



A TEMPS RESTANT ENVIRON (ESTIMATED TIME REMAINING)

Lorsque le bouton MARCHE/PAUSE (START/PAUSE) est enfoncé, la sècheuse affichera le temps estimé (SÉCHAGE À CAPTEUR) ou le temps réglé (SÉCHAGE MINUTÉ) restant et débutera le culbutage.

REMARQUE : Le temps des cycles SÉCHAGE À CAPTEUR (SENSOR DRY) pourrait varier. En effet, la sècheuse recalcule le temps de séchage restant pour optimiser les résultats.

B INDICATEUR DE CYCLE TERMINÉ

Illustre la portion du cycle de séchage actuellement en train d'être terminée VÉRIFICATION DU FILTRE À CHARPIE (CHECK FILTER), SÉCHAGE (DRYING), REFROIDISSAGE (COOLING), ANTIFROISSAGE (WRINKLE CARE).

C INDICATEUR DE VERROUILLAGE POUR ENFANTS (CHILD LOCK)

Lorsque le VERROUILLAGE POUR ENFANTS (CHILD LOCK) est active, l'indicateur de Child Lock apparaîtra et tous les boutons seront désactivés à l'exception du bouton MARCHE/ÉTEINT (ON/OFF). Cela empêchera un enfant de modifier les réglages alors que la sècheuse est en fonction.

D RAPPEL CHECK FILTER (VÉRIFICATION DU FILTRE À CHARPIE)

L'afficheur indiquera CHECK FILTER (vérification du filtre à charpie) lors de la mise en marche de la sècheuse pour vous rappeler de vérifier le filtre à charpie. Le message s'éteint dès que le bouton de MISE EN MARCHE/ARRÊT est enfoncé.

E PROGRAMA PERSONALIZADO (CUSTOM PROGRAM)

Si usted tiene una combinación especial de configuraciones que utiliza con frecuencia, puede guardarlas como CUSTOM PROGRAM.

F VOYANT DU SYSTÈME DE DÉTECTION DES BLOCAGES DANS LE CONDUIT D'ÉVACUATION FLOW SENSE™

Le système de détection des blocages dans le conduit d'évacuation FLOW SENSE™ détecte et indique les blocages dans le conduit d'évacuation qui réduisent le flux d'air dans le conduit de la sècheuse. Il permet d'améliorer l'efficacité de fonctionnement et de réduire le nombre d'interventions de dépannage, vous réalisez ainsi des économies.

BOUTONS DE RÉGLAGE DES CYCLES

Les cycles SÉCHAGE À CAPTEUR (SENSOR DRY) possèdent des réglages préprogrammes qui se sélectionnent automatiquement et ne peuvent être modifiés. Les cycles MANUAL DRY comportent des paramètres par défaut mais vous pouvez également personnaliser les paramètres à l'aide des boutons de réglage du cycle. Appuyez sur le bouton correspondant à cette option pour voir et sélectionner d'autres paramètres.

REMARQUE : Pour protéger vos vêtements, les différentes options de niveau de séchage, température, ou autres ne sont pas toutes disponibles avec chacun des cycles.

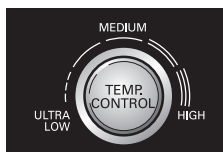
NIVEAU DE SÉCHAGE (DRY LEVEL)



Sélectionnez le niveau de séchage du cycle. Appuyez sur le bouton NIVEAU DE SÉCHAGE (DRY LEVEL) à répétition pour défiler à travers les paramètres disponibles.

- Cette option est offerte uniquement avec les cycles SÉCHAGE À CAPTEUR (SENSOR DRY).
- La sècheuse ajustera automatiquement le temps du cycle. La sélection de l'option PLUS SEC (MORE DRY) ou TRÈS SEC (VERY DRY) augmentera le temps du cycle alors que HUMIDE SEC (DAMP DRY) ou MOINS SEC (LESS DRY) le diminuera.
- Utilisez le paramètre HUMIDE SEC (DAMP DRY) ou MOINS SEC (LESS DRY) pour les articles que vous désirez repasser.

CONTRÔLE DE TEMPÉRATURE (TEMP. CONTROL)



Ce bouton règle le paramètre de température de TRÈS FAIBLE (ULTRA LOW) à HAUT (HIGH). Ce réglage permet un entretien précis de vos tissus et vêtements. Appuyez sur

le bouton CONTRÔLE DE TEMPÉRATURE (TEMP. CONTROL) à répétition pour défiler à travers les paramètres disponibles.

SÉCHAGE MINUTÉ (TIME DRY)



Ce bouton vous permet de sélectionner manuellement le temps de séchage de 20 à 60 minutes par incréments de 10 minutes. Utilisez cette fonction pour les petites brassées

ou pour defroisser. Utilisez les boutons TEMPS+/TEMPS- (MORE TIME/LESS TIME) pour augmenter ou réduire le temps de séchage par incréments de u.

Votre sècheuse vous offre plusieurs options de cycle supplémentaires pour personnaliser les cycles et ainsi satisfaire vos besoins individuels. Certains boutons d'options comportent également une fonction spéciale (consultez la page suivante pour les détails) qui peut être actionnée en appuyant et en maintenant ce bouton d'option pendant 3 secondes.

Pour ajouter des options de cycles à un cycle :

- 1 Mettez en marche la sècheuse et tournez le bouton sélecteur de cycle au cycle désiré.
- 2 Utilisez les boutons de réglage de cycle pour ajuster les paramètres de ce cycle.
- 3 Appuyez sur le ou les boutons d'options de cycles afin de sélectionner les paramètres que vous aimeriez ajouter. L'afficheur montrera un message de confirmation.
- 4 Appuyez sur le bouton MARCHÉ/PAUSE (START/PAUSE) pour démarrer le cycle. La sècheuse démarrera automatiquement.

ANTIFROISSAGE (WRINKLE CARE)



Avec cette option, la sècheuse culbutera la brassée régulièrement sur une période de jusqu'à 3 heures après la fin d'un cycle ou jusqu'à l'ouverture de la porte. C'est une fonction pratique qui aide à prévenir la formation de plis lorsque vous êtes dans l'impossibilité de retirer immédiatement les articles de la sècheuse

SONNERIE ACTIVÉE/DESACTIVÉE (SIGNAL ON/OFF)



Pour désactiver la sonnerie, appuyez le bouton. Pour activer encore la sonnerie, appuyez le bouton encore.

MODE D'EMPLOI

FONCTIONS SPÉCIALES

Les boutons d'options activent également des fonctions spéciales comme VERROUILLAGE POUR ENFANTS (CHILD LOCK), SÉCHAGE SUR PANIER (RACK DRY), BIP SÉCHAGE HUMIDE (DAMP DRY SIGNAL). Appuyez et maintenez enfoncé le bouton d'option marqué de la fonction spéciale pendant 3 secondes pour l'actionner.

* SÉCHAGE SUR PANIER (RACK DRY)

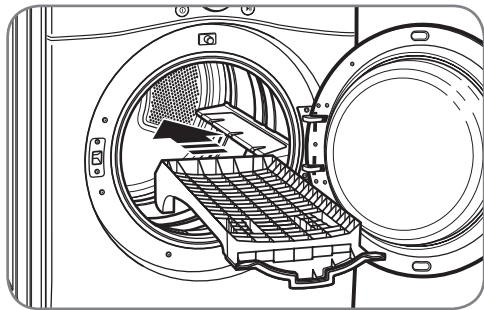


Utilisez la fonction SÉCHAGE SUR PANIER (RACK DRY) avec des articles comme les gilets en laine, la soie, et la lingerie, qui doivent sécher à plat. Utilisez également le RACK DRY pour des articles qui ne doivent pas être culbutés comme des chaussures de tennis ou des animaux en peluche. Appuyez et maintenez enfoncé le bouton WRINKLE CARE (Antifroissage) pendant 3 secondes pour actionner ou désactiver la fonction RACK DRY (séchage sur panier).

REMARQUE : N'utilisez JAMAIS la grille avec un cycle de séchage par culbutage.

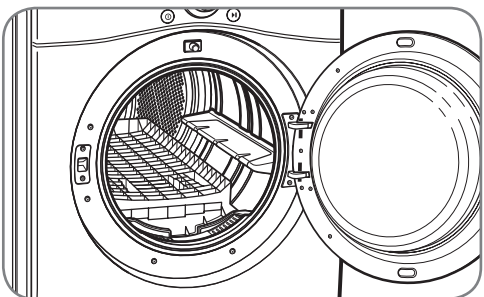
Installation de la grille de séchage

- 1 Ouvrez la porte de la sècheuse et glissez la grille dans le tambour de la sècheuse.



- 2 Assurez-vous que la grille est appuyée uniformément sur le bord de la jante interne de la porte et repose à plat à l'intérieur de la sècheuse.

REMARQUE : Assurez-vous de retirer la grille une fois le cycle SÉCHAGE SUR PANIER (RACK DRY) complet.



* VERROUILLAGE POUR ENFANTS (CHILD LOCK)



Utilisez cette option pour empêcher une utilisation non désirée de la sècheuse ou pour empêcher toute modification des paramètres de cycle lorsque la sècheuse est en fonction. Appuyez et maintenez enfoncé le bouton REPASSAGE FACILE (EASY IRON) pendant 3 secondes pour actionner ou désactiver la fonction CHILD LOCK.

Lorsque le VERROUILLAGE POUR ENFANTS (CHILD LOCK) est active, l'indicateur de Child Lock apparaîtra et tous les boutons seront désactivés à l'exception du bouton POWER (Marche/Arrêt).

REMARQUE: Terminer le VERROUILLAGE POUR ENFANTS après la fin du cycle. Si vous souhaitez désactiver cette fonction, appuyez et maintenez le bouton pendant 3 secondes.

* BIP SÉCHAGE HUMIDE (DAMP DRY SIGNAL)



Avec cette option, la sècheuse émettra une alarme sonore lorsque la brassée sera environ 80% sèche. Elle vous permet de retirer les articles légers qui séchent plus rapidement ou les articles que vous désirez repasser ou suspendre encore un peu humide.

AUTRES FONCTIONS

* PROGRAMME SPÉCIAL (CUSTOM PROGRAM)



Si vous utilisez une combinaison particulière de paramètres que vous utilisez fréquemment, il est possible de les sauvegarder en tant que PROGRAMME SPÉCIAL (CUSTOM PROGRAM).

* Sauvegarde d'un Programme Spécial

- 1 Mettez en marche la sècheuse et tournez le bouton sélecteur de cycle au cycle désiré.
- 2 Utilisez les boutons de réglage de cycle pour ajuster les paramètres de ce cycle.
- 3 Appuyez sur le ou les boutons d'options de cycles afin de sélectionner les paramètres que vous aimeriez ajouter. L'afficheur montrera un message de confirmation.
- 4 Appuyez et gardez enfoncé le bouton PROGRAMME SPÉCIAL (CUSTOM PROGRAM) à nouveau pendant 3 secondes.

REMARQUE : Il n'est possible de sauvegarder qu'un programme personnalisé. Tout autre programme préalablement sauvegardé sera effacé dès que vous appuyez et gardez enfoncé le bouton PROGRAMME SPÉCIAL (CUSTOM PROGRAM).

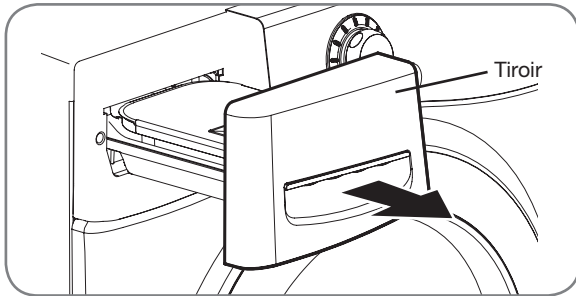
Rappel d'un Programme Spécial :

- 1 Mettez la sècheuse en marche.
- 2 Enfoncez le bouton PROGRAMME SPÉCIAL (CUSTOM PROGRAM).
- 3 Appuyez sur le bouton MARCHÉ/PAUSE (START/PAUSE) pour démarrer le cycle.

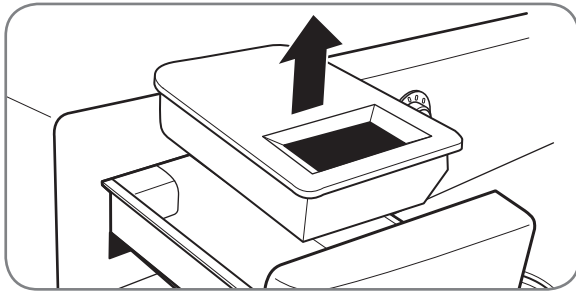
FONCTIONS DE VAPEUR

Remplissage de l'alimentation de vapeur

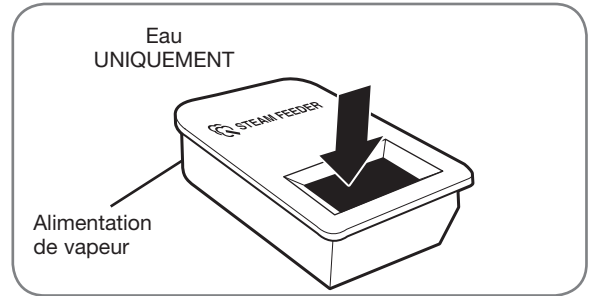
- 1 Sortez le tiroir.



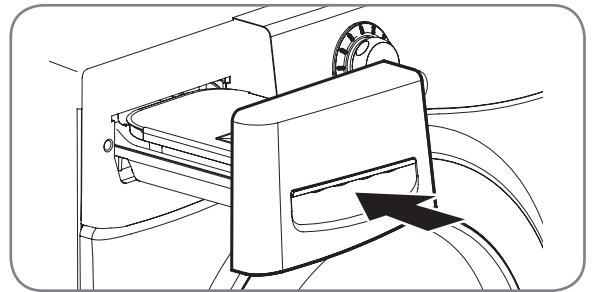
- 2 Sortez l'alimentation de vapeur de son compartiment.



- 3 Remplissez le dispositif d'alimentation en vapeur jusqu'à la crépine.



- 4 Remettez l'alimentation de vapeur dans le compartiment, puis faites glisser le tiroir jusqu'au déclic indiquant un positionnement correct.



IMPORTANTES REMARQUES SUR LES CYCLES VAPEUR :



Avant utilisation d'un cycle Vapeur, l'alimentation de vapeur doit être remplie d'eau jusqu'à la ligne MAX. Dans le cas contraire, Le voyant *Add* est allumé. Assurez vous que l'alimentation de vapeur est pleine d'eau et le tiroir est complètement fermé. Eteignez la sècheuse et redemarrez le cycle de vapeur.

- Utilisez uniquement de l'eau. Ne remplissez pas l'alimentation de vapeur avec des substances étrangères, des agents de rinçage ou des détergents.
- Le générateur de vapeur doit être installé; dans le cas contraire, il y aura débordement d'eau.
- Essuyer tout éclaboussement d'eau autour du générateur de vapeur et du tiroir avant de démarrer la sècheuse.
- N'utilisez pas d'eau distillée; la sonde de niveau d'eau dans le générateur de vapeur ne fonctionnera pas.

⚠ AVERTISSEMENT :

- Ne remplissez pas l'alimentation vapeur avec des liquides tels que de l'essence, des solvants de nettoyage à sec ou d'autres substances inflammables ou explosives. Ces substances peuvent produire des vapeurs potentiellement explosives.
- Ne remplissez pas l'alimentation de vapeur avec de l'eau chaude (au-dessus de 86° F/ 30° C).
- Ne buvez pas l'eau de l'alimentation de vapeur.

MODE D'EMPLOI

FONCTIONS DE VAPEUR (suite)

La nouvelle technologie à vapeur de LG vous permet d'envoyer un jet de vapeur tourbillonnant dans les tissus dans le but de rafraîchir les vêtements, réduire l'électricité statique et faciliter le repassage. Sélectionnez simplement le cycle RAFFRAICHISSEMENT^{MC} (STEAM FRESH^{MC}). Vous pouvez également ajouter une option Vapeur aux cycles sélectionnés.

Le Cycle STEAM FRESH^{MC}

- Les options RÉDUIT L'ÉLECTRICITÉ STATIQUE (REDUCE STATIC) ou REPASSAGE FACILE (EASY IRON) peuvent également être utilisées pendant le cycle STEAM FRESH^{MC}.
- En fonction de la charge (nombre d'articles), la durée du cycle peut être modifiée en appuyant sur les touches TEMPS+ (MORE TIME) ou TEMPS- (LESS TIME). L'écran affichera 3, 5 ou CHARGE b1 9. 3 pour 3 articles ou moins, 5 pour 4 ou 5 articles et b1 9 pour une grosse charge telle qu'une couette par exemple.

Utilisation du Cycle STEAM FRESH^{MC} :

- 1 Allumez la sécheuse et faites pivoter le bouton de sélection de cycle pour sélectionner le cycle STEAM FRESH^{MC}.
- 2 Pour ajouter une option, sélectionnez REDUCE STATIC, EASY IRON, ou ANTIFROISSAGE (WRINKLE CARE).
- 3 En fonction de la charge (nombre d'articles), la durée d'injection de vapeur peut être modifiée en appuyant sur les touches TEMPS+ ou TEMPS- (MORE TIME ou LESS TIME).
- 4 Appuyez sur la touche MARCHE/PAUSE (START/PAUSE) pour démarrer le cycle.

Ajout de VAPEUR à un Cycle Standard :

- 1 Allumez la sécheuse et faites pivoter le bouton de sélection de cycle pour sélectionner le cycle désiré.
- 2 Utilisez les touches de réglages des cycles pour sélectionner les réglages.
- 3 Appuyez sur la touche Option Vapeur pour ajouter l'option Vapeur désirée. Puis réglez la taille de la charge en utilisant les touches TEMPS+ ou TEMPS- (MORE TIME ou LESS TIME).
- 4 Appuyez sur la touche MARCHE/PAUSE (START/PAUSE) pour démarrer le cycle.

Utilisation des Options Vapeur :



Cette option injecte de la vapeur tardivement dans le cycle de séchage pour réduire l'électricité statique causée par les tissus frottant les uns contre les autres. Modifiez la durée du cycle en appuyant sur les touches TEMPS+ ou TEMPS- (MORE TIME ou LESS TIME) en fonction de la charge (nombre d'articles). L'écran affichera le nombre recommandé d'articles (7, 9, 11, 14, 16, ou 18).



L'option REPASSAGE FACILE (EASY IRON) humidifie uniformément les tissus pour un gain de temps et un repassage facilité. Modifiez la durée du cycle en appuyant sur les touches TEMPS+ (MORE TIME) ou TEMPS- (LESS TIME) en fonction de la charge (nombre d'articles). L'écran affichera le nombre recommandé d'articles (1, 2, 3, 4 ou 5).

REMARQUES :

- Lorsque le cycle SÉCHAGE À CAPTEUR (SENSOR DRY) est sélectionné avec l'option REDUCE STATIC, un NIVEAU DE SÉCHAGE (DRY LEVEL) de MOINS (LESS) ou HUMIDE (DAMP) ne peut être sélectionné.
- Les options REDUCE STATIC ou EASY IRON peuvent également être utilisées pendant les cycles SÉCHAGE MINUTÉ (TIME DRY).
- Après sélection de l'option Vapeur en TIME DRY, les touches MORE TIME ou LESS TIME modifieront UNIQUEMENT la durée d'injection de vapeur.
- Après avoir appuyé sur les touches MARCHE/PAUSE (START/PAUSE), les touches MORE TIME ou LESS TIME seront désactivées.

Utilisation du cycle STEAM SANITARY^{MC}

Le nouveau cycle est STEAM SANITARY^{MC} idéal pour aseptiser rapidement et facilement les articles non lavables, en utilisant uniquement la puissance de la vapeur.

Ce cycle est recommandé pour les cotons et polyester.
(Ne PAS utiliser pour la mousse uréthane, les plumes de duvet ou les articles délicats).

MODE D'EMPLOI

FONCTIONS DE VAPEUR (suite)

⚠️ AVERTISSEMENT :

- Ne pas ouvrir la porte de la sècheuse pendant les Cycles Vapeur. La vapeur peut occasionner de graves brûlures.
- Ne pas remplir l'alimentation vapeur avec de l'essence, des solvants de nettoyage à sec ou d'autres substances inflammables ou explosives. Ces substances peuvent produire des vapeurs potentiellement explosives.
- Ne pas boire l'eau de l'alimentation vapeur.
- Ne pas remplir l'alimentation de vapeur avec de l'eau chaude (au-dessus de 86° F/ 30° C).
- Ne pas toucher l'injecteur de vapeur dans le tambour pendant ou à la fin du Cycle Vapeur.

IMPORTANTES REMARQUES SUR LES CYCLES VAPEUR :

- La vapeur n'est pas visible pendant les Cycles Vapeur. C'est normal.
- Ne pas utiliser STEAM FRESH^{MC} sur les articles suivants : les lainages, les couvertures, les vestes en cuir, la soie, les vêtements humides, les produits en mousse ou les couvertures chauffantes.
- Pour de meilleurs résultats, ne remplir la sècheuse qu'avec des vêtements de tailles équivalentes ou des types de textiles similaires. Ne pas surcharger.
- Si le filtre à charpie ou le conduit d'évacuation sont bouchés, les résultats des options VAPEUR ne seront pas satisfaisants.
- Lorsque l'option Vapeur est en fonctionnement, le tambour arrêtera de tourner pour y maintenir la vapeur.
- L'alimentation vapeur doit être remplie d'eau jusqu'à la ligne MAX. Dans le cas contraire, un message d'erreur s'affichera.

GUIDE DES CYCLES VAPEUR

	VAPEUR	DUREE PAR DEFAUT	CONTROLE TEMPERATURE	NIVEAU DE SECHAGE	ETAT DES TEXTILES	TYPE DE TEXTILE	QUANTITE MAXIMALE
STEAM SANITARY ^{MC}		STEAM SANITARY ^{MC} (39 minutes)			Sec	Écharpes Literie	Unique (1 de chaque)
						Vêtements pour enfants	3 lbs.
STEAM FRESH ^{MC}		STEAM FRESH ^{MC} (20 minutes)	●		Sec	Écharpes	Unique (1 de chaque)
	+ RÉDUIT L'ELECTRICITE STATIQUE	STEAM FRESH ^{MC} (10 minutes)			Sec	Chemises	5 de chaque
	+ REPASSAGE FACILE	STEAM FRESH ^{MC} (12 minutes)			Sec	Chemises	Chemises (5 de chaque)
OPTION VAPEUR	+ RÉDUIT L'ELECTRICITE STATIQUE	SUIVRE LES INSTRUCTIONS DU CYCLE SÉLECTIONNÉ		●	Mouillé	Varie par cycle sélectionné	8 lbs. (18 ARTICLES)
	+ REPASSAGE FACILE			●	Mouillé	Varie par cycle sélectionné	Chemises (5 de chaque)
SÉCHAGE MINUTÉ	+ RÉDUIT L'ELECTRICITE STATIQUE	SÉCHANG MINUTÉ (45 minutes)	●		Mouillé	Varie par cycle sélectionné	8 lbs. (18 ARTICLES)
	+ REPASSAGE FACILE	SÉCHANG MINUTÉ (47 minutes)	●		Mouillé	Varie par cycle sélectionné	Chemises (5 de chaque)

- Chemise : mélange 70% coton/30% polyester.
- Si le filtre à charpie ou le conduit d'évacuation sont bouchés, les résultats des options VAPEUR ne seront pas satisfaisants.
- Pour de meilleurs résultats, ne remplir la sècheuse qu'avec des vêtements de tailles équivalentes ou des types de textiles similaires. Ne pas surcharger.

DÉPANNAGE

NETTOYAGE RÉGULIER

⚠️ AVERTISSEMENT : Afin de réduire les risques d'incendie, de choc électrique, ou les blessures corporelles lorsque vous utilisez des électroménagers, vous devez toujours suivre les précautions de base, y compris ce qui suit :

- **Débranchez votre sècheuse avant de la nettoyer pour éviter le risque d'électrocution.** Tout non-respect de ces instructions peut entraîner des blessures, un incendie, une électrocution, ou la mort.
- **N'utilisez jamais de produits chimiques puissants, de nettoyeurs abrasifs, ou de dissolvants pour nettoyer votre sècheuse.** Ils endommageront sa surface.

Nettoyage de l'extérieur

Un entretien adéquat de votre sècheuse peut prolonger sa durée de vie utile. L'extérieur de la machine peut être nettoyé à l'eau chaude, avec un détergent ménager doux et non abrasif.

Essuyez immédiatement tout déversement à l'aide d'un chiffon doux et humide.

IMPORTANT : N'utilisez jamais d'alcool méthylique, de solvant, ou de produits similaires.

N'utilisez jamais de laine d'acier ou de nettoyeurs abrasifs ; ils pourraient endommager la surface.

Nettoyage de l'intérieur

Essuyez autour de l'ouverture et du joint de la porte avec un chiffon doux et humide pour prévenir l'accumulation de charpie et de poussières qui pourraient endommager le joint de porte.

Nettoyez le hublot avec un chiffon doux humidifié avec de l'eau chaude et un détergent ménager doux et non abrasif puis essuyez pour sécher.

Il est possible de nettoyer le tambour en acier inoxydable avec un nettoyeur pour acier inoxydable traditionnel conformément aux directives du fabricant. N'utilisez jamais de laine d'acier ou de nettoyeurs abrasifs ; ils pourraient égratigner ou endommager la surface.

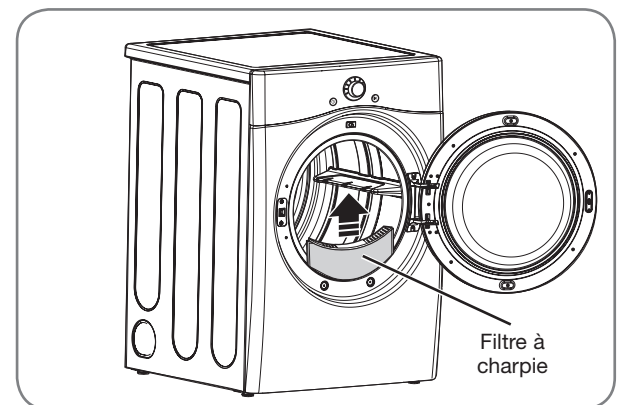
Nettoyage autour et sous la sècheuse

Aspirez régulièrement la charpie et la poussière autour et sous la sècheuse. Au moins une fois par année, vérifiez le système de conduits, contrôlez pour toute accumulation de charpie et nettoyez-les. Si vous remarquez une réduction du débit d'air ou une chute du rendement de la sècheuse, vérifiez immédiatement le système de conduits pour toute obstruction et blocage.

Entretien du système de conduits

Au moins une fois par année, vérifiez le système de conduits, contrôlez pour toute accumulation de charpie et nettoyez-les. Si vous remarquez une réduction du débit d'air ou une chute du rendement de la sècheuse, vérifiez immédiatement le système de conduits pour toute obstruction et blocage. Communiquez avec un technicien ou un fournisseur de service.

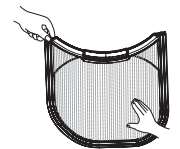
Nettoyage du filtre à charpie



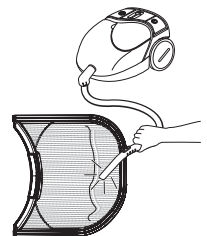
Nettoyez toujours le filtre à charpie après chaque cycle.

Pour le nettoyer, tirez droit vers le haut sur le filtre. Puis :

- 1 Faites une boule de charpie avec vos doigts, ou



- 2 Nettoyez le filtre à charpie avec un aspirateur, ou



- 3 En cas le filtre en peluche est devenu très sale, ou est bouché avec l'assouplissant de tissu, lavez-le dans l'eau chaude et savonneuse et laissez sécher complètement avant d'en réinstaller.



REMARQUE : N'utilisez JAMAIS la sècheuse sans le filtre à charpie en place. NE JAMAIS faire fonctionner la sècheuse avec un filtre à peluches humide.

AVANT D'APPELER LE SERVICE

Votre sècheuse est dotée d'un système de contrôle des erreurs automatique qui détecte et diagnostique les problèmes dès leur apparition. Si votre sècheuse ne fonctionne pas correctement ou ne fonctionne pas du tout, vérifiez les éléments suivants avant d'appeler le service.

Problèmes	Causes possibles	Solutions
La sècheuse refuse de se mettre en marche	<ul style="list-style-type: none"> Le cordon électrique n'est pas correctement branché. Un fusible de maison a grillé, un disjoncteur s'est déclenché, ou il y a une panne de courant. 	<ul style="list-style-type: none"> Assurez-vous que la fiche soit bien enfichée dans une prise mise à la terre correspondante à la plaque signalétique de la sècheuse. Réinitialisez le disjoncteur ou remplacez le fusible. N'augmentez pas la capacité du fusible. Si le problème est un circuit surchargé, faites-le corriger par un électricien qualifié.
Sècheuse ne chauffe pas	<ul style="list-style-type: none"> Un fusible de maison a grillé, un disjoncteur s'est déclenché, ou il y a une panne de courant. Alimentation en gaz fermée ou service coupé (uniquement pour les modèles à gaz). 	<ul style="list-style-type: none"> Réinitialisez le disjoncteur ou remplacez le fusible. N'augmentez pas la capacité du fusible. Si le problème est un circuit surchargé, faites-le corriger par un électricien qualifié. Confirmez l'ouverture de la soupape d'alimentation de la maison et de la soupape de fermeture de l'alimentation en gaz de l'appareil.
Taches grasses ou sales sur les vêtements	<ul style="list-style-type: none"> Assouplisseur mal utilisé. Séchage de vêtements propres et souillés ensemble. 	<ul style="list-style-type: none"> Confirmez et suivez les directives fournies par le fabricant de l'assouplisseur. Assurez-vous de ne sécher que des vêtements propres dans votre sècheuse. En effet, des articles sales peuvent souiller les vêtements propres de la même brassée ou la brassée subséquente. Les taches sur des vêtements secs sont en réalité des taches que le lavage n'a pu retirer correctement. Assurez-vous que les vêtements sont complètement propres en conformité avec les directives de votre machine à laver et votre détergent.
L'afficheur montre le code d'erreur tE1 ou tE2	<ul style="list-style-type: none"> La thermistance est défectueuse. 	<ul style="list-style-type: none"> Éteignez la sècheuse et appelez le service.
Présence de charpie sur les vêtements	<ul style="list-style-type: none"> Le filtre à charpie n'est pas bien nettoyé. Triage incorrect des brassées. Excès d'électricité statique dans les vêtements. Sècheuse surchargée. Papier mouchoir, papier, etc. présent dans les poches. 	<ul style="list-style-type: none"> Assurez-vous que le filtre à charpie est propre avant chaque brassée. Avec certaines brassées qui produisent une quantité élevée de charpie, il sera peut-être nécessaire de nettoyer le filtre en cours de cycle. Certains tissus produisent de la charpie (comme une serviette de coton blanche pelucheuse) et devraient séchés séparément des vêtements qui attirent la charpie (comme une paire de pantalon de lin noir). Consultez la rubrique <i>Électricité statique excessive dans les vêtements après du séchage</i> plus bas. Divisez les grosses brassées de lessive en brassées plus modestes pour le séchage. Vérifiez soigneusement les poches avant la lessive et le séchage des vêtements.
Électricité statique excessive dans les vêtements après du séchage	<ul style="list-style-type: none"> Aucun assouplisseur utilisé ou assouplisseur utilisé incorrectement. Les vêtements ont séché trop longtemps (excès de séchage). Séchage de tissus synthétiques, infroissables, ou fait de mélanges de fibres synthétiques. 	<ul style="list-style-type: none"> Utilisez un assouplisseur pour réduire l'électricité statique. Assurez-vous de suivre les directives du fabricant. Le séchage excessif d'une brassée de lessive peut provoquer l'accumulation d'électricité statique. Réglez les paramètres et utilisez un temps de séchage plus court ou utilisez les cycles SÉCHAGE À CAPTEUR (SENSOR DRY) Ces matières peuvent favoriser l'accumulation d'électricité statique. Essayez d'utiliser un assouplisseur.

DÉPANNAGE

AVANT D'APPELER LE SERVICE (suite)

Problème	Causes possibles	Solutions
Le temps de séchage n'est pas constant	<ul style="list-style-type: none"> Les paramètres de séchage, la taille de la brassée, et le taux d'humidité des vêtements ne sont pas constants. 	<ul style="list-style-type: none"> Le temps de séchage d'une charge varie selon le paramètre de chaleur, le type de chaleur utilisé (électrique, à gaz naturel, ou PL), la taille de la brassée, le type de tissus, le taux d'humidité des vêtements, et la condition du système de conduits et du filtre à charpie.
Les vêtements prennent trop de temps à sécher	<ul style="list-style-type: none"> La brassée est mal triée. Brassée importante de tissus lourds. Mauvais réglage des commandes de séchage. Le filtre à charpie doit être nettoyé. Conduits d'évacuation d'air bloqués, sales, ou le conduit est trop long. Un fusible de maison grillé, un disjoncteur s'est déclenché, ou il y a une panne de courant. Sécheuse surchargée. Sécheuse avec charge insuffisante. 	<ul style="list-style-type: none"> Séparez les articles plus lourds des articles plus légers. Les articles plus grands et lourds prennent plus de temps à sécher. Les tissus lourds retiennent plus d'humidité et sèchent donc plus lentement. Pour aider à réduire et à maintenir les temps de séchage plus constants, séparez les grands articles et les tissus lourds en brassées plus petites de taille consistante. Utilisez les paramètres appropriés pour le type de brassée que vous séchez. Assurez-vous que le filtre à charpie est propre avant chaque brassée. Avec certaines brassées qui produisent une quantité élevée de charpie, il sera peut-être nécessaire de nettoyer le filtre en cours de cycle. Confirmez la bonne configuration du système de conduits et qu'il est exempt de débris, charpie, et d'obstructions. Assurez-vous que la grille à registre ou le clapet s'ouvre correctement et qu'il/elle ne soit pas bloqué(e), bourré(e), ou endommagé(e). Réinitialisez le disjoncteur ou remplacez le fusible. N'augmentez pas la capacité du fusible. Si le problème est un circuit surchargé, faites-le corriger par un électricien qualifié. Divisez les grosses brassées de lessive en brassées plus modestes pour le séchage. Si vous séchez une très petite brassée, ajoutez quelques articles supplémentaires pour garantir un bon culbutage.
Les vêtements sont froissés	<ul style="list-style-type: none"> Les vêtements ont séché trop longtemps (excès de séchage). Les vêtements sont restés trop longtemps dans la sécheuse à la fin du cycle. 	<ul style="list-style-type: none"> Un séchage excessif d'une brassée peut provoquer des plis. Essayez un temps de séchage plus court et retirez les articles alors qu'ils conservent encore un peu d'humidité. Retirez les articles immédiatement à la fin du cycle. Utilisez l'option ANTIFROISSAGE (WRINKLE CARE) pour poursuivre le culbutage des vêtements à la fin du cycle pour une période jusqu'à 3 heures.
Les vêtements ont rétréci	<ul style="list-style-type: none"> Les directives de soin des vêtements n'ont pas été respectées. 	<ul style="list-style-type: none"> Pour éviter le rétrécissement, suivez soigneusement les directives d'entretien des tissus de votre vêtement car certains tissus rétréciront naturellement au lavage. D'autres tissus peuvent se laver sans problème mais rétréciront si séchés dans une sécheuse. Utilisez le paramètre de chaleur basse ou séchage sans chaleur.
L'affichage présente le code erreur PS	<ul style="list-style-type: none"> Branchement du cordon d'alimentation incorrect. 	<ul style="list-style-type: none"> Vérifiez le branchement du cordon d'alimentation au bornier de connexion.

AVANT D'APPELER LE SERVICE (suite)

Problème	Causes possibles	Solutions
Le voyant <i>Add</i> est allumé pendant le cycle de séchage	<ul style="list-style-type: none"> Erreur d'alimentation d'eau. 	<ul style="list-style-type: none"> Vérifiez le tiroir d'alimentation de vapeur : <ol style="list-style-type: none"> (1) Assurez-vous que l'alimentation de vapeur est remplie d'eau jusqu'à la ligne MAX. (2) Assurez-vous que l'alimentation de vapeur est correctement positionnée et que le tiroir est bien fermé. (3) Éteignez la sècheuse et redemarrez le cycle de vapeur. Ne pas utiliser d'eau distillée, la sonde de niveau d'eau dans le générateur de vapeur ne fonctionnera pas La pompe ne fonctionne pas. Débranchez la sècheuse et appelez un dépanneur
Des gouttes d'eau se forment sur l'injecteur au début du Cycle Vapeur	<ul style="list-style-type: none"> C'est normal. 	<ul style="list-style-type: none"> Il s'agit de condensation de vapeur d'eau. L'eau cessera rapidement de goutter.
La vapeur n'est pas générée, mais aucun code d'erreur ne s'affiche	<ul style="list-style-type: none"> Erreur de niveau d'eau. 	<ul style="list-style-type: none"> Débranchez la sècheuse et appelez un dépanneur.
Les vêtements sont encore froissés après le cycle RAFRAICHVAPEUR^{MC} (STEAM FRESH^{MC})	<ul style="list-style-type: none"> Les vêtements sont en trop grand nombre dans la sècheuse ou bien ils sont trop différents les uns des autres. 	<ul style="list-style-type: none"> Les meilleurs résultats sont obtenus avec de petites charges de 1 à 5 articles. Mettez moins d'articles dans la sècheuse. Mettez des vêtements similaires.
Les plis ne sont plus visibles sur le vêtements après un cycle de STEAM FRESH^{MC}	<ul style="list-style-type: none"> Ce cycle a pour but d'éliminer les froissements du tissu. 	<ul style="list-style-type: none"> Utiliser un fer à repasser pour marquer les plis.
Les vêtements sont encore chargés d'électricité statique après utilisation de la fonction RÉDUIT L'ELECTRICITE STATIQUE (REDUCE STATIC)	<ul style="list-style-type: none"> C'est normal. 	<ul style="list-style-type: none"> Cela dépend du taux d'humidité de la peau de chacun.
Les vêtements sont trop secs ou trop humides après utilisation de la fonction RÉDUIT L'ELECTRICITE STATIQUE (REDUCE STATIC)	<ul style="list-style-type: none"> Les options de séchage n'ont pas été correctement sélectionnées. 	<ul style="list-style-type: none"> Sélectionnez manuellement le poids de la charge avant de débiter l'option RÉDUIT L'ELECTRICITE STATIQUE (REDUCE STATIC).
Les vêtements ne sont pas uniformément humides après un cycle REPASSAGE FACILE (EASY IRON)	<ul style="list-style-type: none"> La sélection du nombre de vêtements ou de la charge n'a pas été correctement effectuée au début du cycle. 	<ul style="list-style-type: none"> Sélectionnez le nombre de vêtements ou la charge appropriée avant de lancer le cycle.

DÉPANNAGE

AVANT D'APPELER LE SERVICE (suite)

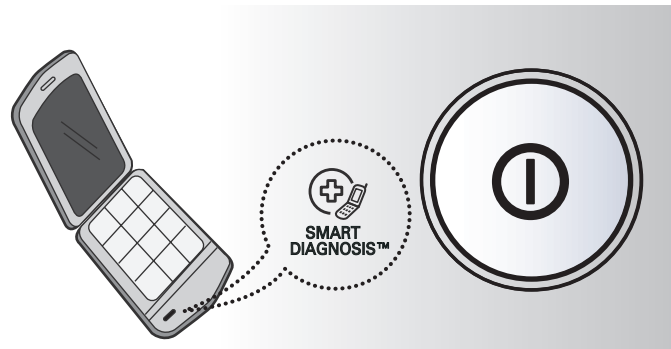
Problème	Causes possibles	Solutions
Des gouttes d'eau coulent le long de la porte pendant un cycle Steam Cycle (Cycle à vapeur)	<ul style="list-style-type: none"> C'est normal. 	<ul style="list-style-type: none"> De la condensation doit normalement se constituer sur le côté intérieur de la porte du séchoir (sècheuse) durant l'opération vapeur. Quelques gouttes de condensation peuvent s'écouler au bas de la porte.
La vapeur n'est pas visible pendant le Cycle Vapeur.	<ul style="list-style-type: none"> C'est normal. 	<ul style="list-style-type: none"> La vapeur est difficilement visible lorsque la porte est fermée. Toutefois, la condensation doit normalement se constituer sur le côté intérieur de la porte du séchoir (sècheuse), lorsque le système vapeur fonctionne normalement.
Le tambour ne tourne pas pendant le Cycle Vapeur.	<ul style="list-style-type: none"> C'est normal. 	<ul style="list-style-type: none"> Le tambour est arrêté pour y maintenir la vapeur d'eau. Le tambour tourne normalement pendant 2 secondes toutes les minutes.
Pas de vapeur d'eau visible au début du cycle.	<ul style="list-style-type: none"> C'est normal. 	<ul style="list-style-type: none"> La vapeur est libérée à différentes étapes du cycle pour chaque option.
L'affichage indique CHARGE VOLUMINEUSE <i>big</i>.	<ul style="list-style-type: none"> Touche TEMPS+ (MORE TIME) est enfoncée. 	<ul style="list-style-type: none"> Cet affichage indique que l'option vapeur a été définie pour un article "grand" comme un édredon. Appuyez sur le bouton LESS TIME pour réduire la charge indiquée.
Le dessus de la sècheuse est très chaud.	<ul style="list-style-type: none"> C'est normal. 	<ul style="list-style-type: none"> Le dessus de la sècheuse devient chaud pendant les fonctions Vapeur.
Des odeurs subsistent sur les vêtements après un cycle STEAM FRESH^{MC}.	<ul style="list-style-type: none"> STEAM FRESH^{MC} n'élimine pas complètement les odeurs. 	<ul style="list-style-type: none"> Les tissus ayant une forte odeur doivent être lavés dans un cycle normal.
Le voyant FLOW SENSE est allumé pendant le cycle de séchage	<ul style="list-style-type: none"> Le conduit d'évacuation est trop long ou comporte trop de coudes. Le conduit d'évacuation est complètement bloqué par l'accumulation de charpie ou de débris. L'appareil a détecté une restriction dans le sècheur externe de ventilation. 	<ul style="list-style-type: none"> Installer un tuyau d'évacuation plus court ou plus droit. Voir les instructions d'installation. Le conduit d'évacuation devrait être vérifié/nettoyé immédiatement afin de retirer les accumulations de charpie et autres matières. La sècheuse peut être utilisée, mais son efficacité et ses performances seront considérablement réduites. Si le système FLOWS ENSE ressent des restrictions d'évacuation, le témoin restera allumé pendant deux heures après la fin du cycle. Pour éteindre cet affichage, ouvrez la porte ou appuyez sur le bouton POWER.

UTILISATION DE SMARTDIAGNOSIS^{MC}

- Utilisez cette fonction uniquement selon les instructions du centre d'appels. Le son de la transmission ressemble à celui d'un télécopieur et seul le centre d'appels peut l'interpréter.
- SmartDiagnosis^{MC} ne peut être activé que si le sècheuse n'est pas sous tension. Dans ce cas, la détection des pannes doit être effectuée sans SmartDiagnosis^{MC}.

En cas d'incident avec votre sècheuse, appelez le 1-800-243-0000(1-888-542-2623 au Canada). Suivez les instructions communiquées par l'agent du centre d'appels et exécutez les étapes suivantes à la demande de l'agent :

- 1 Appuyez sur la touche POWER (Marche/Arrêt) pour mettre le sècheuse en marche. N'appuyez sur aucun autre bouton et ne tournez pas sélecteur de cycle.
- 2 À la demande du centre d'appels, placez le microphone de votre téléphone le près possible du bouton POWER.

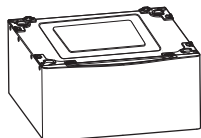


- 3 Appuyez et maintenez enfoncé le bouton TEMP. CONTROL pendant trois secondes tout en maintenant le microphone du téléphone sur l'icône ou sur le bouton POWER.
- 4 Maintenez le téléphone en place jusqu'à la fin de la transmission des données. Cette opération peut prendre environ 15 secondes et l'affichage marque ce temps par un compte à rebours.
 - Pour un meilleur résultat, ne bougez pas le téléphone pendant la transmission.
 - Si l'agent du centre d'appels n'est pas en mesure d'obtenir un enregistrement précis des données, celui-ci peut vous demander de recommencer.
 - Appuyer sur le bouton POWER durant la transmission, coupe la fonction SmartDiagnosis^{MC}.
- 5 À l'issue du compte à rebours et une fois les tonalités terminées, reprenez votre conversation avec l'agent du centre d'appels, l'agent est maintenant en mesure de vous assister en se basant sur les informations transmises pour analyse au centre d'appels.

ACCESSOIRES EN OPTION

ACCESSOIRES EN OPTION

Pour ces produits LG et les autres, contactez votre détaillant LG local ou visitez notre site Internet au www.lg.com



Piédestal

Donnez à votre machine à laver et sècheuse LG un coup de pouce grâce aux piédestaux de 14 po. Ils offrent un tiroir de rangement pour une commodité accrue.

Piédestal de 14 po	Couleur
WDP4W	Blanc
WDP4R	Rouge cerise
WDP4S	Titane
WDP4N	Azul Marine



Trousse d'empilage

Si l'espace est restreint, utilisez cette trousse pour empiler de façon sécuritaire votre machine à laver à chargement par l'avant et sècheuse LG.

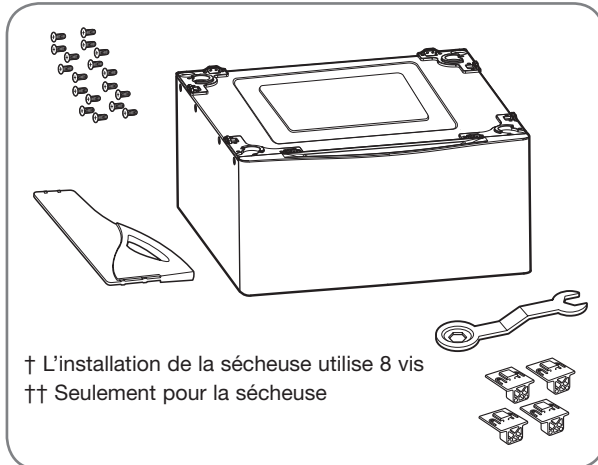
Trousse de support	Couleur
WSTK1	Blanc
RSTK1	Rouge cerise
SSTK1	Titane
NSTK1	Azul Marine

ACCESSOIRES EN OPTION

INSTALLATION DU PIÉDESTAL

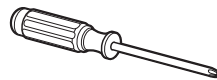
Le piédestal accessoire comprend :

- Diviseur à tiroir (1)
- Clé (1)
- Vis (18) †
- Supports (4) ††



Outils requis pour l'installation :

- Tournevis à tête cruciforme (Phillips)
- Clé (fournie)

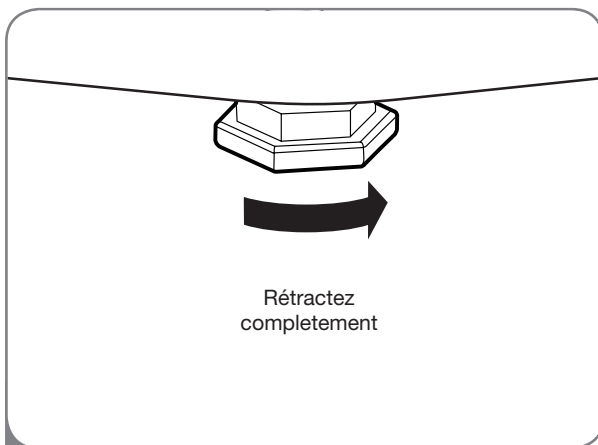


Pour vous assurer que l'installation est sécuritaire et sûre, conformez-vous aux directives suivantes.

⚠ AVERTISSEMENT

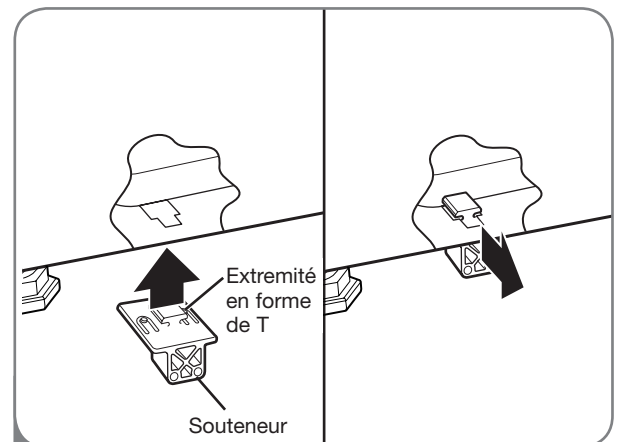
- Une installation incorrecte peut entraîner des accidents graves.
- Les appareils électroménagers sont lourds. Deux personnes ou plus sont nécessaires à une installation sécuritaire du piédestal. Tout non-respect de ces instructions peut entraîner des blessures du dos ou d'autres blessures.
- Ne laissez pas les enfants jouer avec le tiroir. Il fait courir un risque d'étouffement et de blessures.
- Ne marchez pas sur la poignée. Tout non-respect de cet avertissement peut entraîner des accidents graves.
- Si les électroménagers sont déjà installés, débranchez tous les conduits d'alimentation électrique, d'eau, ou de gaz de même que les connexions de vidange ou de ventilation. Tout non-respect de ces instructions peut entraîner une électrocution, un incendie, une explosion ou la mort.
- Portez des gants durant l'installation.

FRANÇAIS



- 1 Pour mettre la sécheuse à la même hauteur que la machine à laver, rétractez complètement les pieds de nivellement de la sécheuse en les tournant dans le sens des aiguilles d'une montre, puis tournez-les 1-1/2 tours contre le sens des aiguilles d'une montre.

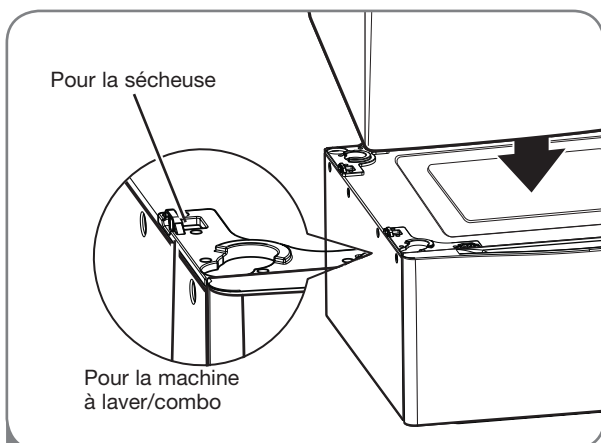
REMARQUE : L'ensemble appareil et piédestal doit être placé sur un plancher solide, robuste et de niveau pour un fonctionnement adéquat.



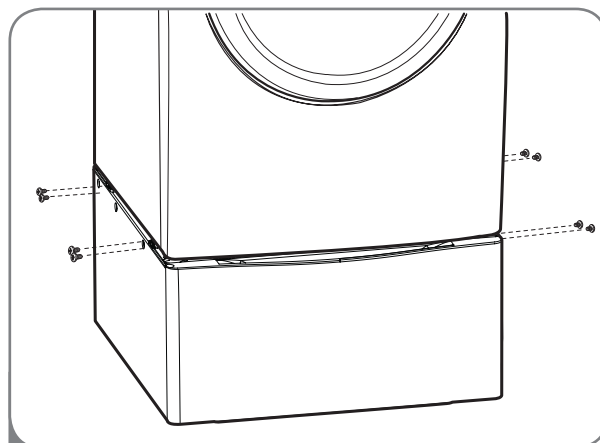
- 2 Insérez l'extrémité en forme de T des 4 souteneurs dans la base de la sécheuse comme illustré. En appuyant sur l'arrière des souteneurs, tirez-les vers l'extérieur pour les fixer en place.

ACCESSOIRES EN OPTION

INSTALLATION DU PIÉDESTAL (suite)

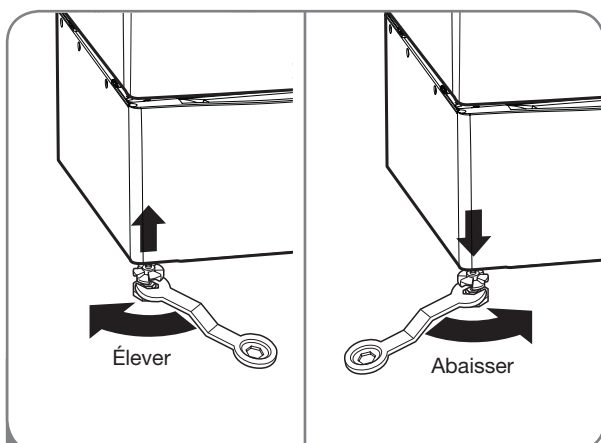


- 3 Positionnez la sècheuse sur le piédestal. Assurez-vous que les pieds à l'avant et à l'arrière de la machine se logent en les positions correctes. Les pieds de la sècheuse se logeront dans les positions les plus intérieures tel qu'illustré.

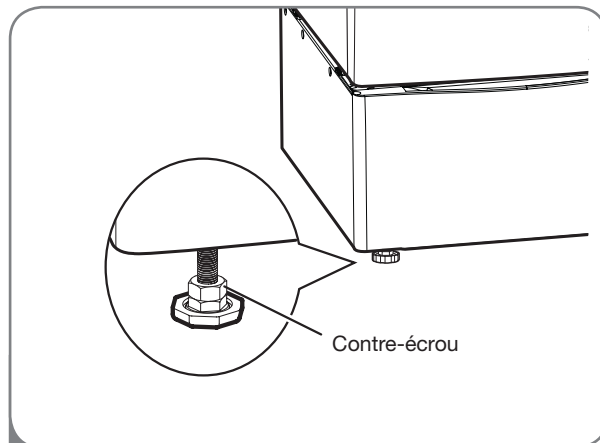


- 4 Assurez-vous que les trous du piédestal sont alignés avec les trous des souteneurs. Insérez et serrez 2 vis à chaque coin pour fixer solidement l'appareil au piédestal.

REMARQUE : Si les supports ne sont pas correctement installés, vous pourriez entendre du bruit et sentir des vibrations. Placez l'appareil à l'endroit désiré.



- 5 Desserrez les les pieds réglables écrous des quatre pieds de nivellement du **piédestal** jusqu'à ce que vous puissiez les tourner avec la clé. Tournez les pieds réglables dans le sens horaire pour élever ou dans le sens antihoraire pour abaisser jusqu'à le piédestal est au niveau et les 4 pieds solidement calées sur le plancher.



- 6 Serrez solidement à la clé les écrous.

REMARQUE : Si les contre-écrous ne sont pas serrés, vous pourriez entendre du bruit et sentir des vibrations.

Assurez-vous de brancher les électroménagers à tous les conduits d'alimentation électrique, d'eau ou de gaz de même qu'aux connexions de vidange ou de ventilation avant de mettre en marche.

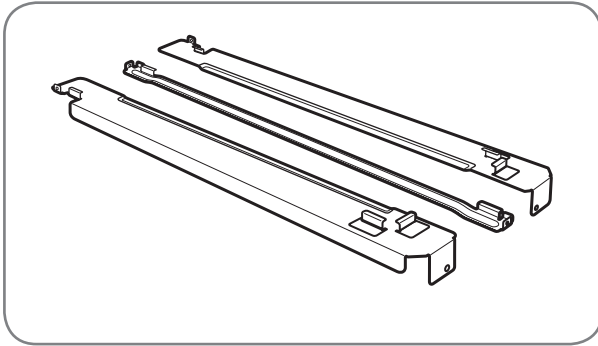
Si la vibration est excessive à la première utilisation après l'installation, ajustez légèrement les pieds de nivellement.

ACCESSORIES EN OPTION

INSTALLATION DE LA TROUSSE D'EMPILAGE

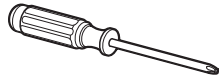
La trousse d'empilage comprend :

- Deux (2) rails latéraux
- Un (1) rail avant
- Quatre (4) vis



Outils requis pour l'installation :

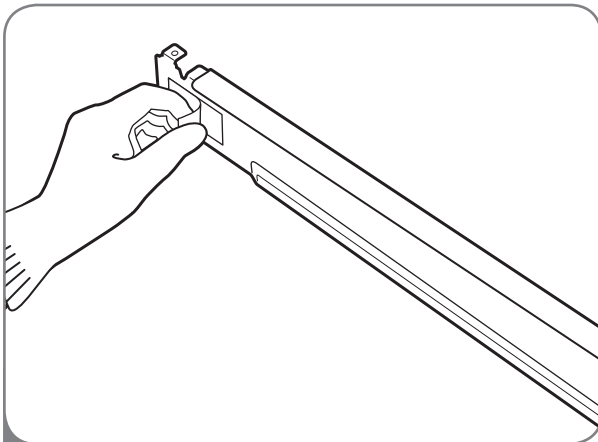
- Tournevis à tête cruciforme (Phillips)



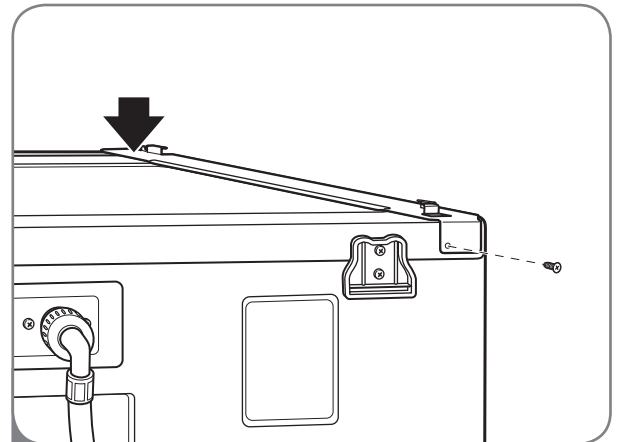
Pour vous assurer que l'installation est sécuritaire et sûre, conformez-vous aux directives suivantes.

⚠️ AVERTISSEMENT

- **Une installation incorrecte peut entraîner des accidents graves.**
- **Le poids de la sècheuse et la hauteur de l'installation rendent la procédure d'empilage trop risquée pour une personne seule. Deux personnes ou plus sont nécessaires à une installation sécuritaire de la trousse d'empilage.** Tout non-respect de ces instructions peut entraîner des blessures du dos ou d'autres blessures.
- **N'utilisez pas la trousse d'empilage avec une sècheuse au gaz lorsque les conditions sont potentiellement instables, par exemple dans une maison mobile.** Tout non-respect de cet avertissement peut entraîner des accidents graves.
- **Placez la machine à laver sur un plancher solide, stable, et de niveau pour qu'elle supporte sans risque le poids des deux appareils.** Tout non-respect de cet avertissement peut entraîner des accidents graves.
- **Si les électroménagers sont déjà installés, débranchez tous les conduits d'alimentation électrique, d'eau, ou de gaz de même que les connexions de vidange ou de ventilation.** Tout non-respect de ces instructions peut entraîner une électrocution, un incendie, une explosion, ou la mort.



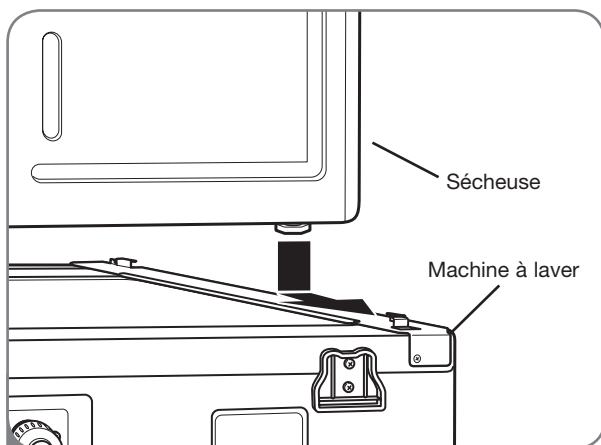
- 1 Assurez-vous que la surface de la machine à laver est propre et sèche. Retirez la pellicule protectrice du ruban de l'un des rails latéraux de la trousse d'empilage.



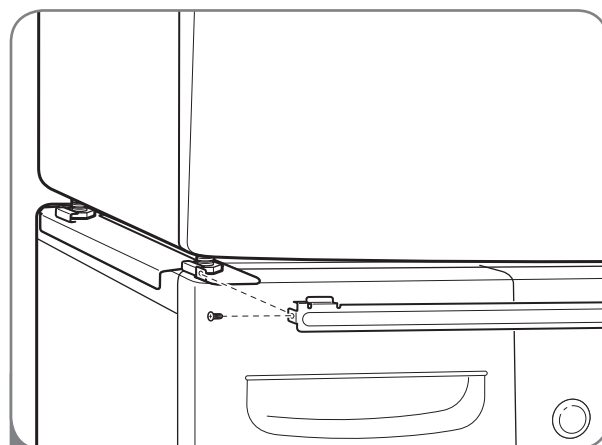
- 2 Adaptez le rail latéral sur le côté de la partie supérieure de la machine à laver tel qu'illustré dans la figure ci-dessus. Appuyez fermement la zone adhésive du rail sur la surface de la machine à laver. Fixez le rail latéral de la machine à laver avec une vis à l'arrière du rail. Répétez les étapes 1 et 2 pour attacher le rail de l'autre côté.

ACCESSOIRES EN OPTION

INSTALLATION DE LA TROUSSE D'EMPILAGE (suite)



3 Placez la sécheuse par-dessus la machine à laver en ajustant les pattes de la sécheuse dans les rails latéraux tel qu'illustré. Évitez les blessures aux doigts. Ne les pincez pas entre la sécheuse et la machine à laver. Glissez lentement la sécheuse vers l'arrière de la machine à laver jusqu'à ce que les butées des rails latéraux coincent les pieds de la sécheuse.



4 Insérez le rail avant entre le bas de la sécheuse et le haut de la machine à laver. Poussez le rail avant vers l'arrière de la machine à laver jusqu'à ce qu'il entre en contact avec les butées du rail latéral. Installez les deux vis restantes pour solidement fixer le rail avant aux rails latéraux.

SPÉCIFICATIONS

SPÉCIFICATIONS ET DIMENSIONS PRINCIPALES

L'apparence et les spécifications détaillées dans ce guide peuvent varier à cause des améliorations constantes apportées au produit.

Modèles de sécheuse	DLEX 2550* DLGX2551* DLEX2450* DLGX2451*
Description	Sécheuse de vapeur
Tension et fréquence exigées*	Voyez la plaque signalétique pour les informations détaillés.
Alimentation en gaz*	NG : 4-10.5 po CE WC PL : 8-13 po CE WC (uniquement les modèles à gaz)
Dimensions	27 po (larg) X 30 po (prof) X 38 ¹¹ / ₁₆ po (haut), 51 po (prof avec porte ouverte) 68,6 cm (larg) X 76,1 cm (prof) X 98,3 cm (haut), 129,7 cm (prof avec porte ouverte)
Poids net	126 lb (57,2 kg)
Capacité de séchage	
- Cycle à normal	CEI 7,3 pi cu. (22,5 lb/10,2 kg)
- Cycle à vapeur	CEI 7,3 pi cu. (8,0 lb/3,6 kg)

*Reportez-vous à la plaque signalétique de votre sécheuse.

LG ELECTRONICS CANADA, INC. GARANTIE LIMITÉE DE LA SÉCHEUSE LG - Canada

GARANTIE : Si votre sècheuse LG (le « produit ») s'avère défectueuse en raison d'un défaut de matériau ou de fabrication lors d'une utilisation normale, pendant la période de garantie spécifiée ci-après, LG Canada réparera ou remplacera à sa discrétion le produit sur réception de la preuve d'achat originale fournie par le détaillant. Cette garantie n'est offerte qu'à l'acheteur original du produit chez un détaillant et ne s'applique qu'à un produit distribué au Canada par LG Canada ou par un distributeur canadien autorisé. La garantie ne s'applique qu'aux produits situés et utilisés au Canada.

PÉRIODE DE GARANTIE : (Remarque : Si la date d'achat originale ne peut être vérifiée, la garantie débutera soixante (60) jours suivant la date de fabrication.)
Sécheuse
Un (1) an à compter de la date d'achat initiale
Pièces et main-d'œuvre (pièces internes fonctionnelles seulement)

- Les produits et pièces de remplacement sont garantis pour la portion restante de la période de garantie originale ou quatre-vingt-dix (90) jours, selon la période la plus longue.
- Les produits et pièces de remplacement peuvent être neufs ou remanufacturés.
- Le centre de service autorisé LG garantit les réparations pendant trente (30) jours.

LA RESPONSABILITÉ DE LG CANADA SE LIMITE À LA GARANTIE CI-DESSUS. SAUF TEL QU'IL EST EXPLICITEMENT INDIQUÉ CI-DESSUS, LG CANADA NE FOURNIT AUCUNE AUTRE GARANTIE ET REJETTE TOUTES LES AUTRES GARANTIES ET CONDITIONS EXPLICITES OU IMPLICITES À L'ÉGARD DU PRODUIT, CE QUI INCLUT, SANS TOUTEFOIS S'Y LIMITER, TOUTE GARANTIE ET CONDITION IMPLICITE DE QUALITÉ MARCHANDE OU DE CONVENANCE À UN USAGE PARTICULIER ET AUCUNE DÉCLARATION NE LIERA LG CANADA. LG CANADA N'AUTORISE PERSONNE À CRÉER NI À ASSUMER AUCUNE AUTRE PROVISION POUR GARANTIES EN RELATION AVEC CE PRODUIT. SI UNE GARANTIE OU CONDITION IMPLICITE EST REQUISE PAR LA LOI, SA PÉRIODE SE LIMITE À CELLE DE LA GARANTIE EXPLICITE SUSMENTIONNÉE. LG CANADA, LE FABRICANT ET LE DISTRIBUTEUR NE POURRONT ÊTRE TENUS RESPONSABLES D'AUCUN DOMMAGE ACCESSOIRE, CONSÉCUTIF, SPÉCIAL, DIRECT OU INDIRECT, D'AUCUNE PERTE D'ACHALANDAGE OU DE PROFITS, D'AUCUN DOMMAGE PUNITIF, EXEMPLAIRE OU AUTRE, DIRECTEMENT OU INDIRECTEMENT ATTRIBUABLE À TOUTE VIOLATION CONTRACTUELLE, FONDAMENTALE OU AUTRE, OU À UNE ACTION, UNE OMISSION, UN DÉLIT OU TOUTE AUTRE CHOSE.

La présente garantie vous confère des droits légaux spécifiques. Vous pourriez disposer d'autres droits, suivant les lois provinciales applicables. Toute clause de la présente garantie qui invalide ou modifie une condition ou garantie implicite aux termes d'une loi provinciale est dissociable si elle entre en conflit avec la loi provinciale, et ce, sans affecter les autres clauses de la garantie.

LA PRÉSENTE GARANTIE LIMITÉE NE COUVRE PAS CE QUI SUIT :

1. Un appel de service pour livrer, ramasser ou installer le produit; renseigner un client sur le fonctionnement du produit; réparer ou remplacer des fusibles ou rectifier le câblage ou la plomberie; ou corriger une réparation ou installation non autorisée.
2. La défaillance du produit durant une panne ou interruption de courant ou en raison d'un service électrique inadéquat.
3. Des dommages occasionnés par la fuite ou le bris de conduites d'eau, le gel de conduites d'eau, des tuyaux de drainage restreints, une alimentation en eau inadéquate ou interrompue ou une alimentation en air inadéquate.
4. Des dommages attribuables à l'utilisation du produit dans une atmosphère corrosive ou contraire aux instructions spécifiées dans le manuel d'utilisation du produit.
5. Des dommages au produit causés par un accident, des animaux nuisibles ou des vermines, la foudre, le vent, un incendie, une inondation ou une catastrophe naturelle.
6. Les dommages attribuables à une mauvaise utilisation, une utilisation abusive ou à une installation, une réparation ou un entretien inapproprié du produit. Les réparations inappropriées incluent l'utilisation de pièces ni approuvées ni recommandées par LG Canada.
7. La détérioration ou la défaillance du produit causée par une modification ou un changement non autorisé ou une utilisation autre que celle prévue, ou résultant d'une fuite d'eau occasionnée par une mauvaise installation.
8. La détérioration ou la défaillance du produit causée par un courant ou un voltage électrique incorrect, la non-conformité aux codes de plomberie, une utilisation commerciale ou industrielle, ou l'utilisation d'accessoires, d'éléments ou de produits nettoyants non approuvés par LG Canada.
9. Les dommages causés par le transport et la manipulation, notamment les égratignures, les bosses, les écaillures et/ou tout autre dommage à la finition du produit, à moins que ces dommages ne soient attribuables à des défauts de matériaux ou de fabrication et qu'ils ne soient signalés dans un délai d'une (1) semaine de la livraison.
10. Des dommages ou des pièces manquantes à tout produit exposé, déballé, soldé ou remis à neuf.
11. Des produits dont le numéro de série original a été retiré, modifié ou ne peut être facilement déterminé. Le modèle et le numéro de série, ainsi que le reçu de vente original du détaillant, sont requis pour valider la garantie.
12. L'augmentation des coûts et de la consommation des services publics.
13. Le remplacement des ampoules électriques, des filtres et de toute pièce non durable.
14. Les réparations requises si le produit ne sert pas à une utilisation domestique normale et habituelle (y compris, sans toutefois s'y limiter, une utilisation commerciale, dans un bureau ou un centre récréatif) ou est utilisé contrairement aux instructions spécifiées dans le manuel d'utilisation du produit.
15. Les coûts associés à l'enlèvement du produit de votre résidence aux fins de réparation.
16. L'enlèvement et la réinstallation du produit, s'il est installé à un endroit inaccessible ou contrairement aux instructions d'installation publiées, y compris dans le manuel d'utilisation et le manuel d'installation du produit.
17. Les accessoires du produit, tels que balconnets, les tiroirs, les poignées, les tablettes, etc. Sont également exclues les pièces non incluses initialement avec le produit.

Tous les coûts associés aux circonstances exclues ci-dessus seront assumés par le consommateur.

Pour obtenir tous les détails sur la garantie et accéder au service à la clientèle, téléphonez-nous ou visitez notre site Web :

Composez le 1-888-542-2623 (24 h sur 24, 365 jours par année) et Modèle : sélectionnez l'option de menu appropriée, ou visitez notre site Web au <http://www.lg.ca>

Écrivez vos renseignements de garantie ci-dessous :

Renseignements sur l'enregistrement du produit :

Numéro de série :

Date d'achat :

FRANÇAIS

REMARQUES

REMARQUES

REMARQUES

REMARQUES

REMARQUES

REMARQUES



LG Customer Information Center

1-800-243-0000 USA

1-888-542-2623 CANADA

Register your product Online!

www.lg.com