



# WA422PRHDWR

4.2 cu. ft. VRT™ Top Load Washer

### Features

- 4.2 cu. ft. Capacity\*
- VRT Quiet Operation, Perfect for 2nd Floor Installation
- Diamond Drum™ – For Gentler Washing
- PureCycle™ – A Washer that Cleans Itself
- Direct Drive Motor
- 800 RPM Maximum Spin Speed
- 9 Preset Wash Cycles
- 5 Options

### Convenience

- Add A Garment Option
- End-Of-Cycle Signal
- Delay Start – Up to 19 Hours
- Automatic Dispensers: Main Wash, Bleach, Fabric Softener

### Energy Star Rated:

Rated CEE Tier 3  
MEF=2.4  
WF=3.6  
199 kWh / year



9 Cycles



5 Options

### Signature Features

#### Available Colors



Neat White

#### Bedding

A cycle specifically designed to get large bulky items such as comforters thoroughly clean.

#### Glass Doors / Capacity

More Capacity Fits more wash – so you can do fewer loads Our super 4.2 cu. ft. capacity top-load washer easily handles 2.2 laundry baskets full of clothes.

#### PureCycle™

##### A washer that cleans itself

Clean your drum with the touch of a button to ensure a fresh, clean drum without detergent.



Ranked **“Highest in Customer Satisfaction with Clothes Washers”** by J.D. Power and Associates. \*\*

\*\* Samsung received the highest numerical score for clothes washers (2009-2010) and dryers (2008-2010) in the proprietary J.D. Power and Associates Laundry Appliance Studies™. 2010 study based on 10,344 total responses measuring 17 brands and measures opinions of consumers who purchased their washer or dryer from a retail store or their new-home builder during the previous 24 months. Proprietary study results are based on experiences and perceptions of consumers surveyed in March-April 2010. Your experiences may vary. Visit [jdpower.com](http://jdpower.com).

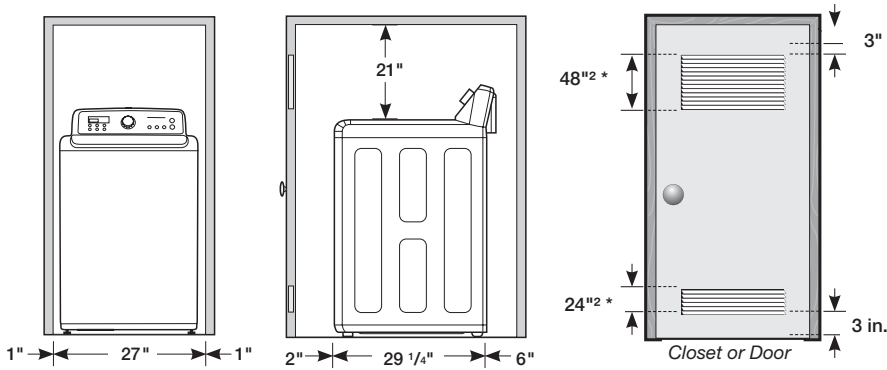


# WA422PRHDWR

## 4.2 cu. ft. VRT™ Top Load Washer

### Installing your washer

#### Alcove or closet installation



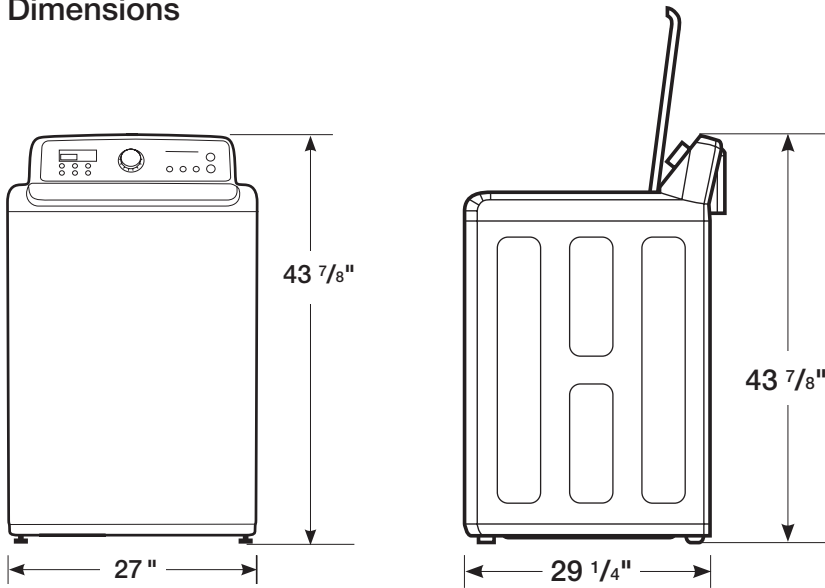
#### Minimum clearances for closets and alcove:

- Sides - 1"
- Top - 21"
- Rear - 6"
- Closet Front - 2"

If the washer and dryer are installed together, the closet front must have at least a 72 in<sup>2</sup> (465cm<sup>2</sup>) unobstructed air opening. Your washer alone does not require a specific air opening.

\* Required spacing  
\*\* External exhaust elbow requires additional space.

### Dimensions



#### Fabric Care

##### 9 Preset Wash Cycles

Normal, Heavy Duty, Permanent Press, Bedding Bedding, Delicates/Handwash, Quick Wash, Pure Cycle, Rinse+Spin, Spin Only

##### 5 Options

Delay Start-Up to 19 Hours, My Cycle, Pre Soak, Extra Rinse, Garment+

##### 5 Temperature Settings

Hot, Warm, Eco Warm, Cold, Tap Cold

##### 3 Spin Speeds

Extended, Normal, No Spin

##### 3 Soil Levels

Heavy, Normal, Light

##### 2 Signal Sound Levels:

On, Off

#### Warranty

- One (1) Year All Parts and Labor
- Two (2) Years Control Board
- Three (3) Years Stainless Steel Tub
- Ten (10) Years Motor

#### Product Dimensions + Weight

Dimensions: (WxHxD) 27" x 43 7/8" x 29 1/4"  
Weight: 120 lbs / 55 kg

#### Shipping Dimensions + Weight

Dimensions: (WxHxD) 29 1/2" x 46 1/2" x 31"  
Weight: 131.7 lbs / 60 kg

Color	Model #	UPC Code
Neat White	WA422PRHDWR	036725590397

#### Matching Dryer (Electric/Gas)

Neat White	DV422EWHDR	036725590403
Neat White	DV422GWHDR	036725590410

\*3.86 cu. ft. measured as per Department of Energy

Actual color may vary. Design, specifications, and color availability are subject to change without notice. Non-metric weights and measurements are approximate.

©2012 Samsung Electronics America, Inc. 85 Challenger Road Ridgefield Park, NJ 07660. Tel: 800-SAMSUNG www.samsung.com. Samsung is a registered trademark of Samsung Electronics Co. Ltd.