

GCWP1800D/1805D GE® 3.7 DOE cu. ft. capacity ExtrAction™ basket

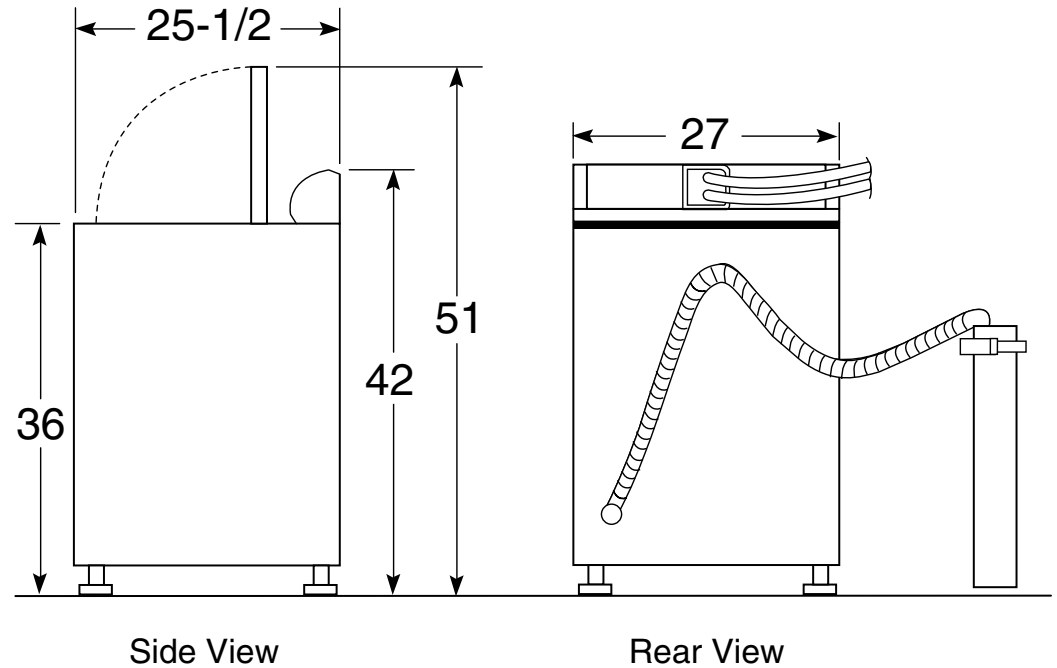
Dimensions and Installation Information (in inches)

Circuit Requirements: An individual, properly-grounded branch circuit, with a three-prong grounding-type receptacle, protected by a 15 or 20 amp circuit breaker or a time-delay fuse, is required.

Electrical Rating: 115V, 60Hz, 10A

Note: Washer wall outlet must be located within 36" of service code entry. Wall outlet must not be located behind dryer.

Installation Information: Before installing, consult installation instructions packed with product for current dimensional data.



For answers to your Monogram®, GE Profile™ or GE® appliance questions, visit our website at geappliances.com or call GE Answer Center® service, 800.626.2000.



GCWP1800D/1805D

GE® 3.7 DOE cu. ft. capacity ExtrAction™ basket

Features and Benefits

- Dual-Action agitator provides gentle, dual-wash action
- ExtrAction ribbed basket removes more moisture than smooth baskets
- Rotary electromechanical controls make it simple to set cycles
- 12 wash cycles handle various fabrics and soils
- 4 water levels—select water level based on load size
- Bleach and fabric softener dispensers automatically operate with wash cycle
- 630-RPM spin speed—fast spin speeds remove water efficiently and minimize dry times
- Model GCWP1800DWW – White on white
- Model GCWP1805DCC – Bisque on bisque

