



Model No:
1163U
Professional Series
 UNDERMOUNT SINK

www.oliverisinks.com

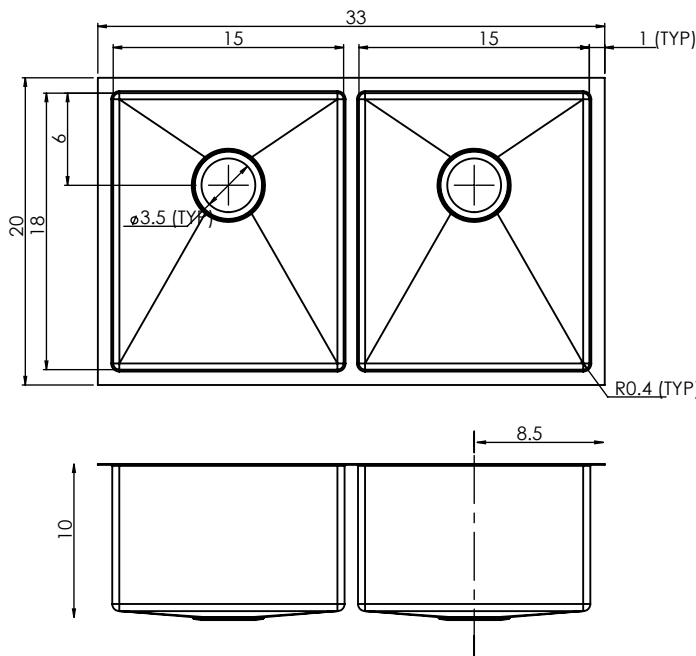


18/10
 STAINLESS
 STEEL

16
 GAUGE



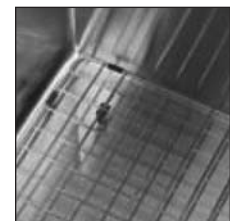
Model No: **1163U**
 DIMENSIONS



INCLUDED
 ACCESSORIES



Basket Waste x 2



Basin Protectors x 2

| MATERIAL | CONSTRUCTION | SHIPPING WEIGHT | INSTALLATION METHOD | CABINET |
|--|--|------------------|--|----------------|
| Stainless Steel 304 Grade 16 Gauge | Fabricated bowl with 1/2" (10mm) internal radius corners | (Packed) 40lb | Designed to be undermounted into a counter | Minimum 36" |



Head Office
 Tasman Sinkware Pty Ltd
 51 Naweena Rd, Regency Park
 South Australia, 501
 AUSTRALIA

North America
 1230 Railroad St
 Corona CA 92882
northamerica@oliverisinks.com

This sink is fabricated by a
 partner supplier according to
 Tasman Sinkware's specifications
 and quality standards