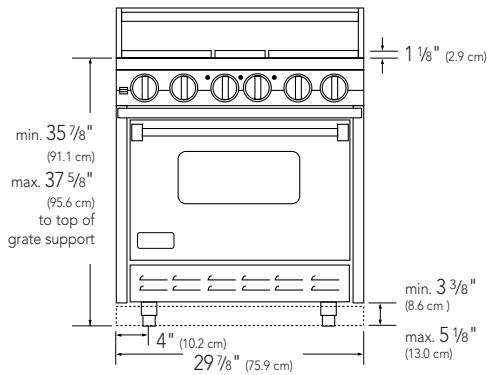
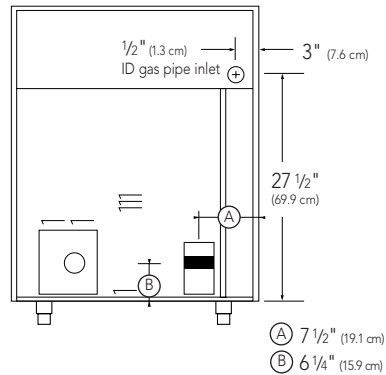


VDSC dual fuel 30" wide sealed burner range – dimensions

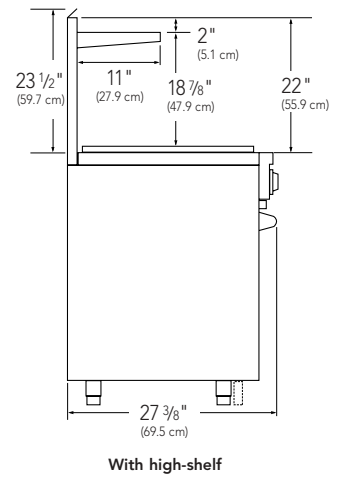
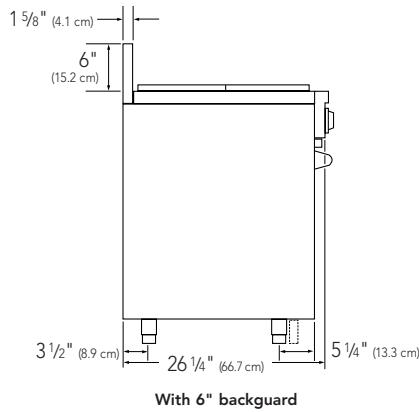
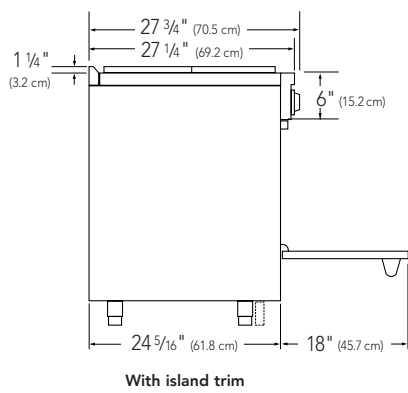
Front



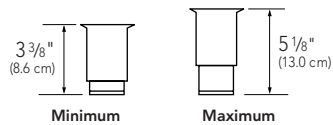
Rear



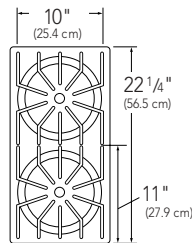
Side



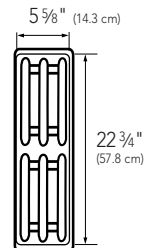
Adjustable legs



Surface burners



Center grate



Basic specifications

Description	VDSC DUAL FUEL 30" WIDE SEALED BURNER RANGE
	VDSC307
Overall Width	29 7/8" (75.9 cm)
Overall Height from Bottom	<p>Base Height To top of grate support – min. 35 7/8" (91.1 cm) to max. 37 5/8" (95.6 cm); legs adjust 1 3/4" (4.5 cm)</p> <p>Additions to Base Height To top of spider grate – add 1 1/8" (2.9 cm), to top of island trim – add 1 1/4" (3.2 cm), to top of 6"H. backguard – add 6" (15.2 cm), to top of 10"H. backguard – add 10" (25.4 cm), to top of high-shelf – add 23 1/2" (59.7 cm)</p>
Overall Depth from Rear	To end of side panel – 24 5/16" (61.8 cm), to end of control panel – 26 1/4" (66.7 cm), to end of knobs – 27 3/4" (70.5 cm)
Gas Requirements	Shipped natural gas standard; field convert to LP/Propane with standard convertible regulator; accepts standard residential 1/2" (1.3 cm) ID gas service line
Electrical Requirements	240 – 208/120VAC/60Hz; Electrical connection box on product; connect with locally supplied 3-wire, flexible cord rated 40 amp; 125/250VAC minimum; must be agency-approved for use with household electric ranges*
Maximum Amp Usage	240V – 4160 watts; 17.3 amps 208V – 3120 watts; 15.0 amps
Surface Burner Rating	15,000 BTU NAT./13,500 BTU LP (4.4 kW NAT./4.0 kW LP)
Broil Burner Rating	Maxi-Broil – 8-pass: 240V – 3,000 watts; 208V – 2,250 watts; Mini-Broil – 4-pass: 240V – 1,250 watts; 208V – 940 watts
Bake Rating (partial power from broil element)	240V – 2,935 watts; 208V – 2,205 watts
Convection Cook Rating	240V – 2,200 watts; 208V – 1,650 watts
Oven Interior Dimensions	<p>Convection Bake/Broil Oven Width – 23" (58.4 cm); Height – 16 1/8" (40.0 cm); Depth – 15 3/8" (39.1 cm); Overall Size – 3.3 cu. ft.; Three racks, six rack positions</p>
Approximate Shipping Weight (with backguard)	424 lb. (190.8 kg)

*Canada model ☐ VDSC has factory-installed, agency-approved 4 ft. power cord – 3-wire with ground, 4-prong plug – included.